

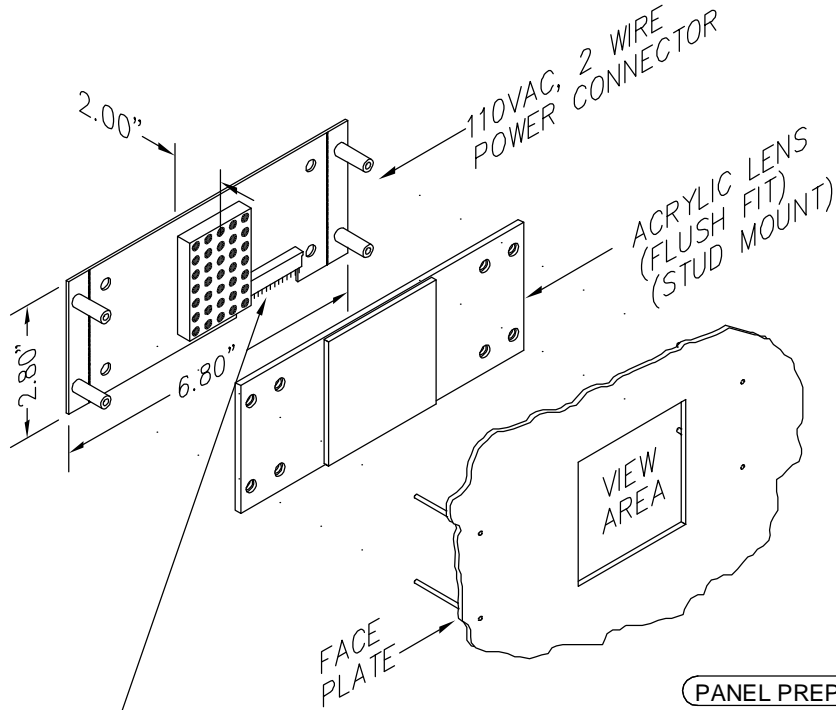


C.E. Electronics, Inc.
 2107 Industrial Drive
 Bryan, OH 43506
 PH (419) 636-6705 FX (419) 636-2516
 www.ceelectronics.com

DH120-X0XXX

Ver. 6 Rel. 08/17/2011

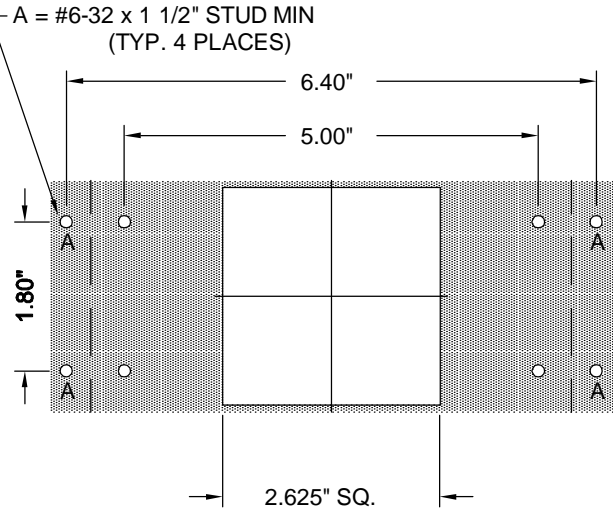
COMPETITOR
 DOT MATRIX



RENEWAL PARTS

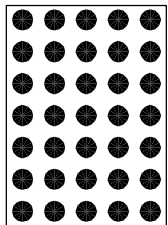
- Lens: 104-3011 RED
- Lens: 104-6019 GRAY
- Lens: 104-9019 BLUE

PANEL PREPARATION



INPUT CONNECTION

8' CABLE SUPPLIED WITH PLUG-IN CONNECTOR SUPPLIED



2" CHARACTER

CUTOUT TOLERANCE: +.020
 - 0.0

DOT MATRIX LED DIGITAL INDICATOR

Dot matrix LED digital indicator for floor position display. Any alphanumeric or custom character can be displayed.

Typical Applications

- Car-OP Panel
- Transom-car or Hall

Features

- Low cost design
- Self contained unit
- Latched input
- Self testing
- 13 inputs
- Passing chime output
- Error detection and correction feature
- UL listed

TO ORDER:-SPECIFY DH120 - X 0 X X X

COLOR:
 "R" = RED
 "A" = AMBER
 "G" = GREEN
 "B" = BLUE
 "W" = WHITE

LENS:
 "R" = RED
 "G" = GRAY
 "B" = BLUE
 "X" = NO LENS

NUMBER OF INPUTS:
 "0" = 13 INPUT OR LESS

SIGNAL VOLTAGE:
 "A" = POSITIVE 6-20VDC, 6-24VAC
 "B" = POSITIVE 24-48VDC, 24-48VAC
 "C" = 120VAC
 "D" = POSITIVE 125VDC
 "E" = NEGATIVE 6-20VDC
 "F" = NEGATIVE 24-48VDC
 "G" = NEGATIVE 125VDC

SIGNAL FORMAT:
 "1" = SINGLE LINE/FLOOR
 "2" = BINARY
 "3" = UNITS & TENS
 "4" = GRAY CODE
 "5" = INVERTED BINARY
 "6" = SPECIAL

NOTE:

1. If a special voltage is required, please consult factory.