

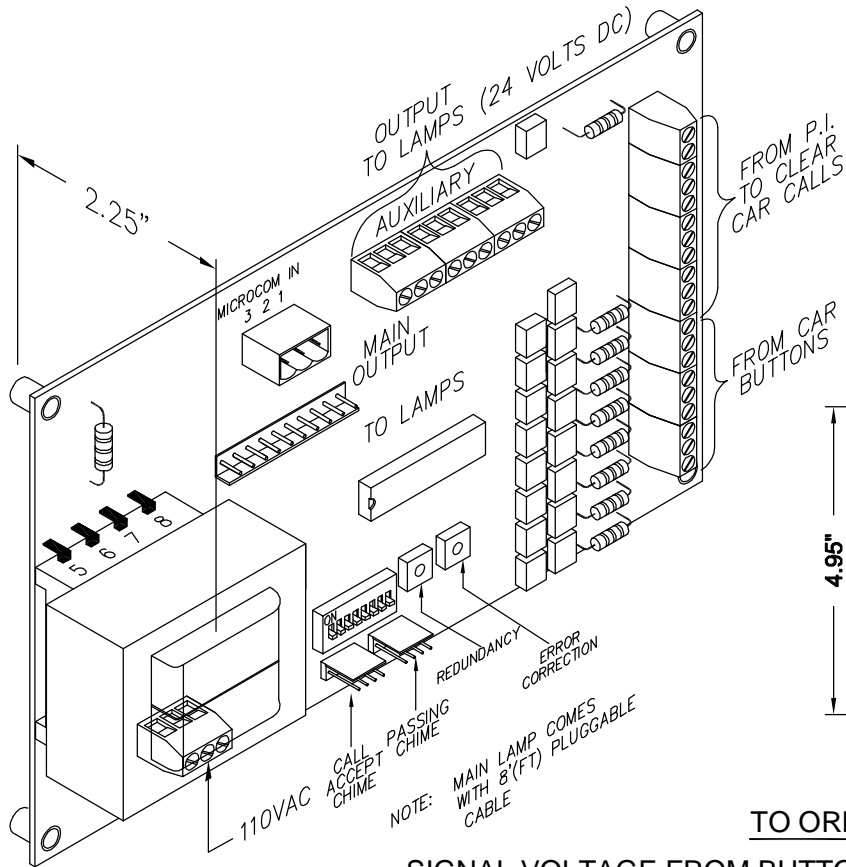


C.E. Electronics, Inc.
 2107 Industrial Drive
 Bryan, OH 43506
 PH (419) 636-6705 FX (419) 636-2516
 www.ceelectronics.com

COPLD1-XXXXXX

Ver. 2 Rel. 04/07/09

ACCESSORIES

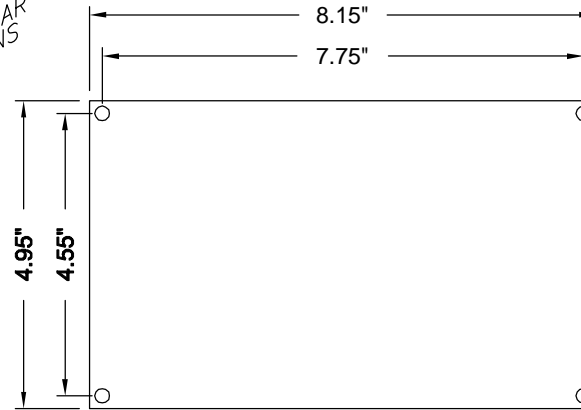


C.O.P. LAMP DRIVER

The C.O.P. Lamp driver was designed to illuminate the pushbutton lamps, requiring no extra wiring from the machine room. This unit is offered with a choice of options to include passing chime output and/or call accept chime.

Features

- Easy installation
- Includes 8ft. cable
- Fire key clears all lamps
- Micro processor controlled
- P.I. cancels individual lamp
- Micro Comm input for lamp cancellation
- Conforms to ADA AG 4.10.12(2)
- 8 inputs / 8 outputs main and auxiliary



TO ORDER - SPECIFY COPLD1-XXXXXX

SIGNAL VOLTAGE FROM BUTTON (A-G)
 SIGNAL VOLTAGE FROM P.I. (A-G, M)
 SIGNAL VOLTAGE FROM FIRE KEY (ALL CLEAR) (A-G, X)

"A" = POSITIVE 6-20VAC/DC, 24 VAC
 "B" = POSITIVE 24-48VDC, 48VAC
 "C" = POSITIVE 120VAC
 "D" = POSITIVE 125VDC
 "E" = NEGATIVE 6-20VDC
 "F" = NEGATIVE 24-48VDC
 "G" = NEGATIVE 125VDC
 "M" = MICRO COMM
 "X" = NO SELECTION

(Position Indicator)
 SIGNAL FORMAT:
 "1" = SINGLE LINE / FLOOR
 "2" = BINARY
 "3" = UNITS & TENS
 "4" = GRAY CODE
 "5" = INVERTED BINARY
 "6" = SPECIAL
 "M" = MICRO COMM

OUTPUT VOLTAGE
 "1" = 6VDC
 "2" = 24VDC
 "3" = 28VDC
 "4" = 30VDC

CHIME OUTPUT:
 "A" = PASSING CHIME
 "B" = CALL ACCEPT CHIME
 "C" = BOTH PASSING & CALL ACCEPT CHIMES
 "X" = NO PASSING OR CALL ACCEPT CHIMES

NOTE:
MUST USE
6, 24, 28, 30VDC
LAMPS/LEDS
72ma MAX