

> VS3541-XXXXX DIGITIZED FLOOR ANNUNCIATOR



A . D . A DIGITIZED FLOOR ANNUNCIATOR

The basic system includes up to eighty different messages, with a total message time of 8 minutes. The system can be used as a stand alone or in conjunction with independent position indicators. 16 discrete inputs can be combined to announce messages or floors. If additional floors or messages are needed, consult factory for additional options.

FEATURES:

- > Custom Vocabulary
- > Up to 8 minutes of speech
- > Capable of 80 messages
- > LED Input Indicators
- > Human voice
- > Male or female voices
- > 6-150v AC/DC Inputs
- > Full wave bridge inputs
- > Stand alone or add on to existing P.I.'s
- > Includes sealed mid-range speaker
- > Conforms to ADAAG 4.10.13
- > UL Listed

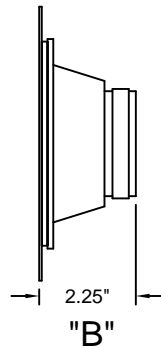
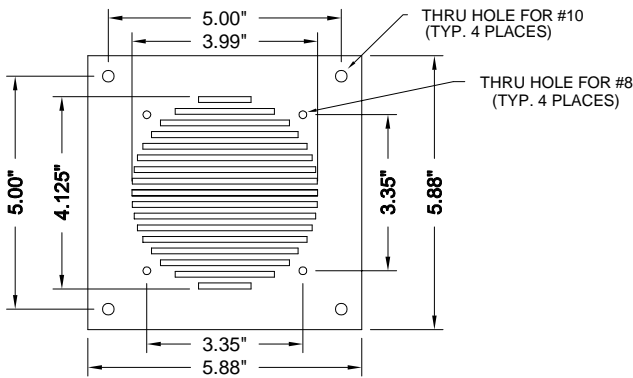
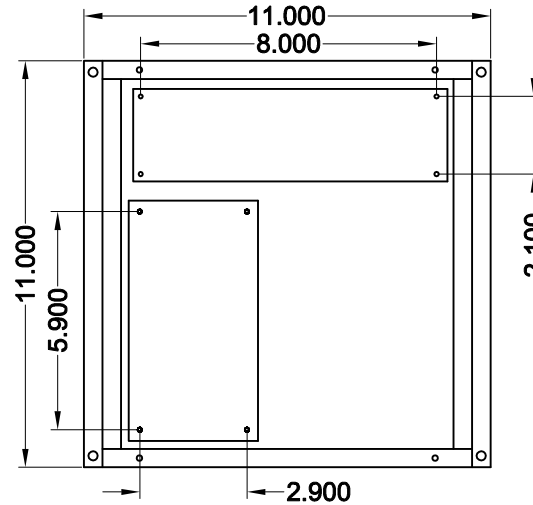
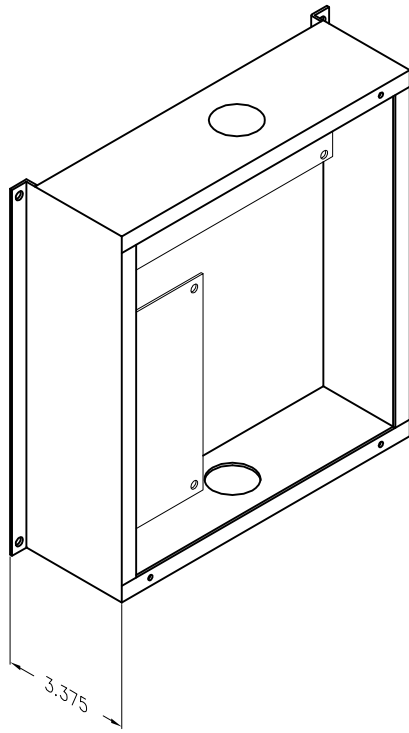


C.E. Electronics, Inc. (US) 2107 Industrial Drive, Bryan, Ohio 43506 p: 419.636.6705 www.cseelectronics.com

C.E. Electronics, Ltd. (UK) P.O. Box 1679 Marlow, Bucks SL7 3ZG, UK p: +44 (0) 1628 487633 www.cseelectronics.co.uk



LISTED



**FOR DIMENSIONAL INFORMATION
 ON SPEAKER "D" & "E"
 CONTACT THE DEALER**

Digitized Floor Annunciator

The basic system includes up to eighty different messages, with a total message time of 8 minutes. The system can be used as a stand alone or in conjunction with independent position indicators. 16 discrete inputs can be combined to announce messages or floors. If additional floors or messages are needed, consult factory for additional options.

Features:

- Custom Vocabulary
- Up to 8 min, of speech
- Capable of 80 messages
- LED input indicators
- Human Voice
- Male or female voices
- 6-150v AC/DC inputs
- Full wave bridge inputs
- Stand alone or add on to existing P.I.'s
- Includes sealed mid-range speaker
- Conforms to ADAAG 4.10.13
- UL listed

TO ORDER - SPECIFY VS3541 - X X X X X

SIGNAL VOLTAGES:

- "A" = 6-20VAC/DC, 24 VAC
- "B" = 24-48VDC, 48VAC
- "C" = 120 VAC
- "D" = 125VDC
- "E" = -6-20VDC
- "F" = -24-48VDC
- "G" = -125VDC

TRANSFORMER:

- <BLANK> = 110VAC only w/BOX & COVER
- "2" = 220VAC only w/BOX & COVER
- "3" = 110VAC only NO BOX & COVER
- "4" = 220VAC only NO BOX & COVER

BUILD:

- "L" = LOCAL SPEAKER MOUNT
- "R" = REMOTE SPEAKER MOUNT * #1 Note

SIGNAL FORMAT:

- "1" = SINGLE LINE/FLOOR*
- "2" = BINARY
- "3" = UNITS & TENS*
- "4" = GRAY CODE
- "5" = INVERTED BINARY
- "6" = SPECIAL

SPEAKER SELECTION:

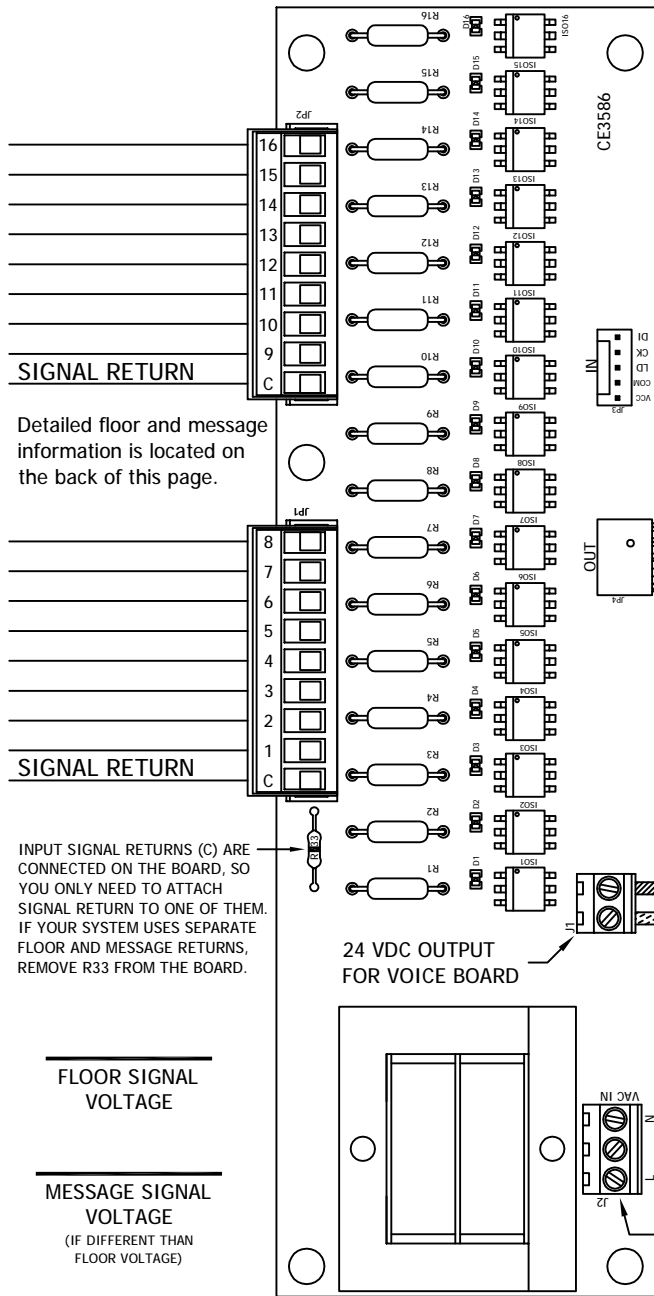
- "B" = 5" DIA. SPEAKER OPTION
- "D" = 3" DIA. WATER RESISTANT SPEAKER
- "E" = 3" DIA. SPEAKER OPTION
- "S" = SPECIAL SPEAKER OPTION
- "X" = NO SPEAKER

NOTES:

1. This digitized voice annunciator (VS3541-XXXXX) **MUST** be mounted within 20' of the speaker or damage will result! C.E. #40040001 matching transformers may be purchased for greater distances - consult the factory.
2. In some applications the MAMMX-X may be needed
3. If a special voltage is required, please consult factory.
- 4.* May need additional decoder boards, please consult factory.

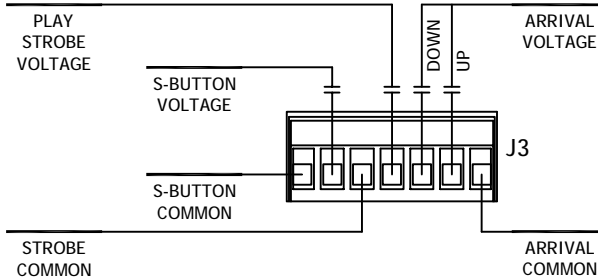
VS3541 VOICE ANNUNCIATOR

JOB# _____

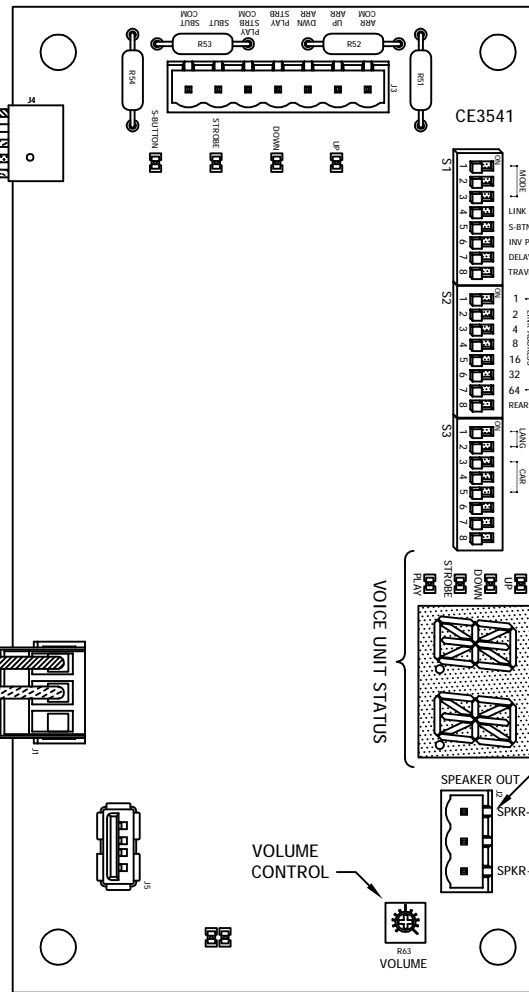


Detailed floor and message information is located on the back of this page.

INPUT SIGNAL RETURNS (C) ARE CONNECTED ON THE BOARD, SO YOU ONLY NEED TO ATTACH SIGNAL RETURN TO ONE OF THEM. IF YOUR SYSTEM USES SEPARATE FLOOR AND MESSAGE RETURNS, REMOVE R33 FROM THE BOARD.



TO ADDITIONAL INPUT BOARDS, IF NEEDED



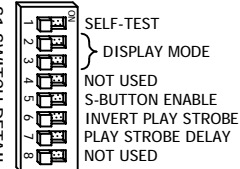
S1 DIP SWITCH SETTINGS

- DS1, DS2, DS3 - MODE SELECT - USE TABLE BELOW TO DETERMINE MODE.
- DS5 - ON = DOESN'T PLAY FLOORS UNLESS THE S-BUTTON IS PRESSED. DIRECTIONS AND MESSAGES STILL PLAY.
- DS6 - ON = PLAYS ON AN ACTIVE LOW STROBE SIGNAL INSTEAD OF AN ACTIVE HIGH SIGNAL.
- DS7 - ON = THE UNIT DELAYS PLAYING UNTIL 900ms AFTER IT RECEIVES THE PLAY STROBE.
- DS4, DS8 - NOT USED

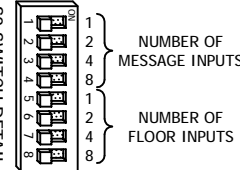
S2 DIP SWITCH - SET FOR TOTAL NUMBER OF MESSAGE AND FLOOR INPUTS. THIS IS A BINARY VERSION OF THE TOTAL NUMBER OF INPUTS MINUS ONE; e.g. 16 INPUTS - 1 = BINARY 15 (ALL FOUR SWITCHES ON).

DS1	DS2	DS3	DISPLAY MODE
OFF	OFF	OFF	NORMAL (SHOW FLOORS)
OFF	OFF	ON	NORMAL (SHOW MESSAGES)
OFF	ON	OFF	STATUS CODE DISPLAY
OFF	ON	ON	CHECKSUM DISPLAY
ON	OFF	X	VOICE SELF-TEST
ON	ON	X	SWITCH TEST

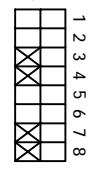
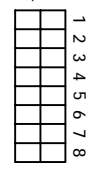
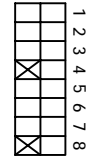
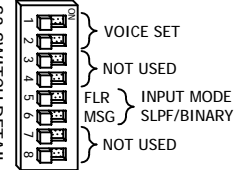
S1 SWITCH DETAIL



S2 SWITCH DETAIL



S3 SWITCH DETAIL



DEFAULT SETTINGS

USE 8-Ω SPEAKER ONLY

NOTE: SPEAKER WIRE LENGTH MUST BE LESS THAN 20 FEET TO PREVENT AMPLIFIER DAMAGE. FOR LENGTHS GREATER THAN 20 FEET, MATCHING TRANSFORMERS MUST BE USED. CONSULT THE REMOTE SPEAKER CONNECTION DIAGRAM FOR WIRING.

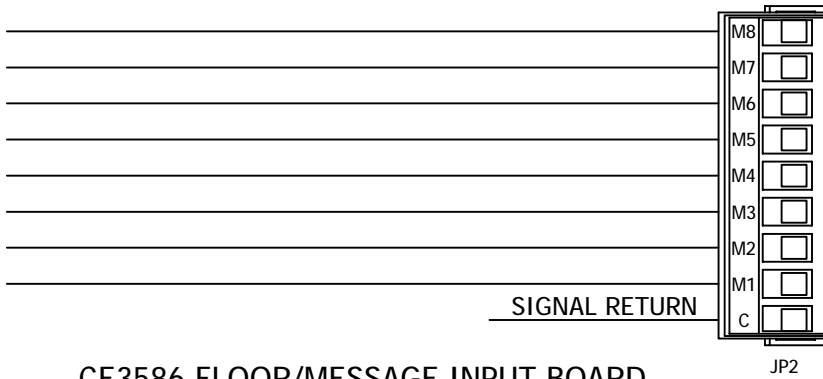
BOARD VERSION CE3541 _____ ARM CODE VERSION _____

FLOORS: _____

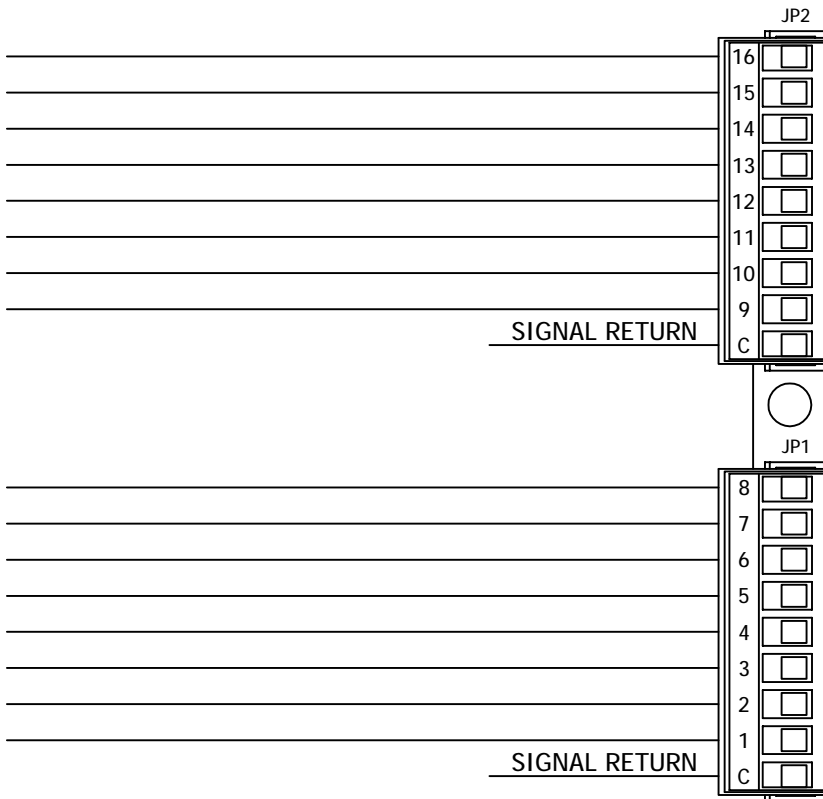
DATE DRAWN: 03/30/11	DRAWN BY: DAC	REQUESTED BY: GE	 C.E. ELECTRONICS, INC. 2107 Industrial Drive Bryan, OH 43506 (419) 636-6705
BOARD NUMBER: 3541	LAST DATE REVISED: 03/10/21	APPROVED BY:	
PRODUCT VOICE ANNUNCIATOR WITH DISCRETE INPUTS			DWG. NO. VS3541_01
			REV: 1

VS3541 VOICE ANNUNCIATOR

CE2135 MESSAGE INPUT BOARD (IF USED)



CE3586 FLOOR/MESSAGE INPUT BOARD CUSTOM FLOOR/MESSAGE LABELS



01111111	01110001	01100011	01010101
01111110	01110000	01100010	01010100
01111101	01101111	01100001	01010011
01111100	01101110	01100000	01010010
01111011	01101101	01011111	01010001
01111010	01101100	01011110	01010000
01111001	01101011	01011101	01001111
01111000	01101010	01011100	01001110
01110111	01101001	01011011	01001101
01110110	01101000	01011010	01001100
01110101	01100111	01011001	01001011
01110100	01100110	01011000	01001010
01110011	01100101	01010111	01001001
01110010	01100100	01010110	01001000

TYPICAL INPUT LABEL DEFINITIONS

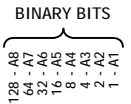
STANDARD PRIORITY MESSAGE INPUT LABELS (TYPICALLY LOCATED ON JP2)

- OS - OUT OF SERVICE
- DO - DOORS OPENING
- DC - DOORS CLOSING
- CB - CODE BLUE
- ME - MEDICAL EMERGENCY
- SS - SEISMIC SENSOR
- IS - INSPECTION SERVICE
- EP - EMERGENCY POWER
- OL - OVERLOAD
- IN - INDEPENDANT SERVICE
- ND - NUDGING
- F2 - FIRE RETURN
- F1 - FIRE RETURN

A1 - A8 = STANDARD BINARY FLOOR INPUTS (TYPICALLY LOCATED ON JP1)

- A8 = HIGHEST BINARY INPUT
- | —
- A1 = LOWEST BINARY INPUT

BINARY FLOOR CHART



01000111	00101111	00010111
01000110	00101110	00010110
01000101	00101101	00010101
01000100	00101100	00010100
01000011	00101011	00010011
01000010	00101010	00010010
01000001	00101001	00010001
01000000	00101000	00010000
00111111	00100111	00001111
00111110	00100110	00001110
00111101	00100101	00001101
00111100	00100100	00001100
00111011	00100011	00001011
00111010	00100010	00001010
00111001	00100001	00001001
00111000	00100000	00001000
00110111	00011111	00000111
00110110	00011110	00000110
00110101	00011101	00000101
00110100	00011100	00000100
00110011	00011011	00000011
00110010	00011010	00000010
00110001	00011001	00000001
00110000	00011000	00000000

DATE DRAWN: 09/02/11	DRAWN BY: DAC	REQUESTED BY: DR	 C.E. ELECTRONICS, INC. 2107 Industrial Drive Bryan, OH 43306 (419) 636-6705
BOARD NUMBER: 3541	LAST DATE REVISED: 11/27/19	APPROVED BY:	
PRODUCT VS3541 FLOOR/MESSAGE INFORMATION			DWG. NO. VS3541_07 REV. B