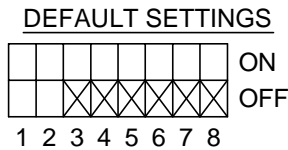
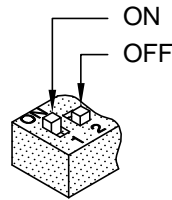
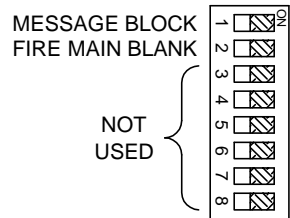
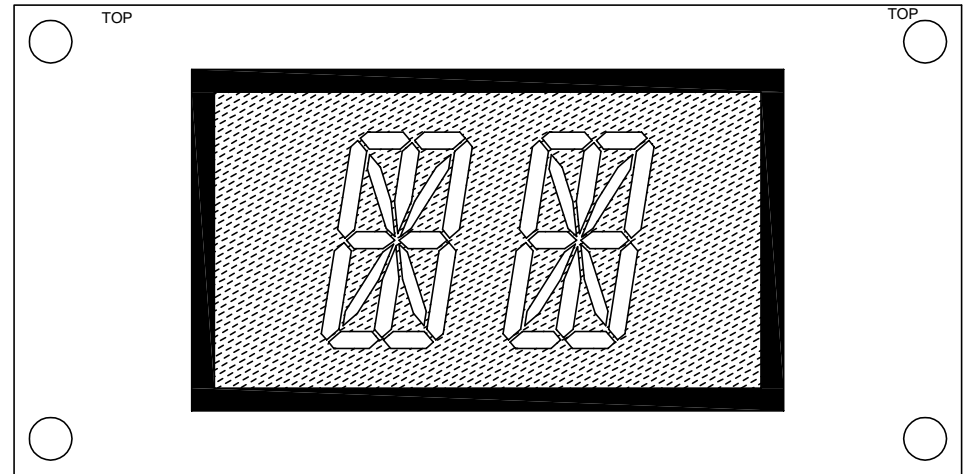
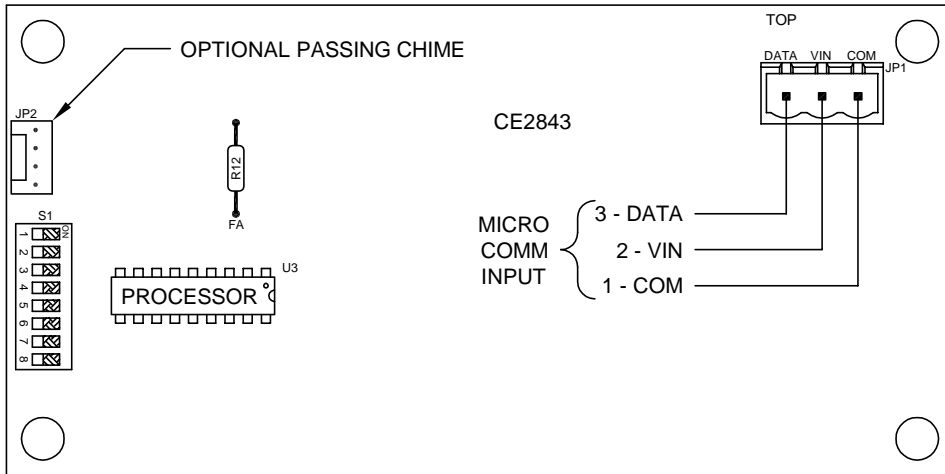


VF312-X

JOB# _____



The Micro Comm driver must be programmed to send messages with the level required to activate the features listed below. Level 0 messages will always be displayed, regardless of DIP switch or resistor settings.

To block level one messages from displaying, turn on DIP switch 1.

To blank the display during a Fire Main (level three) message, turn on DIP switch 2.

To blank the display during a Fire Alternate (level two) message, remove resistor R12 (FA) from the board.

Call Tech Support at 419-636-6705 for more information.

NOTE: MUST BE USED WITH A CLASS 2 POWER SUPPLY.

CODE VERSION _____

BOARD VERSION CE2843 _____

DATE DRAWN: 05/21/08	DRAWN BY: DAC	REQUESTED BY: DV	C.E. ELECTRONICS, INC. 2107 Industrial Drive Bryan, Ohio 43306 (419) 636-6705	
BOARD NUMBER: 2843	LAST DATE REVISED: -	APPROVED BY:		
PRODUCT VF312 - MICRO COMM 1.2" VF DISPLAY			DWG. NO. VF312_01	REV. -