

SECURITY MANAGER

ADD-ON TO THE SECURITY SYSTEM



SECURITY MASTER PROGRAMMER

The Security Manager is an add-on to the Security System in order to make the Security System more flexible and easier to update. The concepts from the Security System carry over to the Security Manager, just with a fresh, new, simpler yet still secure way to add or delete users from the Security System. Comes with software that runs on MS Windows.

FEATURES:

- > Add, Delete Users
- > Change Codes
- > Adjust Timing
- > Copy Memory
- > Paste Memory
- > Upload and View Existing Users
- > USB to RS485 Converter

PRODUCT INCLUDES:

- > SURTX-X
- > Security Manager Software (CD)
- > Security Manager Manual
- > USB Cable
- > RS485 Cable

SURTX-X:



C.E. Electronics, Inc.

Bryan, OH, USA

Ph: (419) 636-6705

www.ceelectronics.com

Marlow, Bucks, UK

Ph: +44 (0) 1628 487633

C.E. Electronics Ltd.

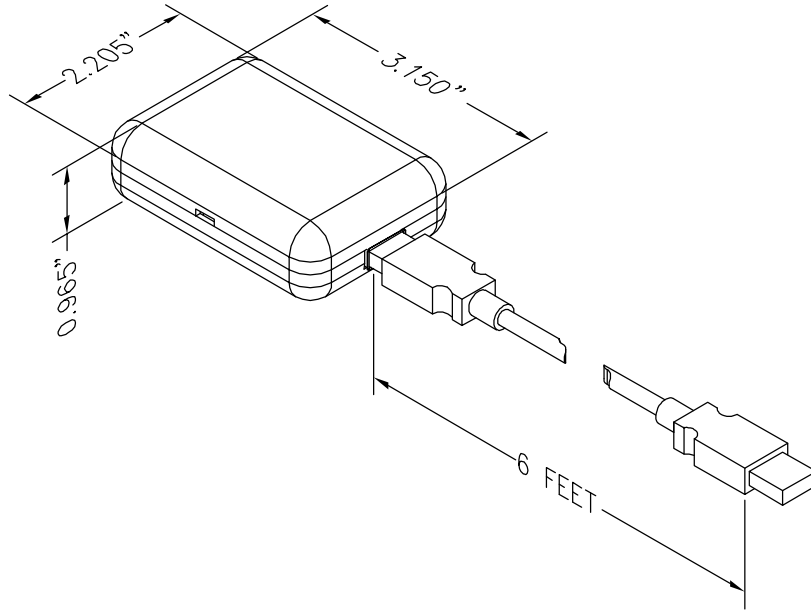


C.E. Electronics, Inc.
 2107 Industrial Drive
 Bryan, OH 43506
 PH (419) 636-6705 FX (419) 636-2516
www.cееlectronics.com

SURXTX

Ver. 1 Rel. 02/11/09

SECURITY
 BUTTON INTERFACE



MASTER PROGRAMMER

The SURXTX is an add-on to the Security system in order to make the Security System easier to update. The concepts from the Security System carry over to the Security Manager with a fresh, simpler and still secure way to add or delete users from the Security System. Comes with software that runs on MS Windows.

Features:

- Add, delete users
- Change codes
- Adjust timing
- Copy Memory
- Paste Memory
- Upload and view existing users
- USB to RS485 converter

TO ORDER - SPECIFY SURXTX

