

TWO-CHANNEL SMART MUX

(ELESC-K2)

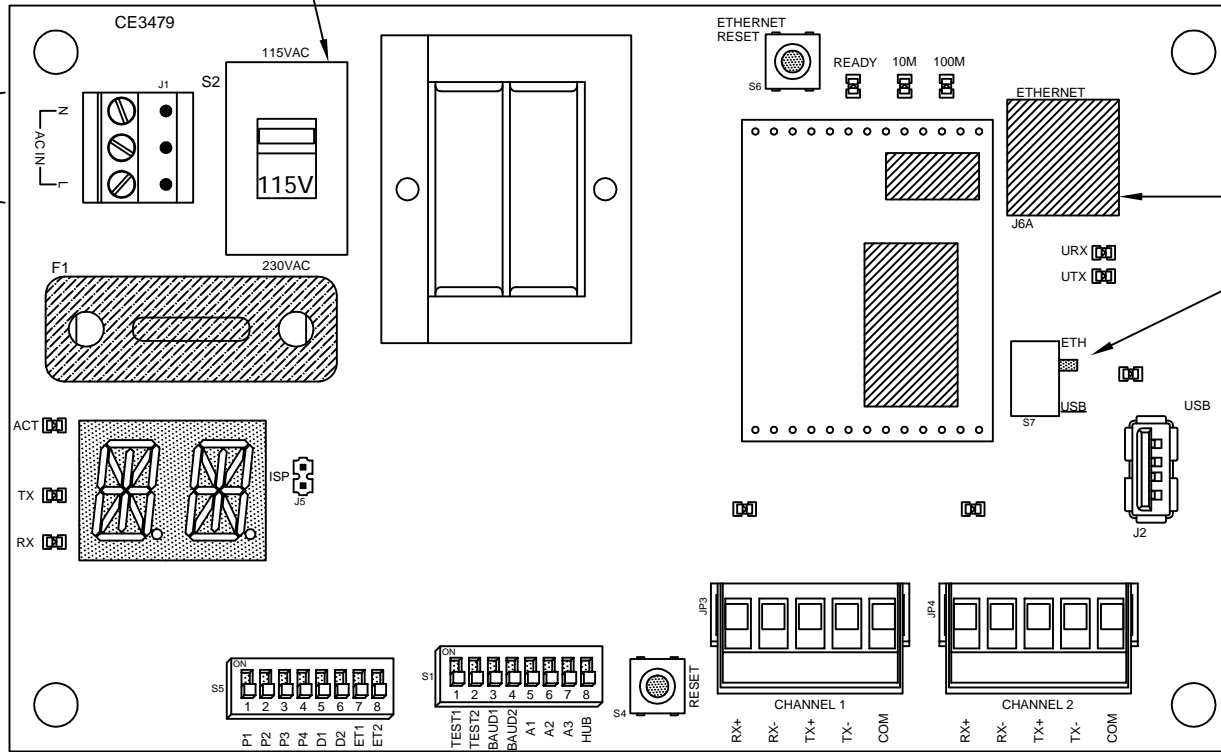
JOB# _____

VOLTAGE SWITCH: SET TO THE CORRECT INPUT VOLTAGE PRIOR TO APPLYING POWER TO THE BOARD

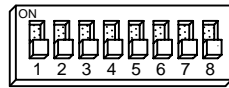
ETHERNET CONNECTION CONNECTS TO CUSTOMER'S 10/100 BaseT NETWORK.
NOTE: CUSTOMER MUST CONFIGURE MODULE IP SETTINGS USING THE SUPPLIED SOFTWARE - SEE CD MANUAL FOR DETAILS.

S7 DEFAULT
 ETH
 USB

LOCAL CONNECTION FROM PC VIA USB CABLE (15 FT. MAX - CABLE NOT INCLUDED)

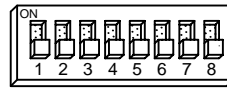


S5 DETAIL



P1 P2 P3 P4 D1 D2 ET1 ET2

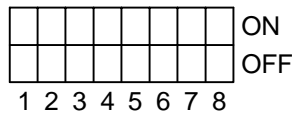
S1 DETAIL



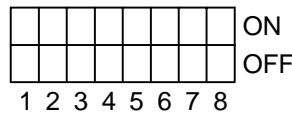
TEST 1
 TEST 2
 BAUD 1
 BAUD 2
 A1 A2 A3
 HUB

CHANNELS 1 AND 2 PROVIDE RS485 CONNECTIONS FOR TWO OTHER DEVICES, TYPICALLY ELITE PI DISPLAYS.

DEFAULT SETTINGS



DEFAULT SETTINGS



CODE VERSION _____

BOARD VERSION CE3479 ____

DATE DRAWN: 04/17/09	DRAWN BY: DAC	REQUESTED BY: TE	C.E. ELECTRONICS, INC. 2107 Industrial Drive Bryan, Ohio 43306 (419) 636-6705
BOARD NUMBER: 3479	LAST DATE REVISED: 12/03/16	APPROVED BY:	
PRODUCT ELESC-K2 - TWO-CHANNEL SMART MUX			DWG. NO. SMARTMUX_03
			REV: A

S1 DIP SWITCH SETTINGS

DIP Switches 1, 2 - Run Mode

DS1 Test1	DS2 Test2	UNIT RUN MODE
OFF	OFF	Normal Operating Mode
ON	OFF	Port/Display Test Mode: Sends out test packets to the Port/Address specified on S5. Display shows "D1" then "OK" for success or "--" for failure.
OFF	ON	Alternating Output Test: Sends an alternating 255 and 0 out to the port (meter checks).
ON	ON	Factory Test Mode: Used at factory for initial board tests.

DIP Switches 3, 4 - Baud Rate

DS3 Baud1	DS4 Baud2	BAUD RATE - NOTE: Elite Pi display and PC Transfer application must also be set to the same baud rate
OFF	OFF	9600
ON	OFF	19200 - Factory Default
OFF	ON	38400
ON	ON	57600

DIP Switches 5, 6, 7, 8 - Board Address

DS5 A1	DS6 A2	DS7 A3	DS8 HUB	ADDRESS - NOTE: The PC Transfer app must also be set to use this address
OFF	OFF	OFF	OFF	Bank 1 - Factory Default
ON	OFF	OFF	OFF	Bank 2
OFF	ON	OFF	OFF	Bank 3
ON	ON	OFF	OFF	Bank 4
OFF	OFF	ON	OFF	Bank 5
ON	OFF	ON	OFF	Bank 6
OFF	ON	ON	OFF	Bank 7
ON	ON	ON	OFF	Bank 8
OFF	OFF	OFF	ON	Hub 1
ON	OFF	OFF	ON	Hub 2

S7 SLIDE SWITCH SETTINGS

Slide Switch S7 selects the active PC Input connection

S7	Active Input Connection
USB	J2 - USB - Connects to PC using a standard USB cable (10-ft. max)
ETH	J6A - ETHERNET - The optional Ethernet board must be installed. The PC uses Network Enabler Administration software for the Virtual Serial Port

S5 DIP SWITCH SETTINGS

DIP Switches 1, 2, 3, 4 - Test Port Address - Selects Port to use for Port Test

DS1 P1	DS2 P2	DS3 P3	DS4 P4	Port Selected
OFF	OFF	OFF	OFF	Channel 1 - JP4
ON	OFF	OFF	OFF	Channel 2 - JP4

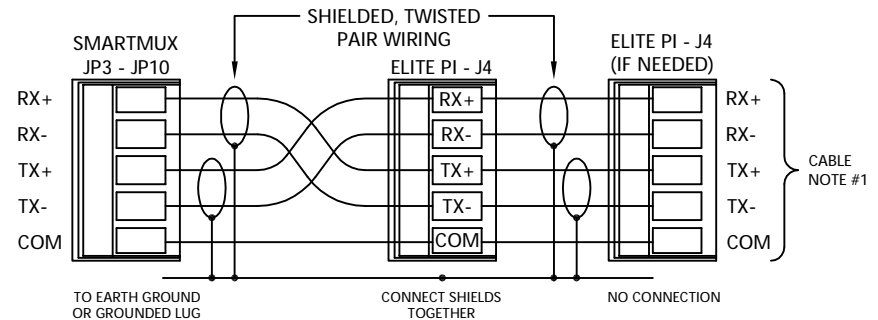
DIP Switches 5, 6 - Display Address for Port Test

DS5 D1 (1)	DS6 D2 (2)	Display Address
OFF	OFF	Display 1
ON	OFF	Display 2
OFF	ON	Display 3
ON	ON	Display 4

DIP Switches 7, 8 - Ethernet Timeout

DS7 ET1	DS8 ET2	Function
OFF	OFF	Ethernet does not reset
ON	OFF	Ethernet resets if no serial traffic for 7 minutes
OFF	ON	Ethernet resets if no serial traffic for 2 hours
ON	ON	Ethernet resets if no serial traffic for 24 hours

SMARTMUX to ELITE PI and (if needed) to ELITE PI



NOTE: Shields MUST be grounded to controller/earth ground lug

DATE DRAWN: 04/17/09	DRAWN BY: DAC	REQUESTED BY: TE	 C.E. ELECTRONICS, INC. 2107 Industrial Drive Bryan, Ohio 43506 (419) 636-6705
BOARD NUMBER: 3387	LAST DATE REVISED: 10/17/17	APPROVED BY:	
PRODUCT SMART MUX SET UP SHEET			
DWG. NO. SMARTMUX_04			REV: C