



INTELLIGENT LIGHTING SHUTOFF

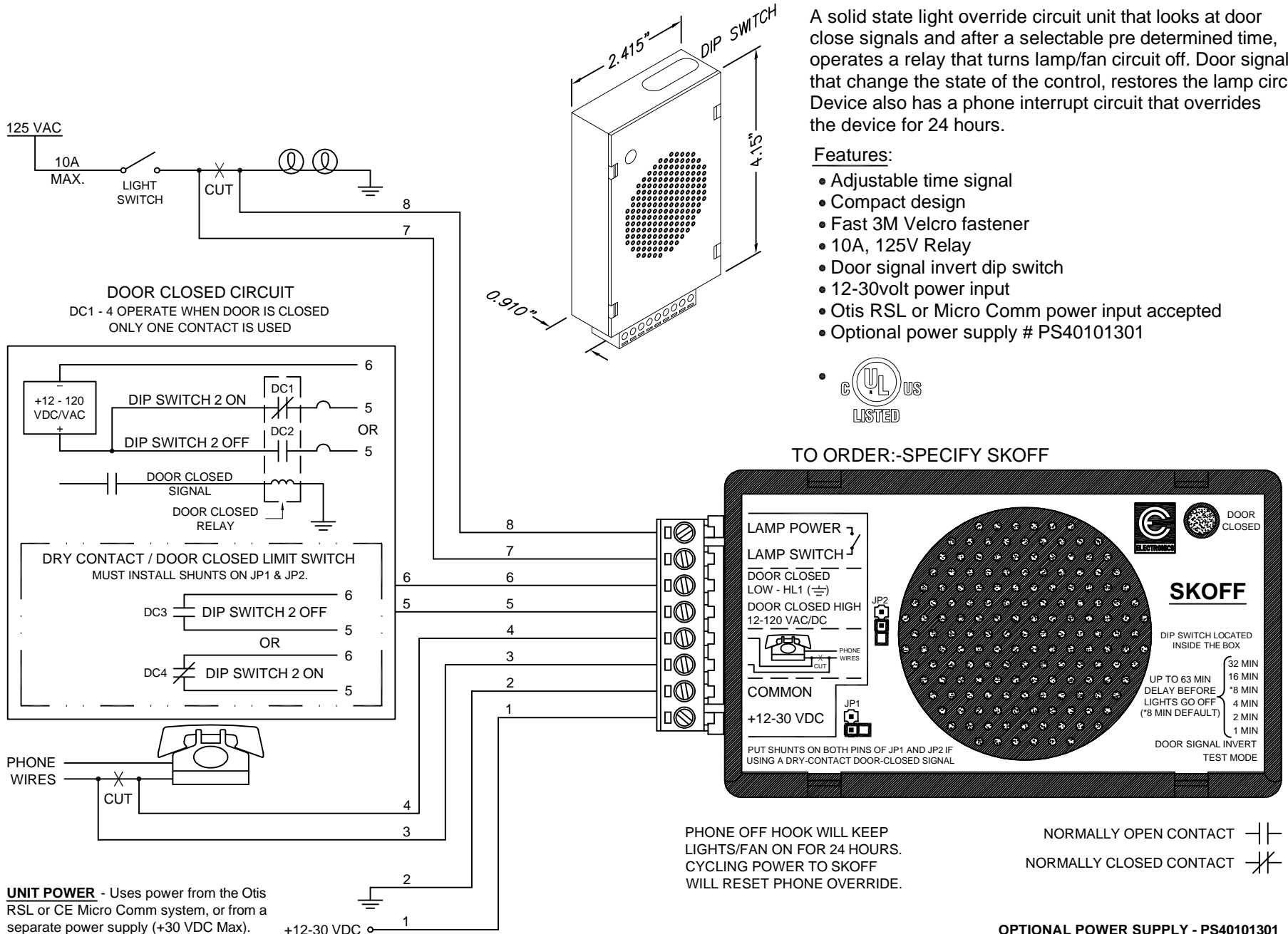
A solid state light override circuit unit that looks at door close signals and after a selectable pre determined time, operates a relay that turns lamp/fan circuit off. Door signals that change the state of the control, restores the lamp circuit. Device also has a phone interrupt circuit that overrides the device for 24 hours.

Features:

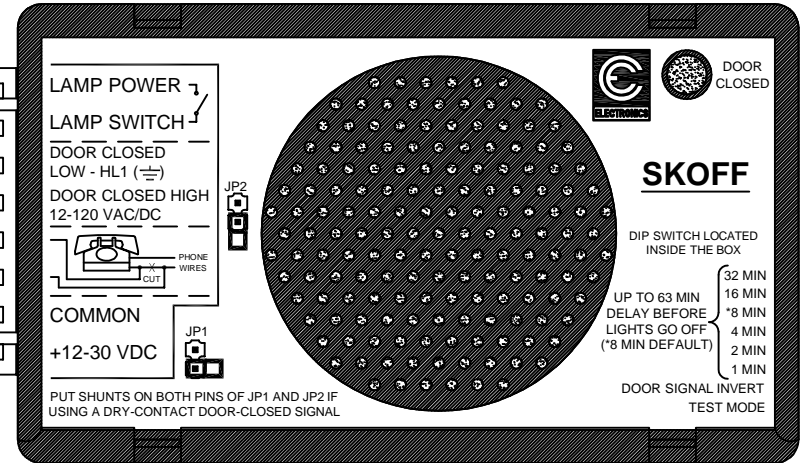
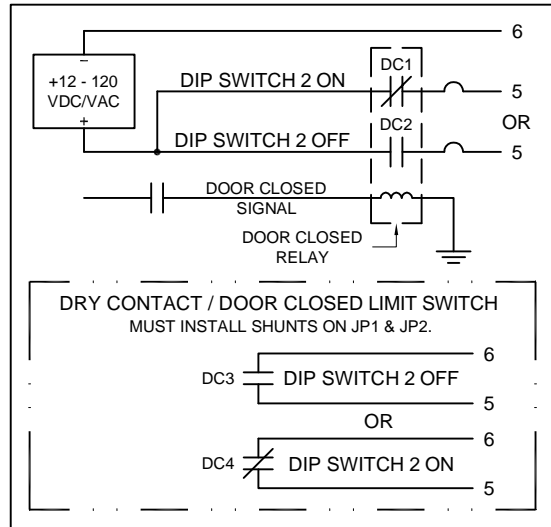
- Adjustable time signal
- Compact design
- Fast 3M Velcro fastener
- 10A, 125V Relay
- Door signal invert dip switch
- 12-30volt power input
- Otis RSL or Micro Comm power input accepted
- Optional power supply # PS40101301



TO ORDER:-SPECIFY SKOFF



DOOR CLOSED CIRCUIT
 DC1 - 4 OPERATE WHEN DOOR IS CLOSED
 ONLY ONE CONTACT IS USED



PHONE OFF HOOK WILL KEEP LIGHTS/FAN ON FOR 24 HOURS. CYCLING POWER TO SKOFF WILL RESET PHONE OVERRIDE.

NORMALLY OPEN CONTACT
 NORMALLY CLOSED CONTACT

UNIT POWER - Uses power from the Otis RSL or CE Micro Comm system, or from a separate power supply (+30 VDC Max).

OPTIONAL POWER SUPPLY - PS40101301