



SKOFF

INTELLIGENT LIGHTING SHUTOFF



OTIS

ELEVATOR CAB LIGHTING

A solid state light override circuit unit that looks at door close signals and after a selectable pre determined time, operates a relay that turns lamp/fan circuit off. Door signals that change the state of the control, restores the lamp circuit. Device also has a phone interrupt circuit that overrides the device for 24 hours.

FEATURES:

- > Adjustable time signal
- > Compact design
- > Fast 3M Velcro fastener
- > 10A, 125V Relay
- > Door signal invert dip switch
- > 12-30volt power input
- > Otis RSL or Micro Comm power input accepted
- > Optional power supply #PS40101301



Otis Elevator Company

Newberry Road

Bloomfield, CT

Ph: 860.676.6000

www.otisworldwide.com

Otis Worldwide





C.E. Electronics, Inc.
 2107 Industrial Drive
 Bryan, OH 43506
 PH (419) 636-6705 FX (419) 636-2516
 www.ccelectronics.com

SKOFF

Ver. 6 Rel. 8/13/2012

LIGHTING

INTELLIGENT LIGHTING SHUTOFF

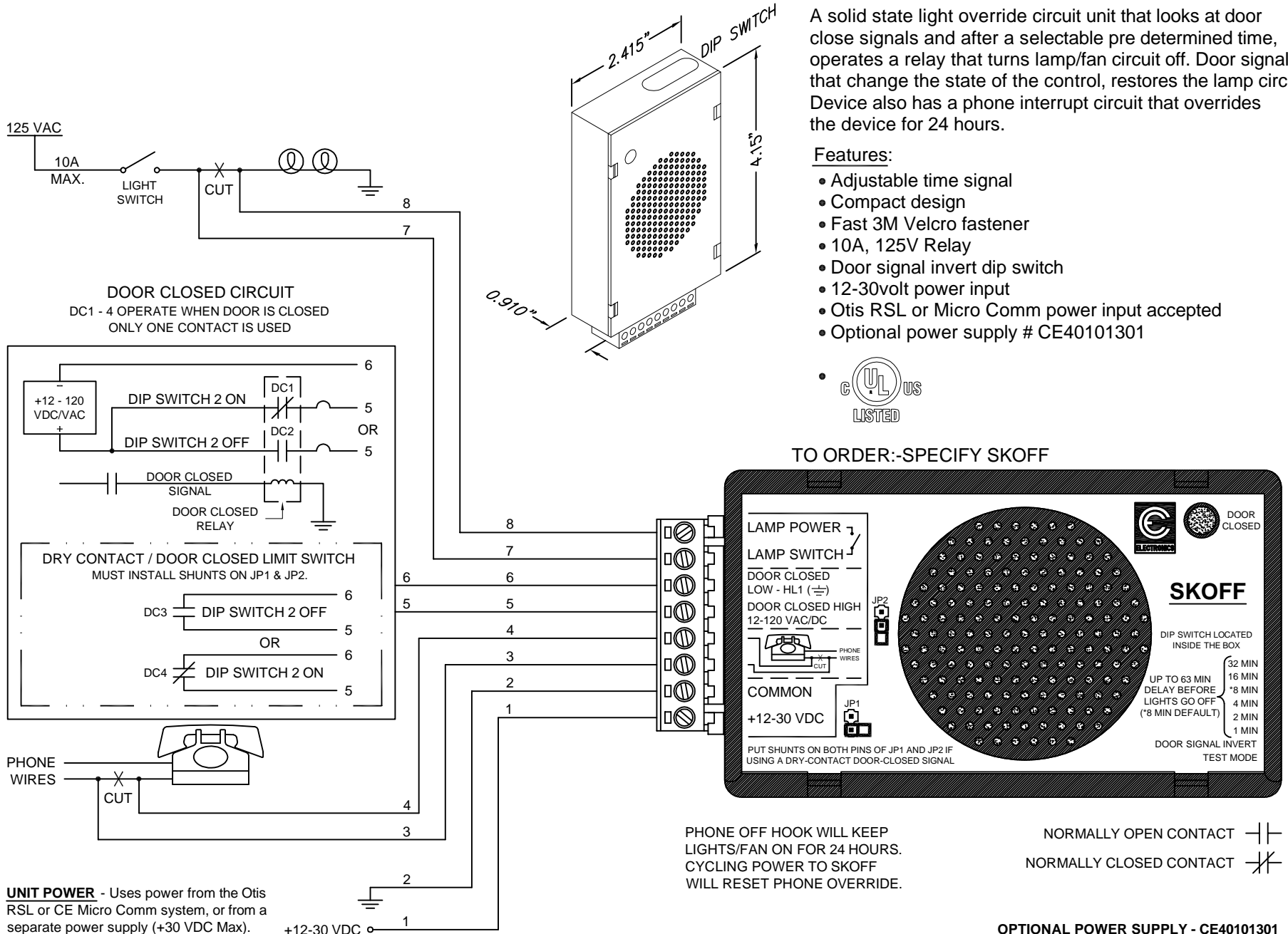
A solid state light override circuit unit that looks at door close signals and after a selectable pre determined time, operates a relay that turns lamp/fan circuit off. Door signals that change the state of the control, restores the lamp circuit. Device also has a phone interrupt circuit that overrides the device for 24 hours.

Features:

- Adjustable time signal
- Compact design
- Fast 3M Velcro fastener
- 10A, 125V Relay
- Door signal invert dip switch
- 12-30volt power input
- Otis RSL or Micro Comm power input accepted
- Optional power supply # CE40101301



TO ORDER:-SPECIFY SKOFF



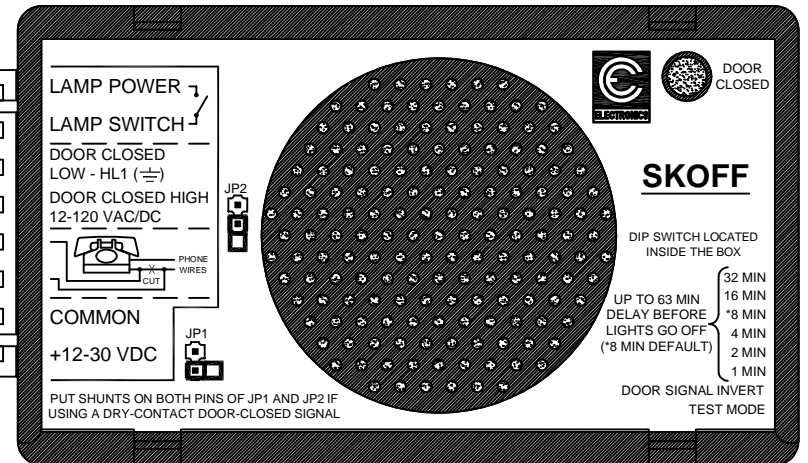
PHONE OFF HOOK WILL KEEP LIGHTS/FAN ON FOR 24 HOURS. CYCLING POWER TO SKOFF WILL RESET PHONE OVERRIDE.

NORMALLY OPEN CONTACT NORMALLY CLOSED CONTACT

OPTIONAL POWER SUPPLY - CE40101301

UNIT POWER - Uses power from the Otis RSL or CE Micro Comm system, or from a separate power supply (+30 VDC Max).

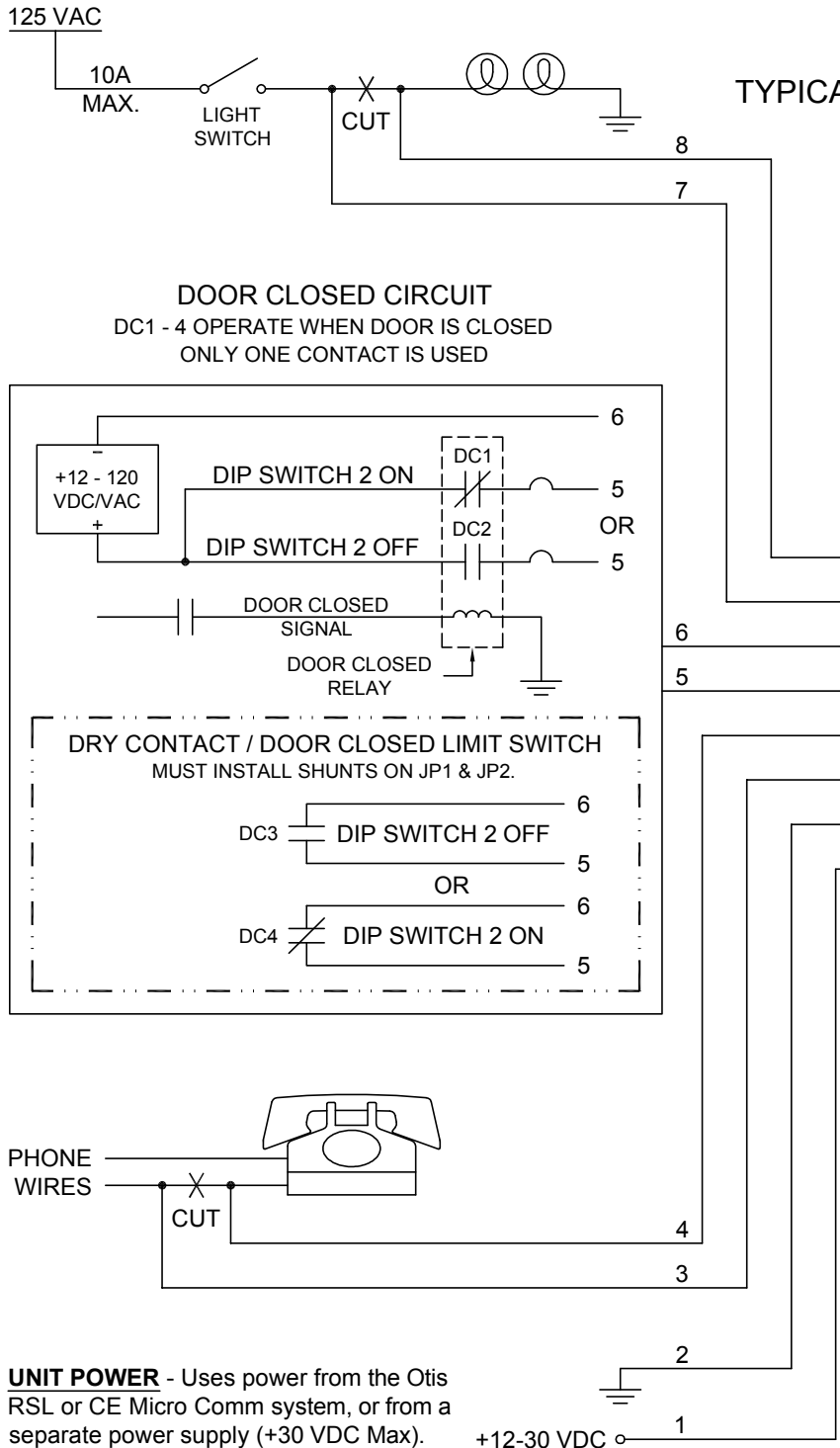
+12-30 VDC



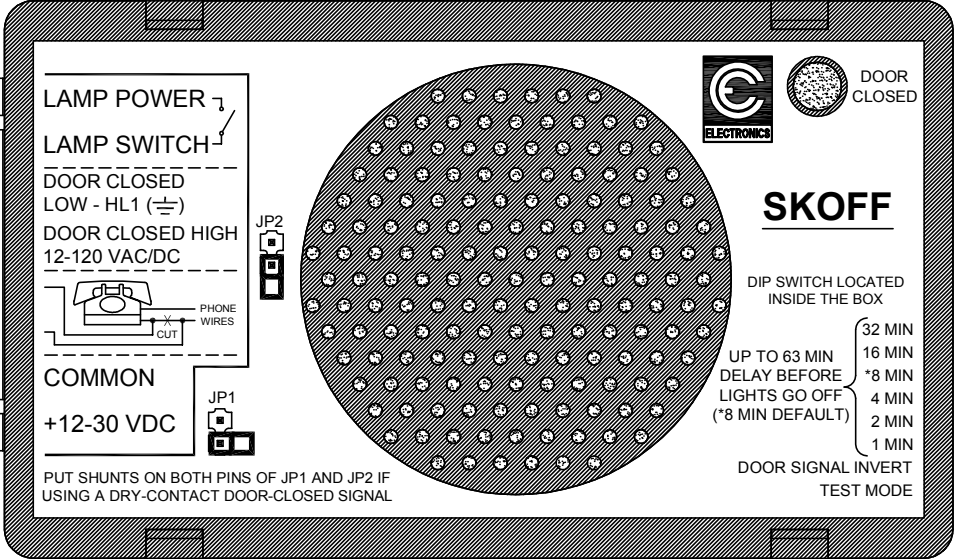
SKOFF

TYPICAL WIRE CONNECTIONS

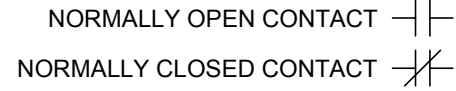
JOB# _____



INTELLIGENT LIGHTING SHUTOFF
The SKOFF is a solid-state light/fan override unit that monitors door closed signals. After the door is closed for a preset time, it operates a relay that turns the light circuit off. When the door opens, the unit restores the lamp circuit. The device also has a phone interrupt circuit that overrides the device for up to 24 hours.



PHONE OFF HOOK WILL KEEP LIGHTS/FAN ON FOR 24 HOURS. CYCLING POWER TO SKOFF WILL RESET PHONE OVERRIDE.



OPTIONAL POWER SUPPLY - CE40101301

UNIT POWER - Uses power from the Otis RSL or CE Micro Comm system, or from a separate power supply (+30 VDC Max).

DATE DRAWN: 01/06/12	DRAWN BY: DAC	REQUESTED BY: CS	C.E. ELECTRONICS, INC. 2107 Industrial Drive Bryan, Ohio 43306 (419) 636-6705
BOARD NUMBER: 3589	LAST DATE REVISED: 07/19/12	APPROVED BY:	
PRODUCT SKOFF - LED CAB LIGHTING AUTO SHUT OFF		DWG. NO. SKOFF_01	

REV: B