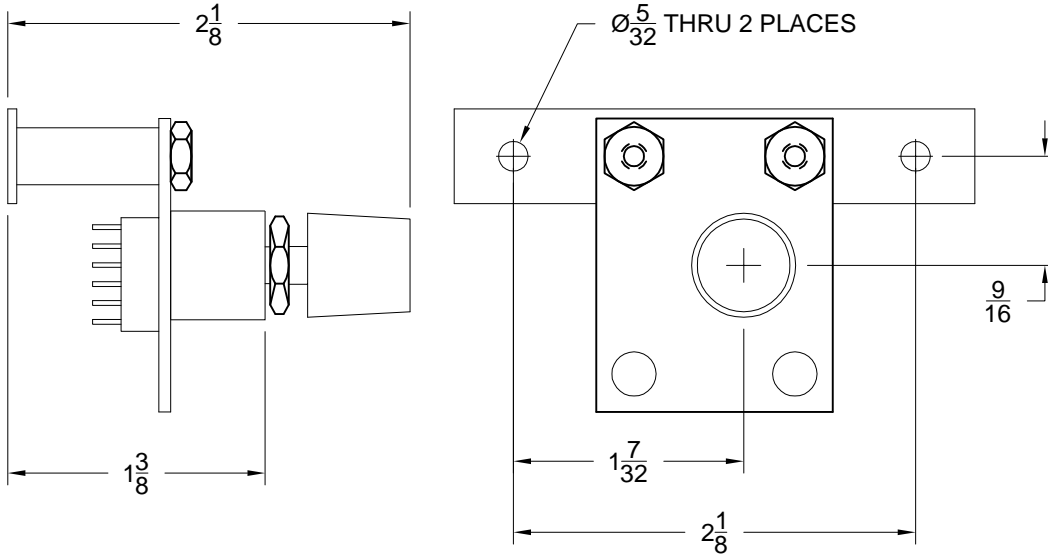




SURFACE MOUNT



REMOTE DIMMER SWITCH

Remote dimmer switch designed to supply remote control of SKCAB lighting system.

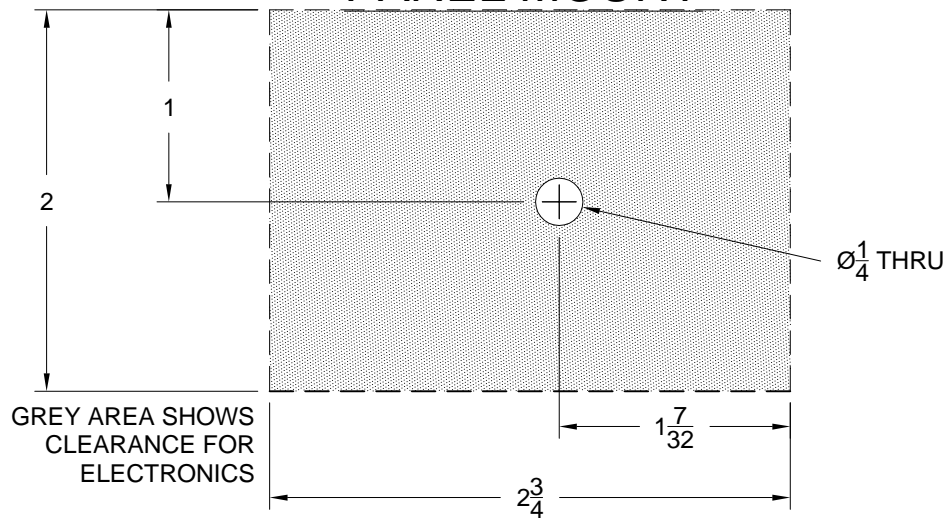
Features:

- dimming on board circuit with 10 brightness settings.
- Supports fixtures in 77mm and 120mm format.
- Incorporates intelligent load software.

NOTE:

SUPPLIED WITH 12 FOOT CABLE

PANEL MOUNT



TO ORDER:-SPECIFY SKDIM