

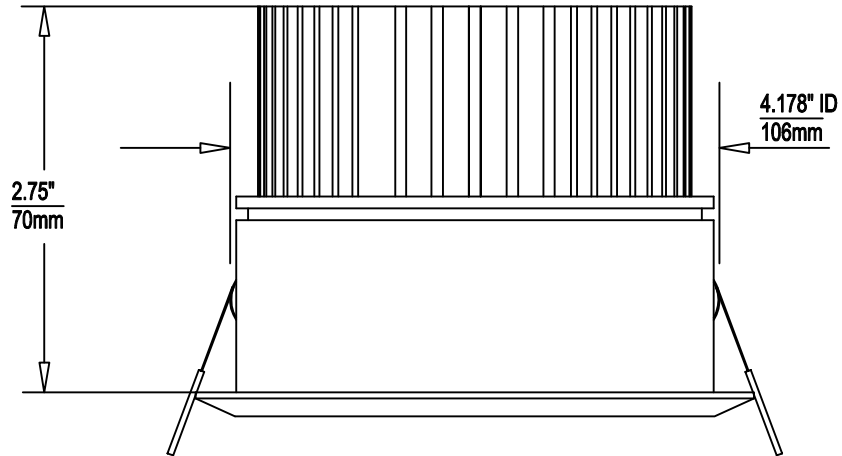


C.E. Electronics, Inc.
2107 Industrial Drive
Bryan, OH 43506
PH (419) 636-6705 FX (419) 636-2516
www.ccelectronics.com

SK120L-9W

Ver. 4 Rel. 4/30/2012

LIGHTING



Features:

- Minimum hole size $\text{Ø}4.175"$ / 106mm
- Input Voltage: 13.8VDC
- Power: 9W LED
- Light Color: Warm White
- Beam Angle: 60°
- Operation Temperature: $-20^\circ\text{C} \pm 50^\circ\text{C}$
- Life Span: 30,000 Hours +
- Fixture Color: Silver
- Lead Lengths: 8 foot leads w/interconnection
- Can be driven at 3W or 9W

TO ORDER - SPECIFY SK120-9W

NOTE:

Designed to be used with the CE SKCAB series controllers.

SK120R ADAPTER / 70000263

