

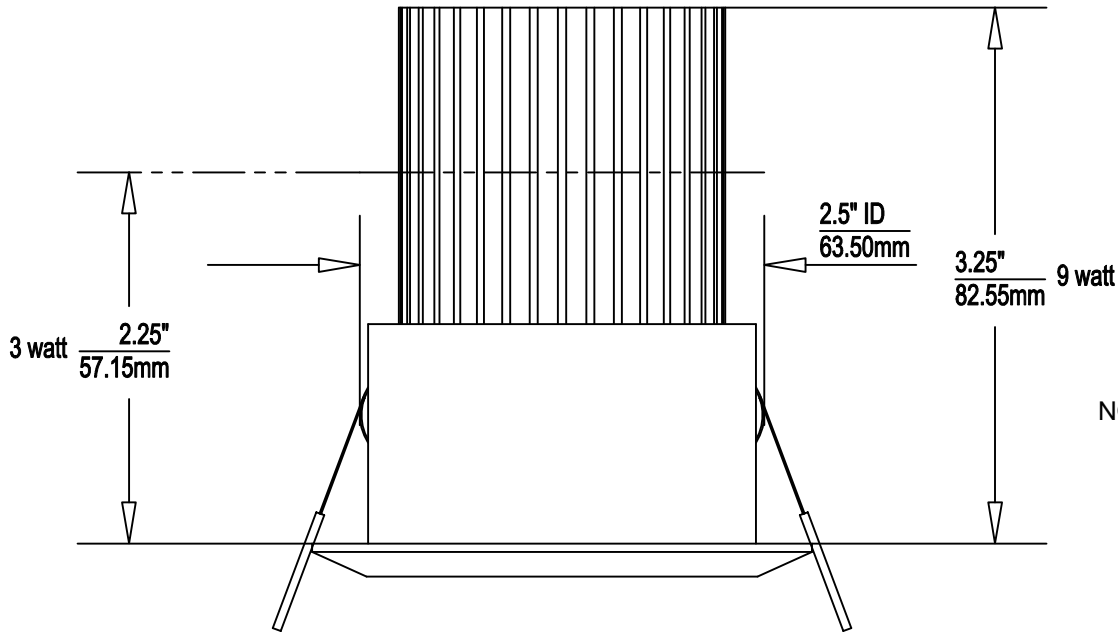


C.E. Electronics, Inc.  
 2107 Industrial Drive  
 Bryan, OH 43506  
 PH (419) 636-6705 FX (419) 636-2516  
 www.ccelectronics.com

# SK077L-XWX

Ver. 4 Rel. 4/30/2012

LIGHTING



### Features:

- Minimum hole size  $\varnothing 2 \frac{1}{2}$  inch / 63.6mm
- Input Voltage: 13.8VDC
- Power: 3 or 9 WATT LED
- Light Color: Warm White
- Beam Angle: 60°
- Operation Temperature: -20°C  $\pm$ 50°C
- Life Span: 30,000 Hours +
- Fixture Color: Silver
- Lead Lengths: 8 foot leads w/interconnection

TO ORDER - SPECIFY SK077L-XWX

"3" = 3 watt  
 "9" = 9 watt

"S" = Silver (std.)  
 "B" = Black  
 "C" = Chrome  
 "G" = Gold  
 "W" = White

### NOTE:

Designed to be used with the CE SKCAB series controllers.

SK077R ADAPTER / 70000273

