



SK077L-XWX

ELEVATOR CAB LIGHTING



OTIS
ELEVATOR CAB LIGHTING



FEATURES:

- > Minimum hole size Ø2 1/2" / 63.6mm
- > Input Voltage: 13.8VDC
- > Power: 3 or 9 Watt LED
- > Light Color: Warm White
- > Beam Angle: 60°
- > Operation Temperature: -20°C±50°C
- > Life Span: 30,000 Hours
- > Fixture Color: Silver
- > Lead lengths: 8' leads with interconnect

NOTE:

- > Designed to be used with the CE SKCAB series controllers.

METAL OPTIONS:



OTIS

Otis Elevator Company | 1208 East Mountain Street | Kernersville, NC 27284 | Ph: 336.996.5030 | www.otisworldwide.com

Otis Worldwide



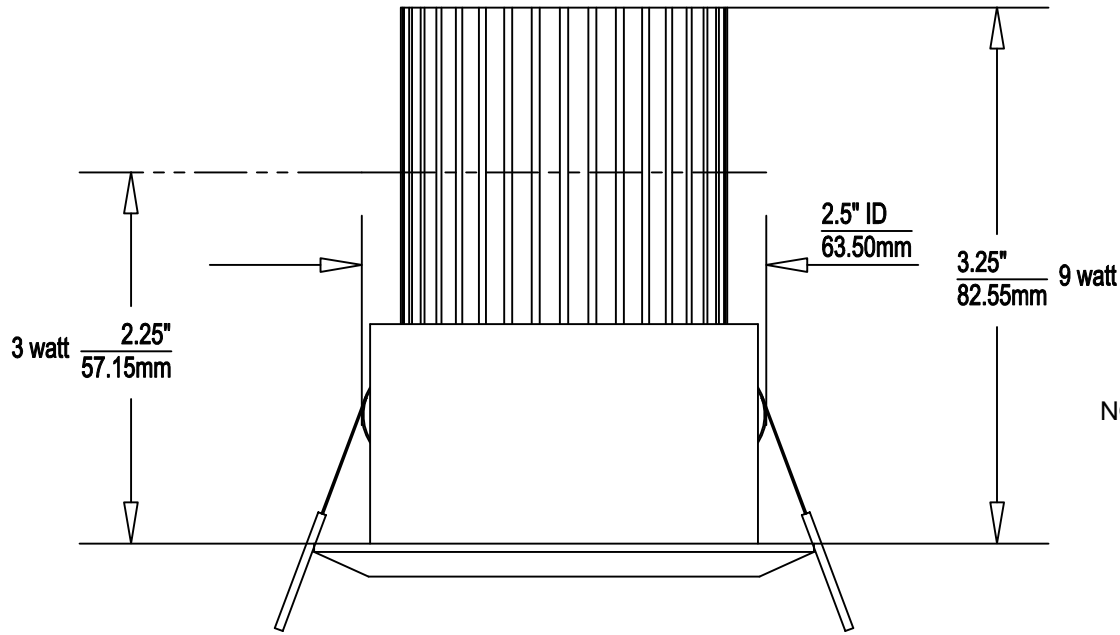


C.E. Electronics, Inc.
 2107 Industrial Drive
 Bryan, OH 43506
 PH (419) 636-6705 FX (419) 636-2516
 www.ccelectronics.com

SK077-XWX

Ver. 4 Rel. 4/30/2012

LIGHTING



Features:

- Minimum hole size $\varnothing 2 \frac{1}{2}$ inch / 63.6mm
- Input Voltage: 13.8VDC
- Power: 3 or 9 WATT LED
- Light Color: Warm White
- Beam Angle: 60°
- Operation Temperature: $-20^{\circ}\text{C} \pm 50^{\circ}\text{C}$
- Life Span: 30,000 Hours +
- Fixture Color: Silver
- Lead Lengths: 8 foot leads w/interconnection

TO ORDER - SPECIFY SK077-XWX

"3" = 3 watt
 "9" = 9 watt

"S" = Silver (std.)
 "B" = Black
 "C" = Chrome
 "G" = Gold
 "W" = White

NOTE:

Designed to be used with the CE SKCAB series controllers.

SK077R ADAPTER / 70000273

