

> SH240-RXXX

4" CHARACTERS



SEGMENTED

4" CHARACTERS

Segmented red high brightness LED digital position indicator.

TYPICAL APPLICATIONS:

- > Car or hall display

FEATURES:

- > Self contained
- > Latched inputs
- > Passing chime output
- > Error detection & correction feature
- > 8 Inputs & Up/Down



C.E. Electronics, Inc.
C.E. Electronics, Ltd.
International Lift Equipment (ILE)

2107 Industrial Drive Bryan, OH 43506
Marlow, Bucks, UK
Highams Park, London, UK

ph: 419.636.6705

ph: +44 (0) 1628 487633
ph: 0208 527 9669

www.cееlectronics.com

www.cееlectronics.co.uk
www.ileweb.com



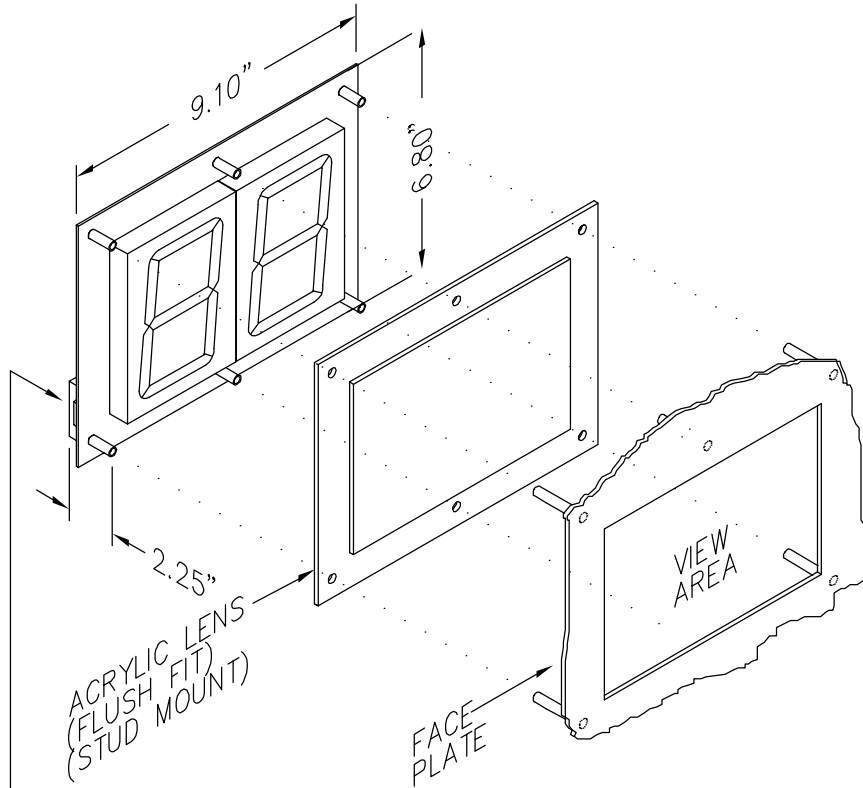


C.E. Electronics, Inc.
 2107 Industrial Drive
 Bryan, OH 43506
 PH (419) 636-6705 FX (419) 636-2516
 www.ceelectronics.com

SH240-RXXX

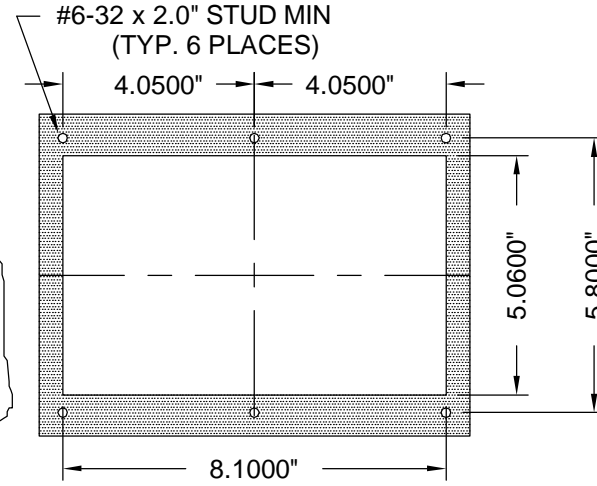
Ver. 2 Rel. 01/17/03

SEGMENTED
DISPLAYS



4" CHARACTERS

Segmented red high brightness LED digital position indicator.



CUTOUT TOLERANCE: +.020
- 0.0

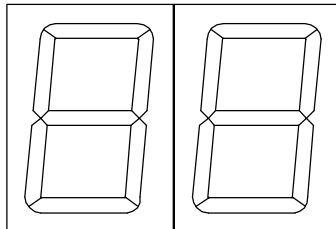
Typical applications:

- Car or hall display

Features:

- Self contained
- Latched inputs
- Passing chime output
- Error detection and correction feature
- 8 Inputs & Up/Down

INPUT CONNECTION
PLUGGABLE CONNECTORS



4" CHARACTERS

Consult factory for alpha characters available
 (Example: A,C,E,F,H,L,O,P,S,U)

TO ORDER - SPECIFY SH240 - R X X X

COLOR:
"R" RED

LENS:
"R" = RED
"X" = NO LENS

SIGNAL VOLTAGE:
 "A" = POSITIVE 6-20VAC/DC, 24VAC
 "B" = POSITIVE 24-48VDC, 48VAC
 "C" = POSITIVE 120VAC
 "D" = POSITIVE 125VDC
 "E" = NEGATIVE 6-20VDC
 "F" = NEGATIVE 24-48VDC
 "G" = NEGATIVE 125VDC
 "M" = IF MICRO COMM

SIGNAL FORMAT:
 "1" = SINGLE LINE / FLOOR *
 "2" = BINARY
 "3" = UNITS & TENS *
 "4" = GRAY CODE
 "5" = INVERTED BINARY
 "6" = SPECIAL
 "X" = NO SELECTION

NOTE:

1. * May need additional decoder card
2. If a special voltage is required, please consult factory.