



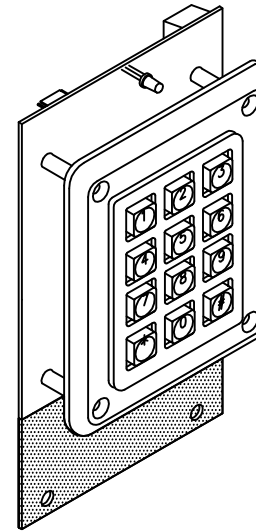
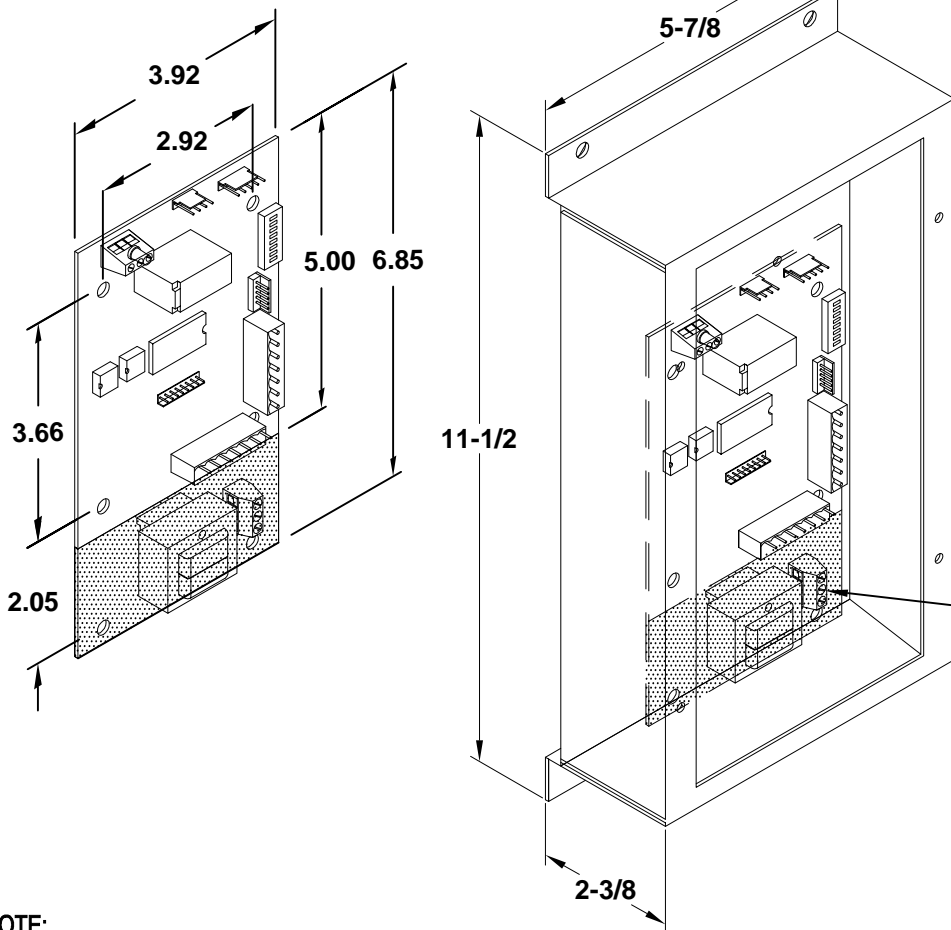
SEC01-XXXX

Ver. 3 Rel. 04/16/2018

SECURITY
 BUTTON INTERFACE

MIN. CLEARANCE:

REMOTE PWR: 4 INCHES WIDE x 5 INCHES TALL x 1.5 INCHES DEEP
 STAND ALONE: 4 INCHES WIDE x 6.85 INCHES TALL x 2 INCHES DEEP



SECURITY ACCESS SYSTEM

Single contact security module - This unit may be used alone to secure access to garages, stairwells or hall call buttons. The RS 485 Port allows you to daisy chain up to 16 multiple units together to make a complete integrated system.

Features:

- 1 relay contact - secures one landing
- Keypad / card reader
- Field programmable
- RS485 interface
- 6 digit codes with up to 600 users

MIN. CLEARANCE:

REMOTE PWR: 4 INCHES WIDE x 5 INCHES TALL x 1.9 INCHES DEEP
 STAND ALONE: 4 INCHES WIDE x 6.85 INCHES TALL x 2.5 INCHES DEEP

"LOCAL" STAND ALONE
 OPTION

TO ORDER - SPECIFY SEC01- X X X X

POWER SUPPLY:

- "R" = REMOTE
- "L" = LOCAL (STAND ALONE)

INTERFACE/VISUAL FEEDBACK:

- "A" = KEYPAD & LED
- "C" = CARD READER & LED
- "E" = SWIPE READER & LED
- "I" = PROXIMITY READER & LED

MOUNTING:

- "1" = APPLIED METAL w/o BACK BOX
- "2" = APPLIED METAL w/ BACK BOX
- "3" = SURFACE MOUNT w/ REMOTE SEC01
- "4" = SURFACE MOUNT w/ ATTACHED SEC01
- "5" = SURFACE MOUNT w/ KEYPAD ATTACHED to CE2463 (No metal)
- "X" = NO FIXTURE
- "C" = CUSTOM FIXTURE

PROGRAM CABLE:

- "C" = HAND HELD ATTENDANT CABLE
- "X" = NO CABLE NEEDED

NOTE:

1. The stand alone unit does not have a fire service override as it was not designed for car applications.
2. When the SEC01 (remote) is remote powered by a SECPS. The unit has a fire service override (security cutout) input.
3. When used in a multiple location system, see SECPS-XX for power, programming, and wiring specifications.