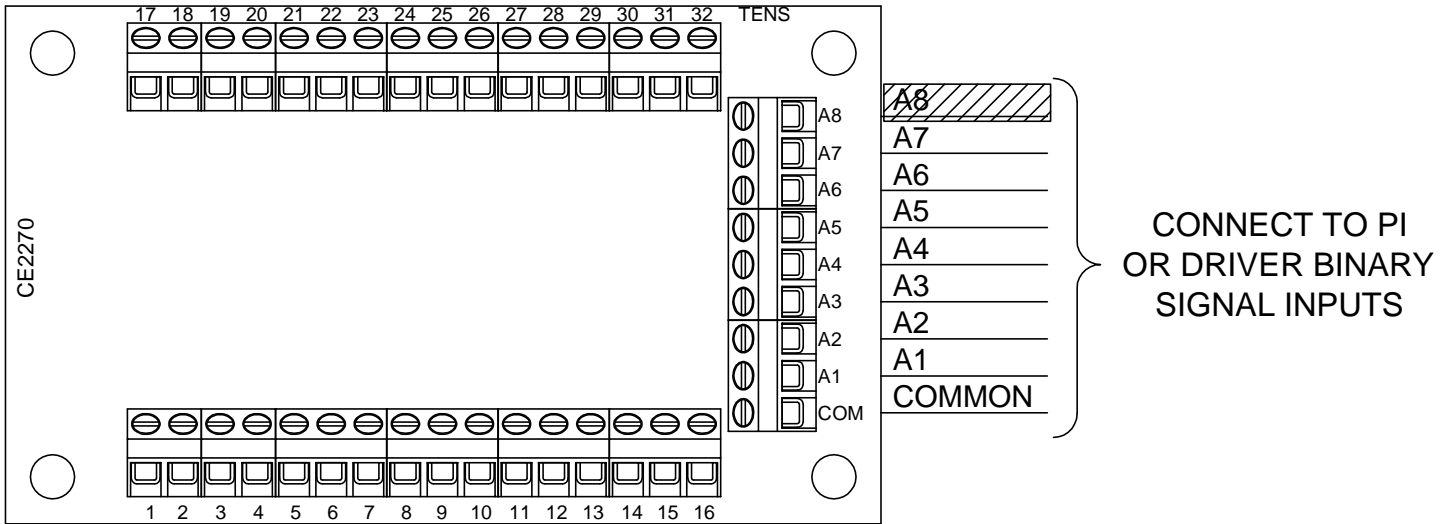


SC110-X

JOB# _____



FLOOR SIGNALS FROM THE CONTROLLER MUST CONNECT TO THE NUMBERED INPUT TERMINALS ON THE DECODER BOARD AS SHOWN BELOW FOR THE CORRECT MARKINGS TO DISPLAY ON THE POSITION INDICATOR.

<u>UNITS</u>	<u>TENS</u>
1 _____	17 _____
2 _____	18 _____
3 _____	19 _____
4 _____	20 _____
5 _____	21 _____
6 _____	22 _____
7 _____	23 _____
8 _____	24 _____
9 _____	25 _____
10 _____	26 _____
11 _____	27 _____
12 _____	28 _____
13 _____	29 _____
14 _____	30 _____
15 _____	31 _____
16 <u>COMMON</u>	32 <u>COMMON</u>

= NOT AVAILABLE FOR NORMAL USE.

BOARD VERSION CE2270 _____

DATE DRAWN: 01/14/93	DRAWN BY: K.L.S.	REQUESTED BY:	 C.E. ELECTRONICS, INC. 2107 Industrial Drive Bryan, Ohio 43506 (419) 636-6705
BOARD NUMBER: 2270	LAST DATE REVISED: 01/07/11	APPROVED BY:	
PRODUCT SC110-X - UNITS AND TENS TO BINARY DECODER			DWG. NO. SC110001
			REV. B