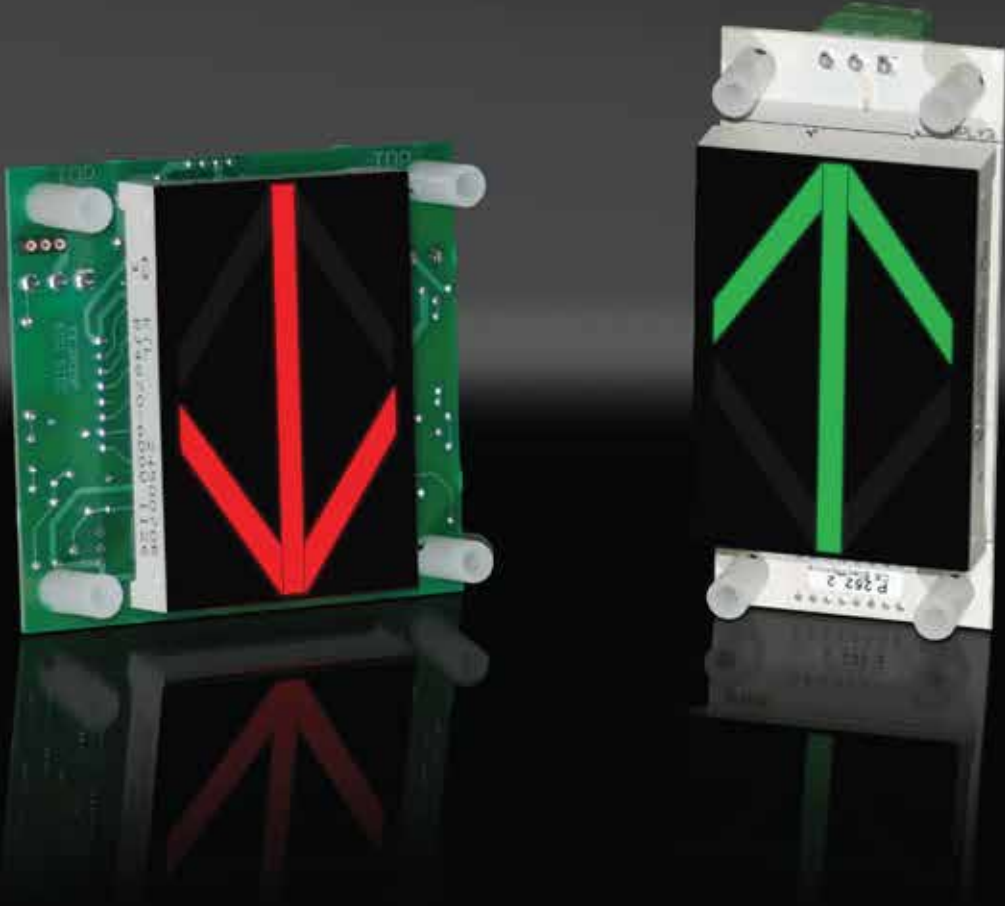


> SA125-XXXXX 2.5" LED ARROW



ACCESSORIES

2.5" LED ARROW

Long life, solid state arrow for lanterns, 100,000 hours rated life. Accepts signals from 6 to 120 volts, AC or DC. Comes with output terminals for electronic chimes or electromechanical gongs.

FEATURES:

- > Ultra-thin packaging
- > Jamb Mountable
- > Fast, 3 wire hookup
- > 1 year factory warranty
- > Order in red, green, blue and white LED displays



C.E. Electronics, Inc. (US) 2107 Industrial Drive, Bryan, Ohio 43506 p: 419.636.6705 www.cееlectronics.com

C.E. Electronics, Ltd. (UK) P.O. Box 1679 Marlow, Bucks SL7 3ZG, UK p: +44 (0) 1628 487633 www.cееlectronics.co.uk

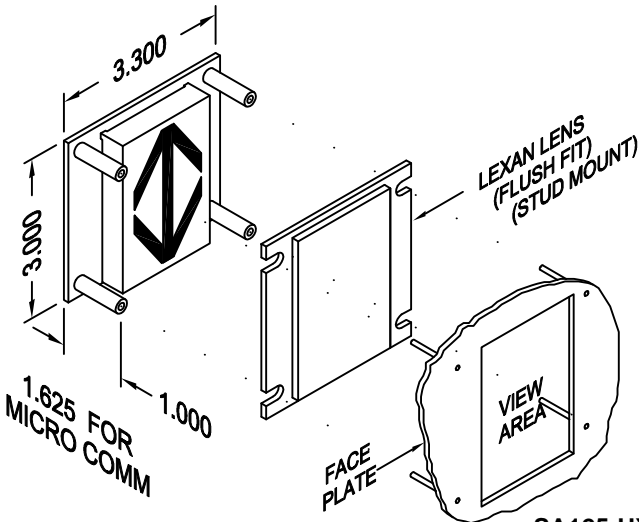


C.E. Electronics, Inc.
 2107 Industrial Drive
 Bryan, OH 43506
 PH (419) 636-6705 FX (419) 636-2516
 www.ceelectronics.com

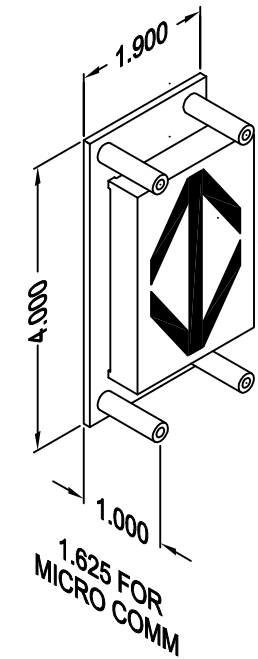
SA125-XXXX

Ver. 11 Rel. 1/24/2017

ACCESSORIES



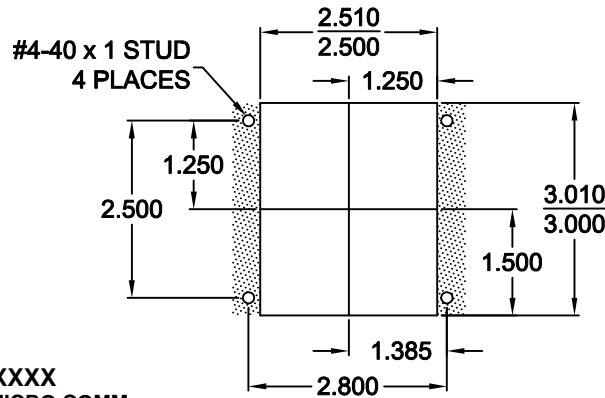
SA125-HXXXX
 (NOTE: On MICRO COMM units, depth is 1.625 inch)



SA125-VXXXX
 (NOTE: On MICRO COMM units, depth is 1.625 inch)

RENEWAL PARTS

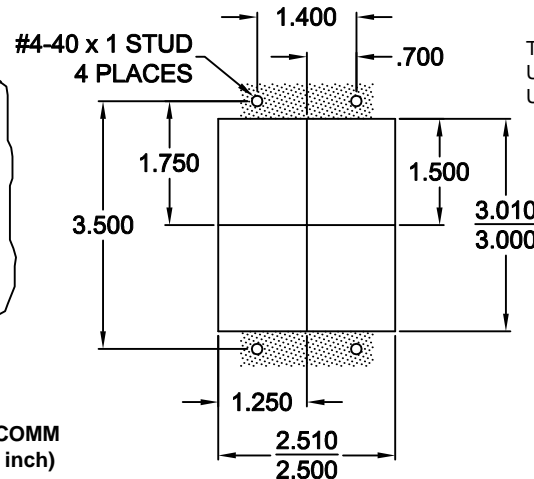
- Lens: 104-5503 RED
- Lens: 104-6041 GRAY
- Lens: 104-9041 BLUE



SA125-HXXXX

RENEWAL PARTS

- Lens: 104-5504 RED
- Lens: 104-6042 GRAY
- Lens: 104-9042 BLUE



SA125-VXXXX

2.5 INCH LED ARROW

Long life, solid state arrow for lanterns, 100,000 hours rated life. Accepts signals from 6 to 120 volts, AC or DC. Comes with output terminals for electronic chimes or electromechanical gongs.

Typical applications:

- Car-op panel
- Transom-car or hall

Features:

- Ultra-thin packaging
- Jamb mountable
- Fast, 3 wire hookup
- 1 year factory warranty
- Order in red, green, blue, white LED displays

TO ORDER:-SPECIFY SA125 - X X X X X

ORIENTATION:
 "H" = HORIZONTAL
 "V" = VERTICAL

COLOR:
 "R" = RED
 "G" = GREEN
 * "B" = BLUE
 * "W" = WHITE

SIGNAL VOLTAGE:
 "A" = +6VDC, 12VAC
 "B" = -6VDC
 "C" = +12VDC, 24VAC
 "D" = -12VDC
 "M" = MICRO COMM
 "Z" = +/-20 - 130 VAC/DC

SIGNAL (ARRIVAL or TRAVELING, ONLY if MICRO COMM)

"A" = ARROW PORT A
 "T" = ARROW PORT T
 "X" = NON-MICRO COMM build

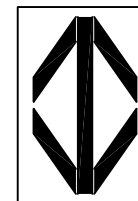
LENS:
 "R" = RED
 "G" = GRAY
 "B" = BLUE
 "X" = NO LENS

OUTPUT CONNECTION

FOR C.E. #SGXXX-XXX
 ELECTRONIC HANDICAP CHIME
 OR OTHER AUDIBLE DEVICE

INPUT CONNECTION

THREE WIRES REQUIRED:
 UP, DOWN, AND COMMON
 UNLESS MICROCOMM 3 WIRE

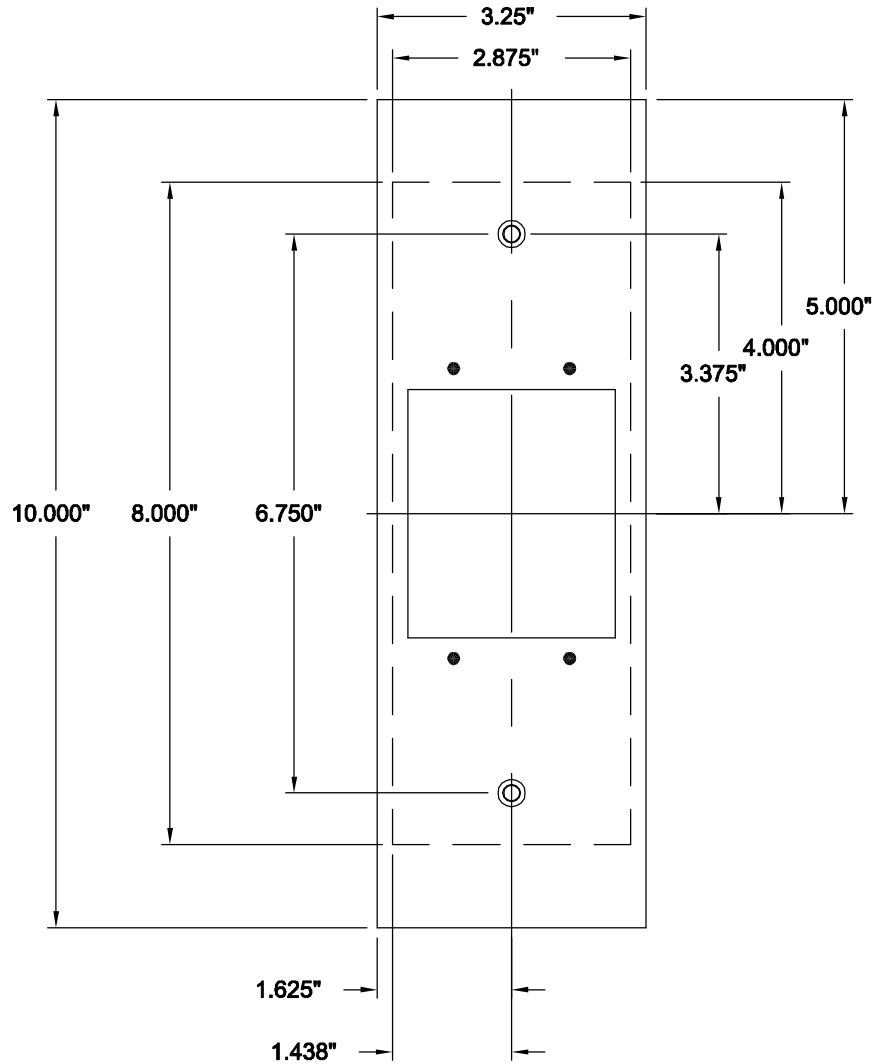


2.5 inch character

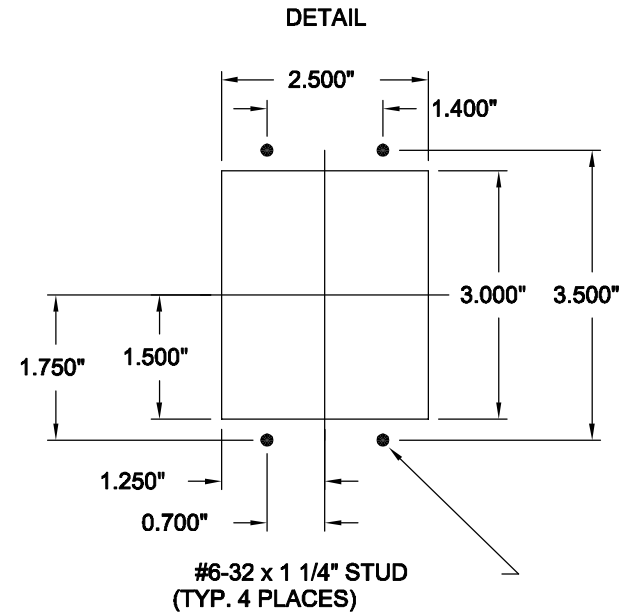
NOTE:

1. If a special voltage is required, please consult factory.

* = Not Available in Signal Voltage A - D



SA125 CAR DIRECTIONAL INDICATOR



NOTES:

- #4 STAINLESS STEEL, .125"
- VERTICAL GRAIN
- BEVELED EDGES - APPROXIMATELY 15°
- BOX REQUIRED, 3.5" DEEP
- COUNTERSINK MOUNTING HOLES FOR #10-32 TAMPERPROOF SCREW