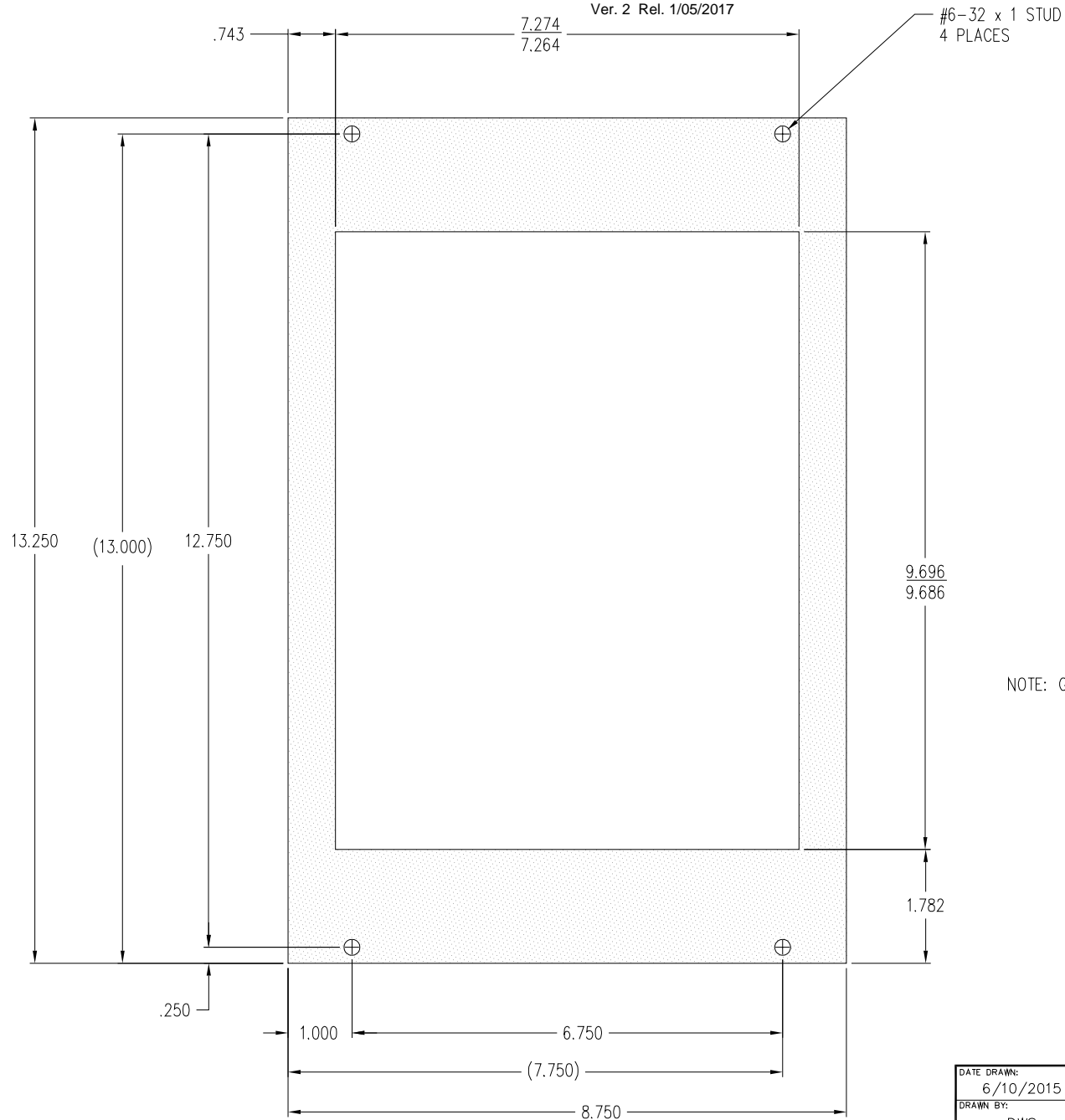



PP121-2

Ver. 2 Rel. 1/05/2017



NOTE: GREY AREA IS CLEARANCE FOR ELECTRONICS

LENS NUMBER:	BOARD # & REV:
APPROVED BY:	
Signature: _____	
Date: _____	
Company: _____	

DATE DRAWN: 6/10/2015	LAST DATE REVISED	SCALE NTS	PART #
DRAWN BY: DWS	TOLERANCE UNLESS OTHERWISE SPECIFIED: ±.015		 C.E. ELECTRONICS, INC. 2107 Industrial Drive Bryan, Ohio 43506 (419) 636-6705
REQUESTED BY:	TOLERANCE FOR CUTOUT (WINDOW):		
TITLE: 12 INCH DISPLAY - PORTRAIT	DWG. NO. PP121-2	REV:	