

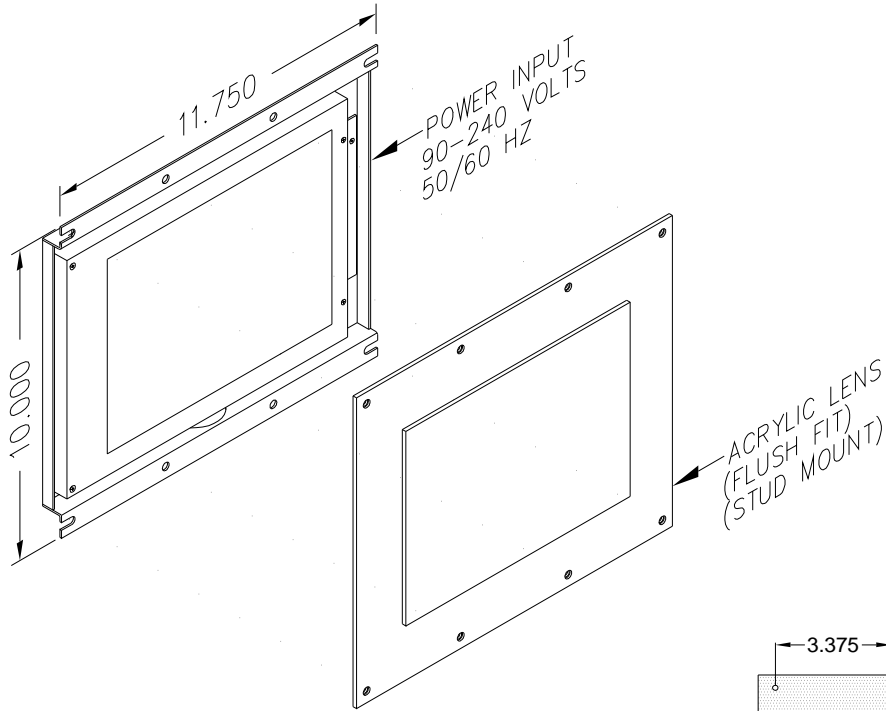


C.E. Electronics, Inc.
 2107 Industrial Drive
 Bryan, OH 43506
 PH (419) 636-6705 FX (419) 636-2516
 www.ccelectronics.com

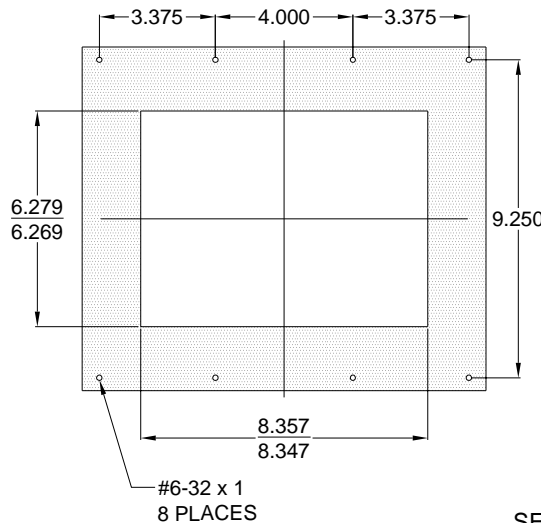
OX104-CX2

Ver. 4 Rel. 2/21/2017

OTIS



UNIT IS 2-3/4 INCH DEEP
 REMOTE AND AUXILIARY UNIT
 2-1/8 INCH DEEP
 3-1/2 DEEP BOX RECOMMENDED



10.4 INCH Standard Luxury PI - LIQUID CRYSTAL DISPLAY (LCD)

The Otis Luxury PI is the most flexible position indicator available. With the Luxury layout software, you can customize your own position indicator by selecting background colors and textures, fonts, and arrow styles. This system is so flexible you can even determine where the display elements appear on the screen. In addition to design flexibility, the Otis Luxury PI can display floor, priority, and time-based messages.

Typical Applications

- Car-op panel
- Transom car

Features:

- Passing chime output
- Live video option
- Self testing
- Low profile
- Luxury designer software
- Luxury transfer software
- Otis RSL serial link input

TO ORDER: - OX104 - C X 2

SERIES:

- "L" = MAIN
- "V" = VIDEO
- "A" = AUXILIARY PANEL LINK

DRIVER OPTIONS:

USE OEMS-X ONLY IF 411 SYSTEM IS USING THE EMS OPTION
 IF USING AN OEMS, PLEASE REFER TO EX104 MICRO COMM ELITE PAGE

RELATED DRAWINGS	
DESCRIPTION	DRAWING NAME
PANEL PREP.	PP104-1
DETAIL DIM.	DD104-1