

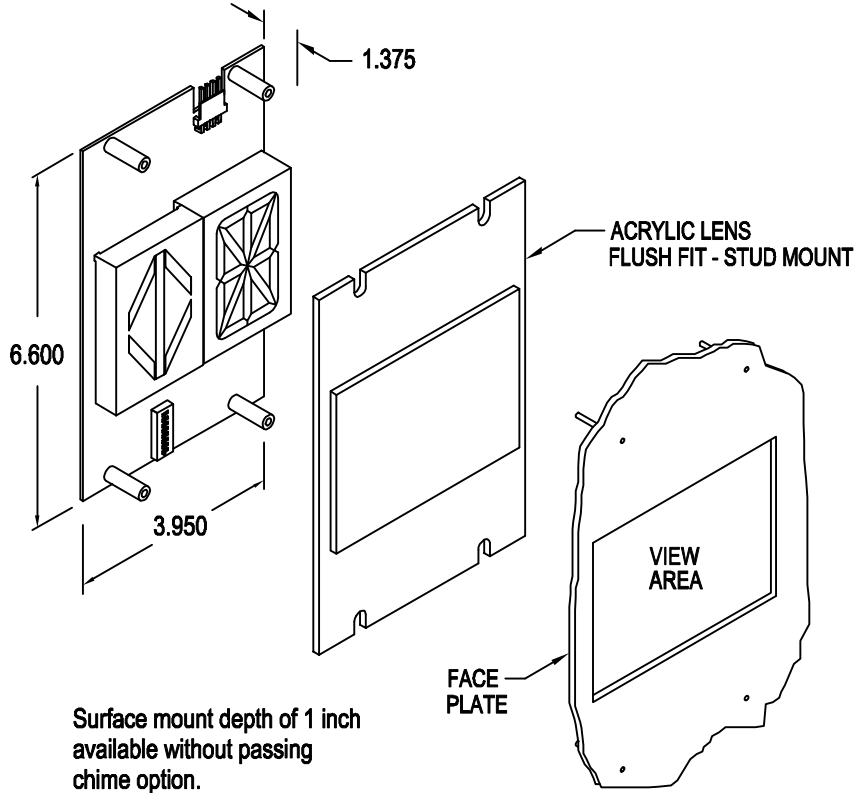


C.E. Electronics, Inc.
 2107 Industrial Drive
 Bryan, OH 43506
 PH (419) 636-6705 FX (419) 636-2516
 www.ccelectronics.com

OV122A-XXX

Ver. 1 Rel. 1/18/2018

OTIS
Display



RENEWAL PARTS

- Lens: 104-3012 RED
- Lens: 104-6040 GRAY
- Lens: 104-9040 BLUE

REMOTE DISPLAY INDICATOR "RDI"

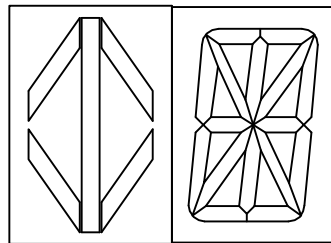
Segmented LED, digital indicator for floor position display, as well as car direction. Any alphanumeric character can be displayed.

Typical Applications

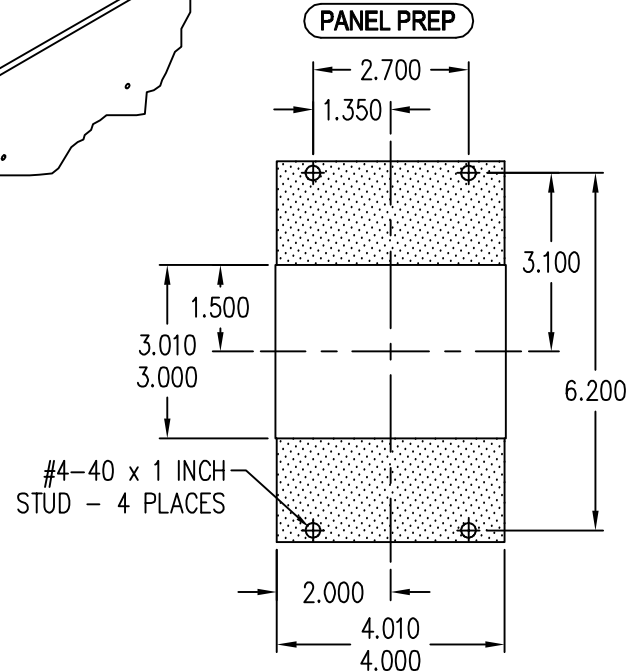
- Car-OP Panel
- Transom-car or Hall
- Surface mount fixtures

Features

- OTIS RSL Interface
- 4 Pin Header
- Latched inputs
- Cross wire protected
- Self testing
- Passing chime output



2.5 INCH ARROW
2.2 INCH CHARACTER



TO ORDER - SPECIFY OV122A - X X X

COLOR:

- "RR" = RED CHARACTER, RED ARROW
- "GR" = GREEN CHARACTER, RED ARROW
- "GG" = GREEN CHARACTER, GREEN ARROW
- "RG" = RED CHARACTER, GREEN ARROW
- "BB" = BLUE CHARACTER, BLUE ARROW
- "WW" = WHITE CHARACTER, WHITE ARROW

LENS:

- "R" = RED
- "G" = GRAY
- "B" = BLUE
- "X" = NO LENS

NOTE:

1. This is not a stand alone unit. Must be used in conjunction with an OTIS RSL interface.