

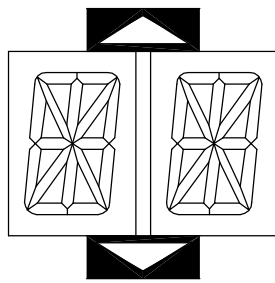
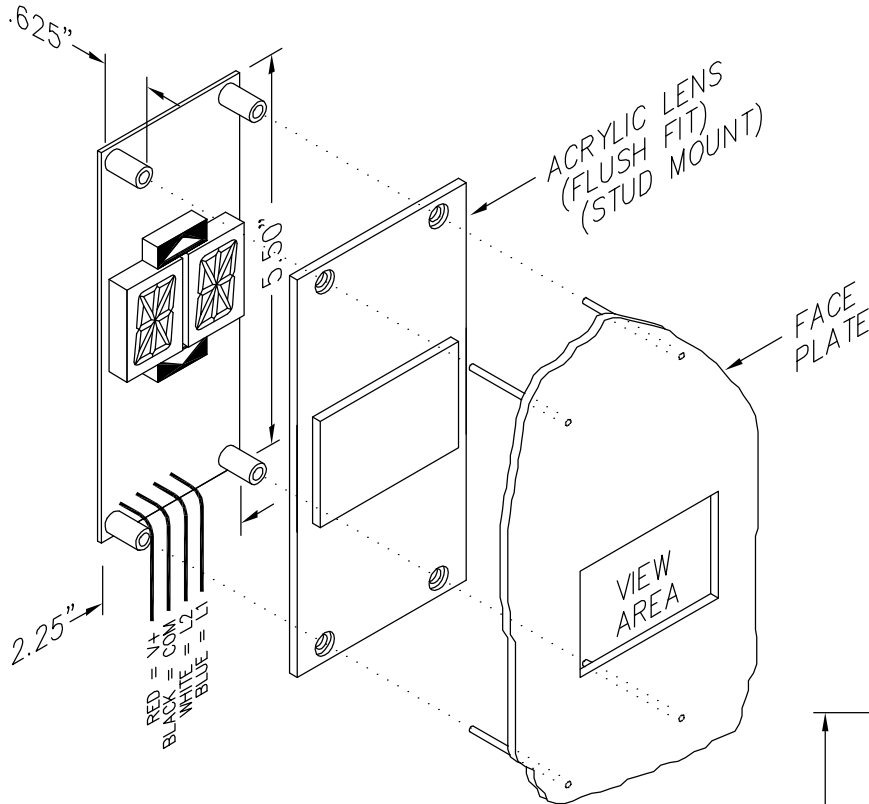


C.E. Electronics, Inc.
 2107 Industrial Drive
 Bryan, OH 43506
 PH (419) 636-6705 FX (419) 636-2516
 www.ceelectronics.com

OSV21-XXX

Ver. 5 Rel. 09/06/2011

OTIS®
 411 SERIES



1" CHARACTER

NOTE:

1. This is not a stand alone unit.

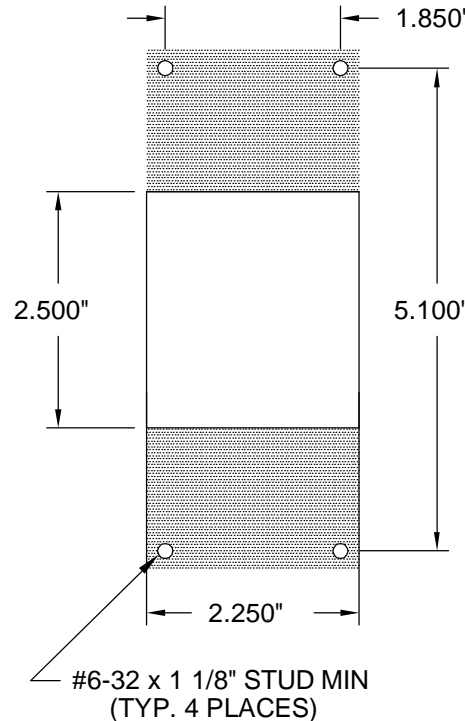
OSV21-XX - OTIS SERIAL LINK REMOTE DISPLAY INDICATOR "RDI"

Segmented LED, digital indicator for floor position display, as well as car direction. Any alphanumeric character can be displayed in either single or double digit floor designations.

RENEWAL PARTS

- Lens: 104-0505 RED
- Lens: 104-6043 GRAY
- Lens: 104-9043 BLUE

PANEL PREPARATION



CUTOUT TOLERANCE: +.020
 - 0.0

Typical Applications:

- Car-OP Panel
- Transom-car or Hall
- Surface mount fixtures

Features:

- Fast, 4-wire hookup
- Latched inputs
- Cross wire protected
- Self testing
- Alternate message
- Passing chime option by request only
- No RS5 card needed
- Otis 411 car/hall date link hookup

TO ORDER - SPECIFY OSV21 - X X X X

COLOR:

- "RR" = RED / RED ARROWS
- "AR" = AMBER / RED ARROWS
- "GR" = GREEN / RED ARROWS
- "BR" = BLUE / RED ARROWS
- "WR" = WHITE / RED ARROWS
- "GG" = GREEN / GREEN ARROWS
- "BB" = BLUE / BLUE ARROWS
- "WW" = WHITE / WHITE ARROWS

LENS:

- "R" = RED
- "G" = GRAY
- "B" = BLUE
- "X" = NO LENS