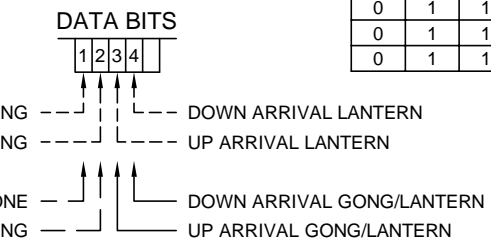
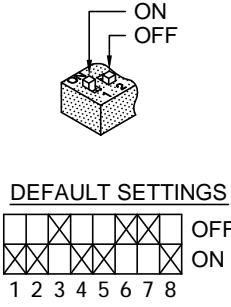
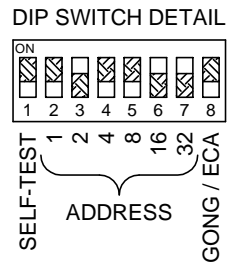
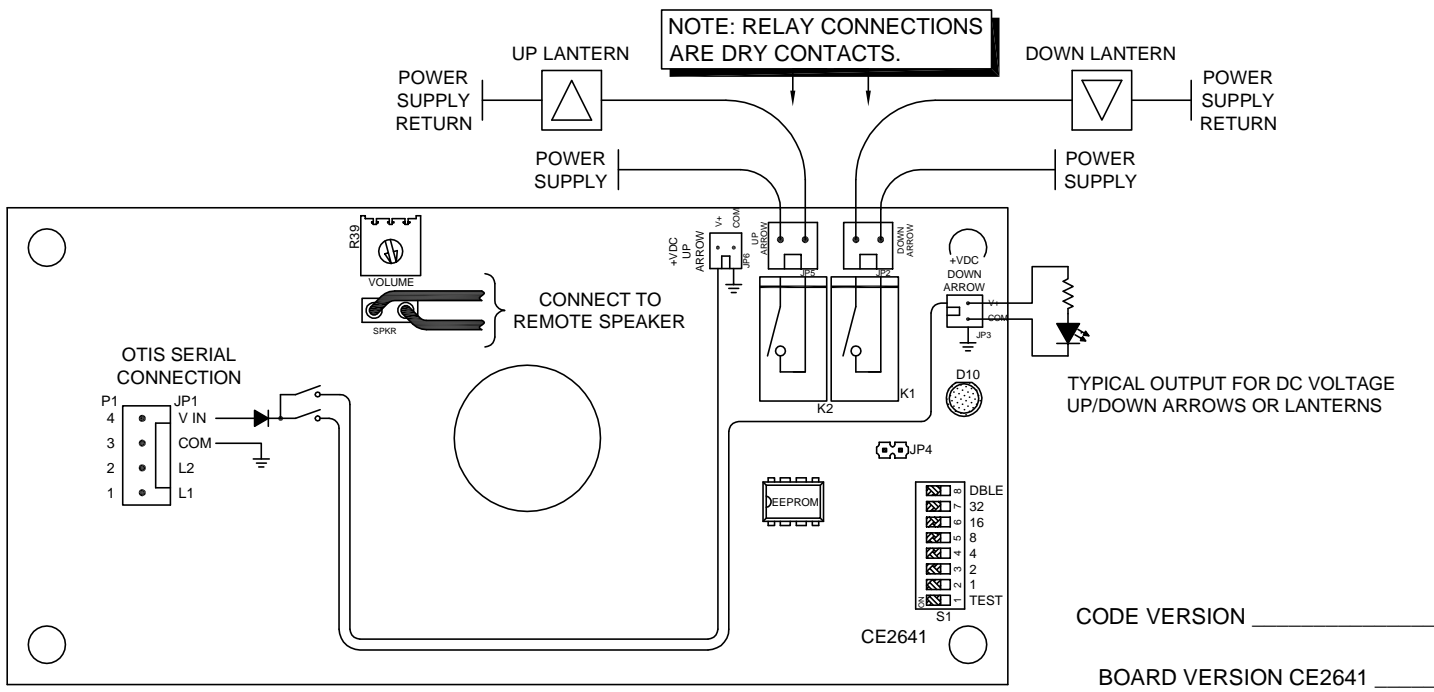


OSRLD - LANTERN/GONG DRIVER WITH RELAY OUTPUTS JOB# _____



----- = DIP SWITCH 8 OFF
 _____ = DIP SWITCH 8 ON
 - - - - - = DIP SWITCH 1 AND 8 ON

CHART TO SELECT ADDRESS WITH DIP SWITCH

						32	16	8	4	2	1	VALUE								
DS7	DS6	DS5	DS4	DS3	DS2	ADDRESS														
0	0	0	0	0	0	0	0	0	0	0	0	INVALID	1	0	0	0	0	0	0	ADDRESS #32
0	0	0	0	0	0	0	0	0	0	0	0	INVALID	1	0	0	0	0	0	1	ADDRESS #33
0	0	0	0	0	0	0	0	0	0	0	0	INVALID	1	0	0	0	1	0	0	ADDRESS #34
0	0	0	0	0	0	0	0	0	0	0	0	INVALID	1	0	0	0	1	1	0	ADDRESS #35
0	0	0	0	1	0	0	0	0	0	0	0	ADDRESS #4	1	0	0	1	0	0	0	ADDRESS #36
0	0	0	0	1	0	1	0	0	0	1	0	ADDRESS #5	1	0	0	1	0	1	0	ADDRESS #37
0	0	0	0	1	1	0	0	0	0	0	0	ADDRESS #6	1	0	0	1	1	0	0	ADDRESS #38
0	0	0	0	1	1	1	0	0	0	0	0	ADDRESS #7	1	0	0	1	1	1	0	ADDRESS #39
0	0	0	1	0	0	0	0	0	0	0	0	ADDRESS #8	1	0	1	0	0	0	0	ADDRESS #40
0	0	0	1	0	0	0	0	0	0	1	0	ADDRESS #9	1	0	1	0	0	0	1	ADDRESS #41
0	0	0	1	0	1	0	0	0	0	0	0	ADDRESS #10	1	0	1	0	1	0	0	ADDRESS #42
0	0	0	1	0	1	1	0	0	0	0	0	ADDRESS #11	1	0	1	0	1	1	0	ADDRESS #43
0	0	0	1	1	0	0	0	0	0	0	0	ADDRESS #12	1	0	1	1	0	0	0	ADDRESS #44
0	0	0	1	1	0	1	0	0	0	0	0	ADDRESS #13	1	0	1	1	0	1	0	ADDRESS #45
0	0	0	1	1	1	0	0	0	0	0	0	ADDRESS #14	1	0	1	1	1	0	0	ADDRESS #46
0	0	0	1	1	1	1	0	0	0	0	0	ADDRESS #15	1	0	1	1	1	1	0	ADDRESS #47
0	0	1	0	0	0	0	0	0	0	0	0	ADDRESS #16	1	1	0	0	0	0	0	ADDRESS #48
0	0	1	0	0	0	0	1	0	0	0	0	ADDRESS #17	1	1	0	0	0	0	1	ADDRESS #49
0	0	1	0	0	1	0	0	0	0	0	0	ADDRESS #18	1	1	0	0	1	0	0	ADDRESS #50
0	0	1	0	0	1	1	0	0	0	0	0	ADDRESS #19	1	1	0	0	1	1	0	ADDRESS #51
0	0	1	0	1	0	0	0	0	0	0	0	ADDRESS #20	1	1	0	1	0	0	0	ADDRESS #52
0	0	1	0	1	0	1	0	0	0	0	0	ADDRESS #21	1	1	0	1	0	1	0	ADDRESS #53
0	0	1	0	1	1	0	0	0	0	0	0	ADDRESS #22	1	1	0	1	1	0	0	ADDRESS #54
0	0	1	0	1	1	1	0	0	0	0	0	ADDRESS #23	1	1	0	1	1	1	0	ADDRESS #55
0	0	1	1	0	0	0	0	0	0	0	0	ADDRESS #24	1	1	1	0	0	0	0	ADDRESS #56
0	0	1	1	0	0	0	1	0	0	0	0	ADDRESS #25	1	1	1	0	0	1	0	ADDRESS #57
0	0	1	1	0	1	0	0	0	0	0	0	ADDRESS #26	1	1	1	0	1	0	0	ADDRESS #58
0	0	1	1	0	1	1	0	0	0	0	0	ADDRESS #27	1	1	1	0	1	1	0	ADDRESS #59
0	0	1	1	1	0	0	0	0	0	0	0	ADDRESS #28	1	1	1	1	0	0	0	ADDRESS #60
0	0	1	1	1	0	1	0	0	0	0	0	ADDRESS #29	1	1	1	1	0	1	0	ADDRESS #61
0	0	1	1	1	1	0	1	0	0	0	0	ADDRESS #30	1	1	1	1	1	0	0	ADDRESS #62
0	0	1	1	1	1	1	0	1	0	0	0	ADDRESS #31	1	1	1	1	1	1	0	ADDRESS #63

DIP1	DIP8	FUNCTION
1	0	SELF-TEST MODE
0	0	GONG USES BIT 1 UP (SINGLE) AND BIT 2 DOWN (DOUBLE)
0	1	GONG USES BIT 3 UP AND BIT 4 DOWN (BOTH SINGLE)
1	1	ECA MODE

DATE DRAWN: 03/03/08	DRAWN BY: DAC	REQUESTED BY: MW	 C.E. ELECTRONICS, INC. 2107 Industrial Drive Bryan, Ohio 43506 (419) 636-6705
BOARD NUMBER: 2641B and UP	LAST DATE REVISED: 11/19/09	APPROVED BY:	
PRODUCT: LANTERN/GONG DRIVER WITH RELAY OUTPUTS			DWG. NO.: OSRLD_01
			REV: B