

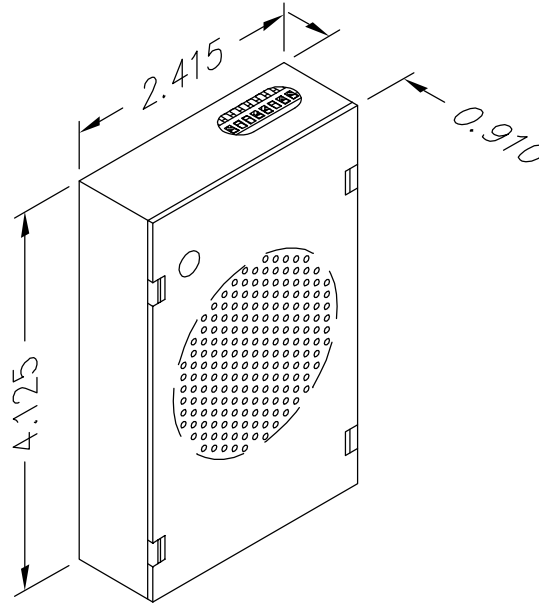
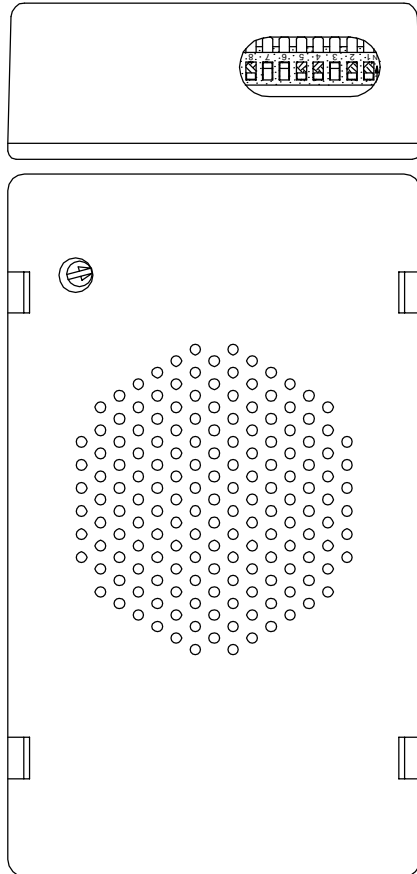


C.E. Electronics, Inc.
 2107 Industrial Drive
 Bryan, OH 43506
 PH (419) 636-6705 FX (419) 636-2516
 www.cееlectronics.com

OS3518-XX

Ver. 1 Rel. 5/04/2011

OTIS®
 411 SERIES



ARRIVAL GONG / LANTERN DRIVER

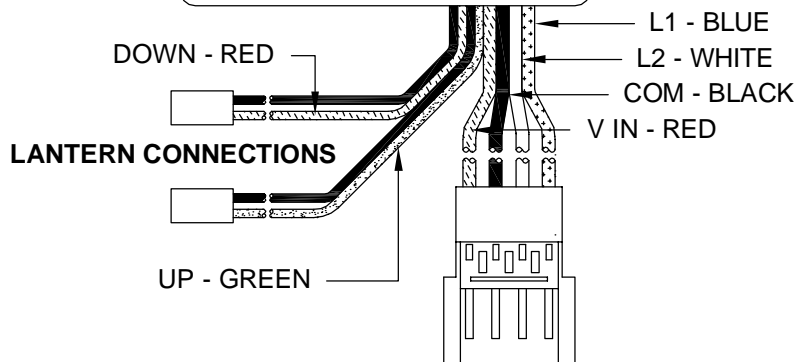
This unit is designed to sound: Arrival gong from the Otis Serial Link Controller.
 Solid State Output to drive LED or lamps at a maximum 250mA per output.

Typical Applications

- For car or hall audio indications

Features:

- Adjustable volume
- Arrival chime
- Compact Design
- Otis serial RSL Link
- Conforms to ADAAG 4.10.4
- Solid State output
- Maximum 250mA per output @ 24VDC



TO ORDER: SPECIFY OS3518 - X X

OUTPUT VOLTAGE:
 "12" = 12 VOLT - DC
 "24" = 24 VOLT - DC