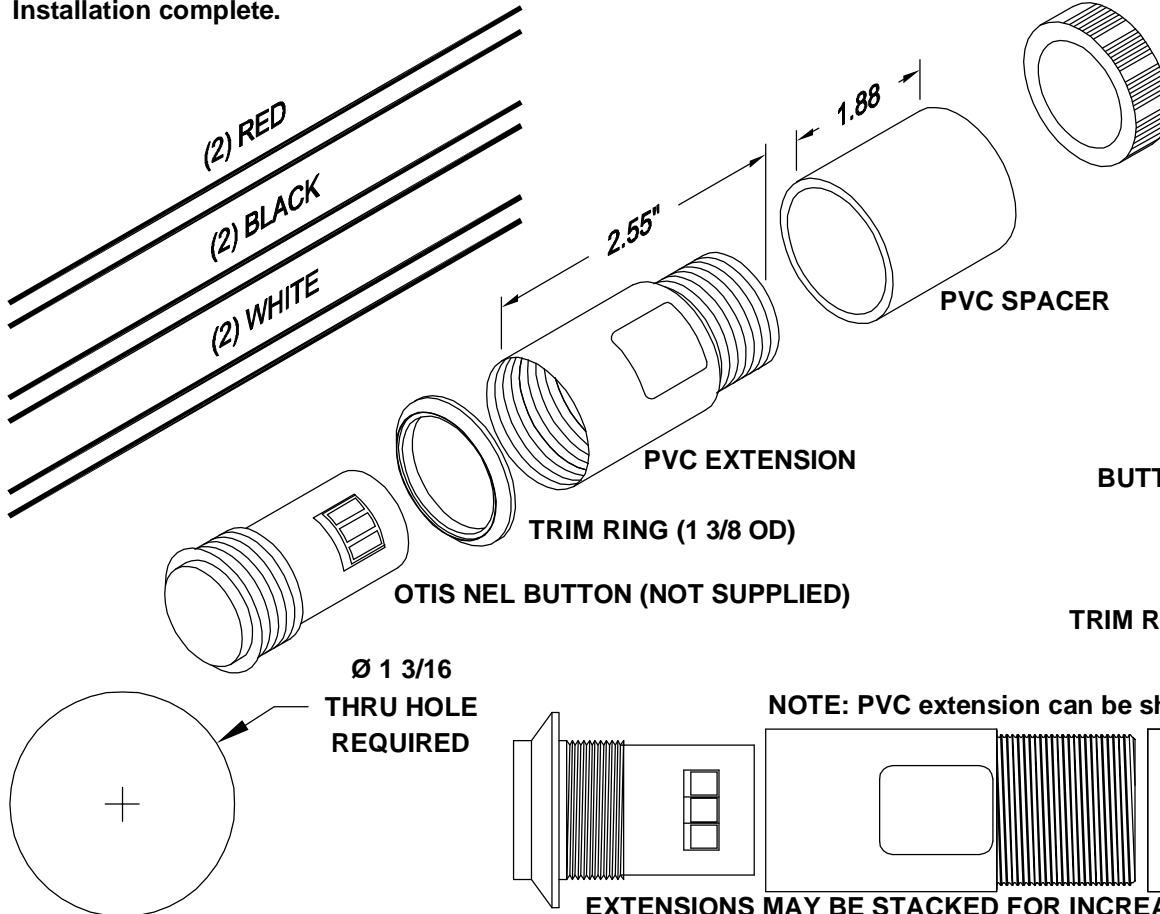




**Button Extension Installation Procedure:**

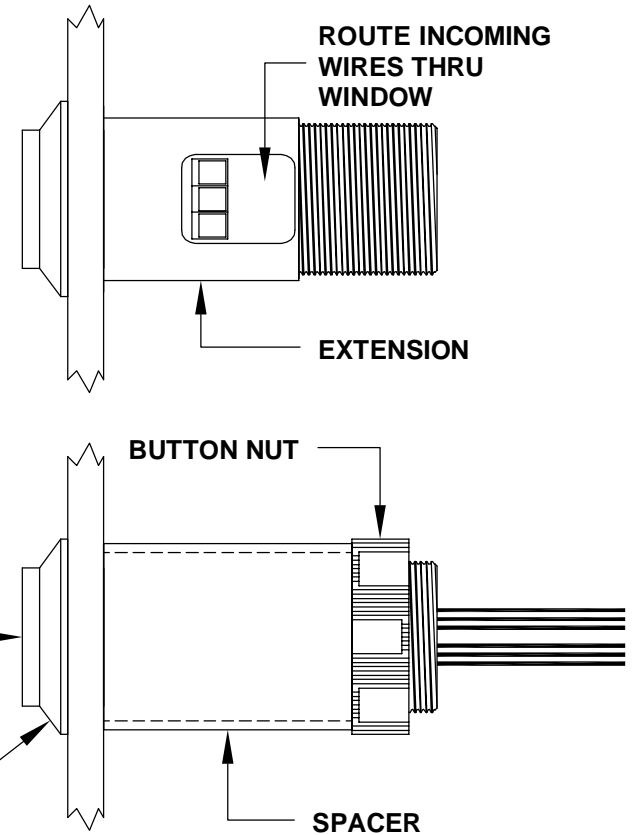
- Determine if a spacer is needed or what length is required and shorten as needed.
- Trim locating tab from button housing and install trim ring.
- Thread button into extension and "clock" the wire terminals into extension windows to allow wire installation.
- Insert supplied wires into the terminals thru the extension windows
- tighten terminals by accessing thru bottom of extension.
- Black wire to common terminal, Red wire to NC terminal and White wire to NO terminal.
- Pass wires into extension thru the window and out the bottom of the extension.
- Install button with extension into wall from front.
- Install PVC spacer onto extension, behind wall, and install button nut onto extension and tighten the assembly securely.
- Make connections to pigtail. Note: follow local codes.
- Test.
- Installation complete.



**ONEL-2  
 BUTTON EXTENDER**

This is a button extender designed to extend the standard Otis button. For use with 1/4 inch or more wall depths.

**TO ORDER - SPECIFY ONEL-2**



NOTE: PVC extension can be shortened if needed.  
 EXTENSIONS MAY BE STACKED FOR INCREASED DEPTH OF APPLICATION