

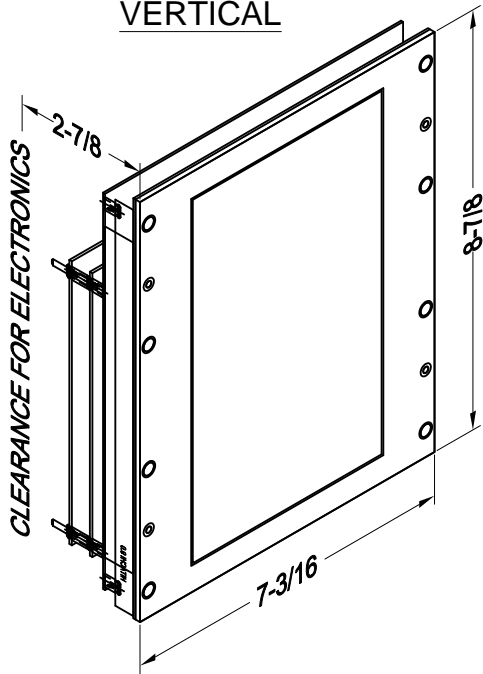


OMN90-DHX

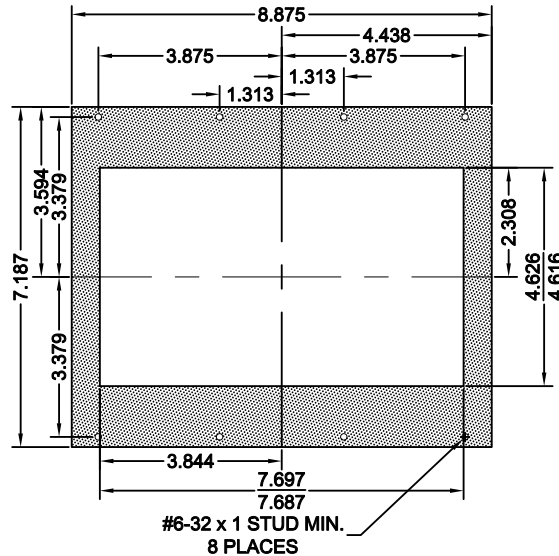
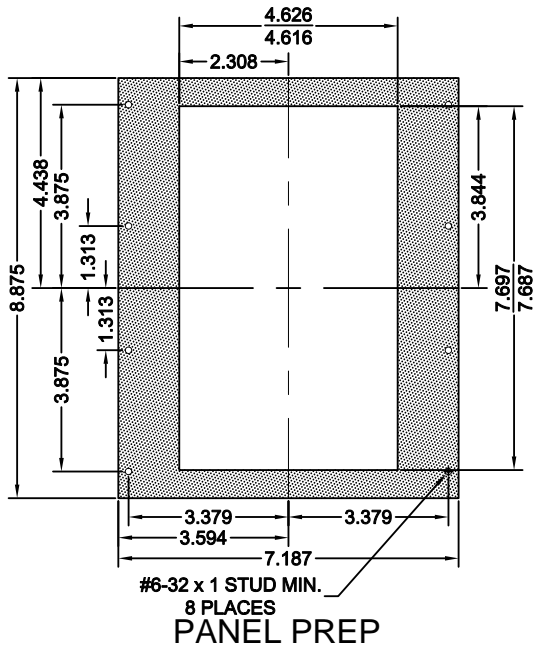
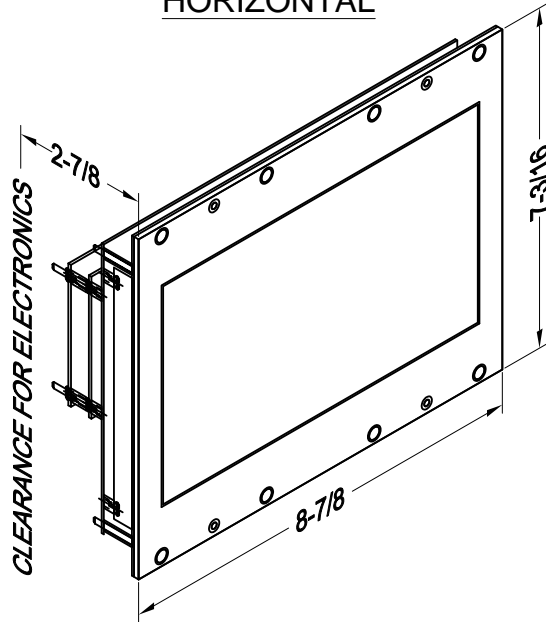
Ver. 1 Rel. 03/11/2021

OTIS

VERTICAL



HORIZONTAL



9.0 Inch Max

The Max is a flexible information indicator which can be customized for any building or corporation. This customization can reflect architectural elements, color schemes, with a full 256 color TFT screen and corporate identity. Within this customization, information can be presented to passengers regarding the elevator's current position and direction, arrival arrows along with priority messages from the controller. It's also designed to be a destination type display showing floors served when in destination mode. These units also have a non-movement selectable time blanking to help preserve backlight life.

Typical Applications

- Car operating panel
- Car transom
- Lobby/arrival
- Destination Display
- Messaging

Features:

- Passing chime output
- Self testing
- Low voltage
- Backlight saver function / default on 30 min.
- USB up datable
- Otis RSL / EMS inputs

TO ORDER: - OMN90 - DHX

"H" = HORIZONTAL
 "V" = VERTICAL

HORIZONTAL RELATED DRAWINGS	
DESCRIPTION	DRAWING NAME
PANEL PREP.	PP90-3
DETAIL DIM.	DD90-3
VERTICAL RELATED DRAWINGS	
DESCRIPTION	DRAWING NAME
PANEL PREP.	PP90-4
DETAIL DIM.	DD90-4

~ Some features may not be available for your system. Please check with your manufacture or engineering for special features. ~