

OMN65-BNH

6.5" MINI PI



OTIS

6.5" MINI PI

The Mini is a flexible information indicator which can be customized for any building or corporation. This customization can reflect architectural elements, color schemes, with a full 256 color TFT screen and corporate identity. Within this customization, information, can be presented to passengers regarding the elevator's current position and direction, arrival arrows and along with priority messages from the controller. It's also designed to be a destination type display showing floors served when in destination mode. These units also have a non-movement selectable time blanking to help preserve backlight life.

TYPICAL APPLICATIONS:

- > Car Operating Panel
- > Car Transom
- > Lobby/Arrival
- > Destination Display
- > Messaging

FEATURES:

- > Passing Chime Output
- > Self Testing
- > Low Voltage
- > Backlight Saver Function
/ Default on 30 minutes
- > USB Updatable
- > Otis RSL / EMS inputs

OTIS

Otis Elevator Company

Newberry Road

Bloomfield, CT

Ph: 860.676.6000

www.otisworldwide.com

Otis Worldwide





OMN65-BNH

Ver. 1 Rel. 09/28/2018

OTIS

6.5 Inch Mini

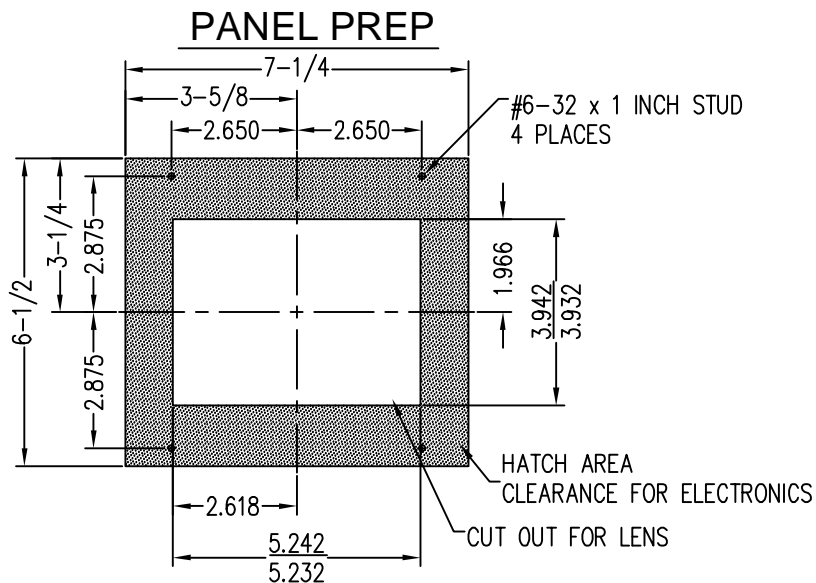
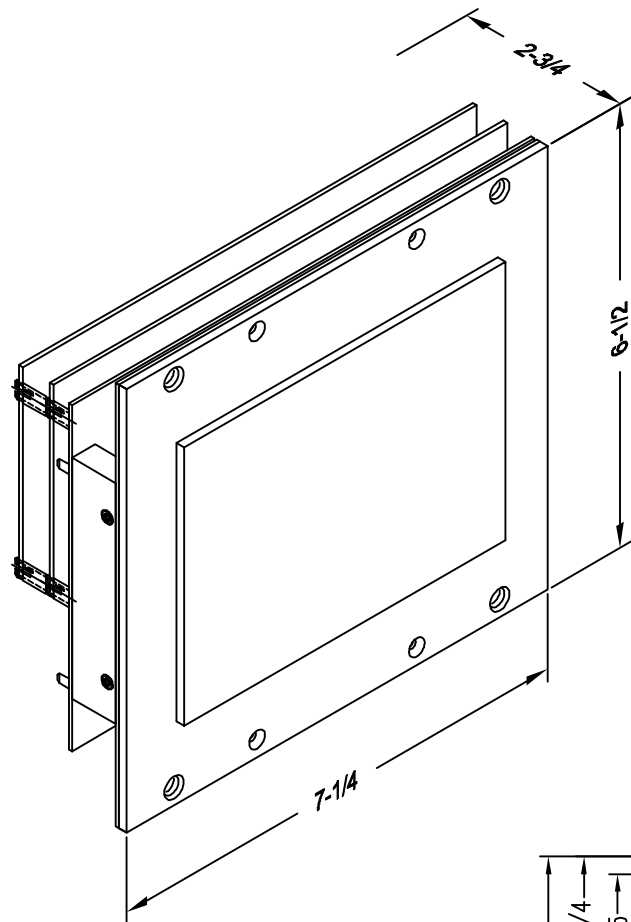
The Mini is a flexible information indicator which can be customized for any building or corporation. This customization can reflect architectural elements, color schemes, with a full 256 color TFT screen and corporate identity. Within this customization, information can be presented to passengers regarding the elevator's current position and direction, arrival arrows along with priority messages from the controller. It's also designed to be a destination type display showing floors served when in destination mode. These units also have a non-movement selectable time blanking to help preserve backlight life.

Typical Applications

- Car operating panel
- Car transom
- Lobby/arrival
- Destination Display
- Messaging

Features:

- Passing chime output
- Self testing
- Low voltage
- Backlight saver function / default on 30 min.
- USB up datable
- Otis RSL / EMS inputs



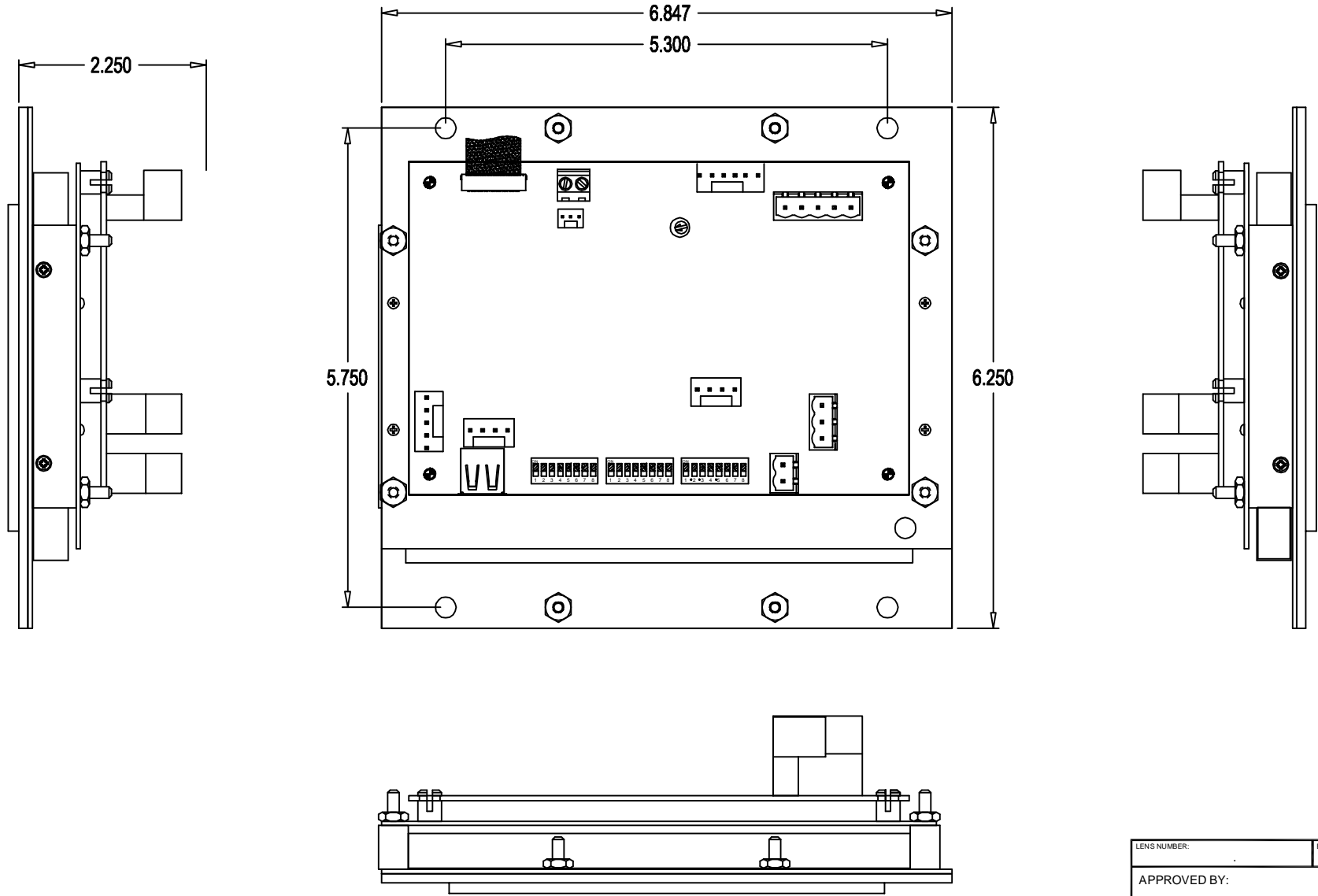
TO ORDER: - OMN65 - BNH

~ Some features may not be available for your system. Please check with your manufacture or engineering for special features. ~


DESCRIPTION	DRAWING NAME
PANEL PREP.	PP65-3
DETAIL DIM.	DD65-3

DD65-3

Ver. 2 Rel. 10/4/2018

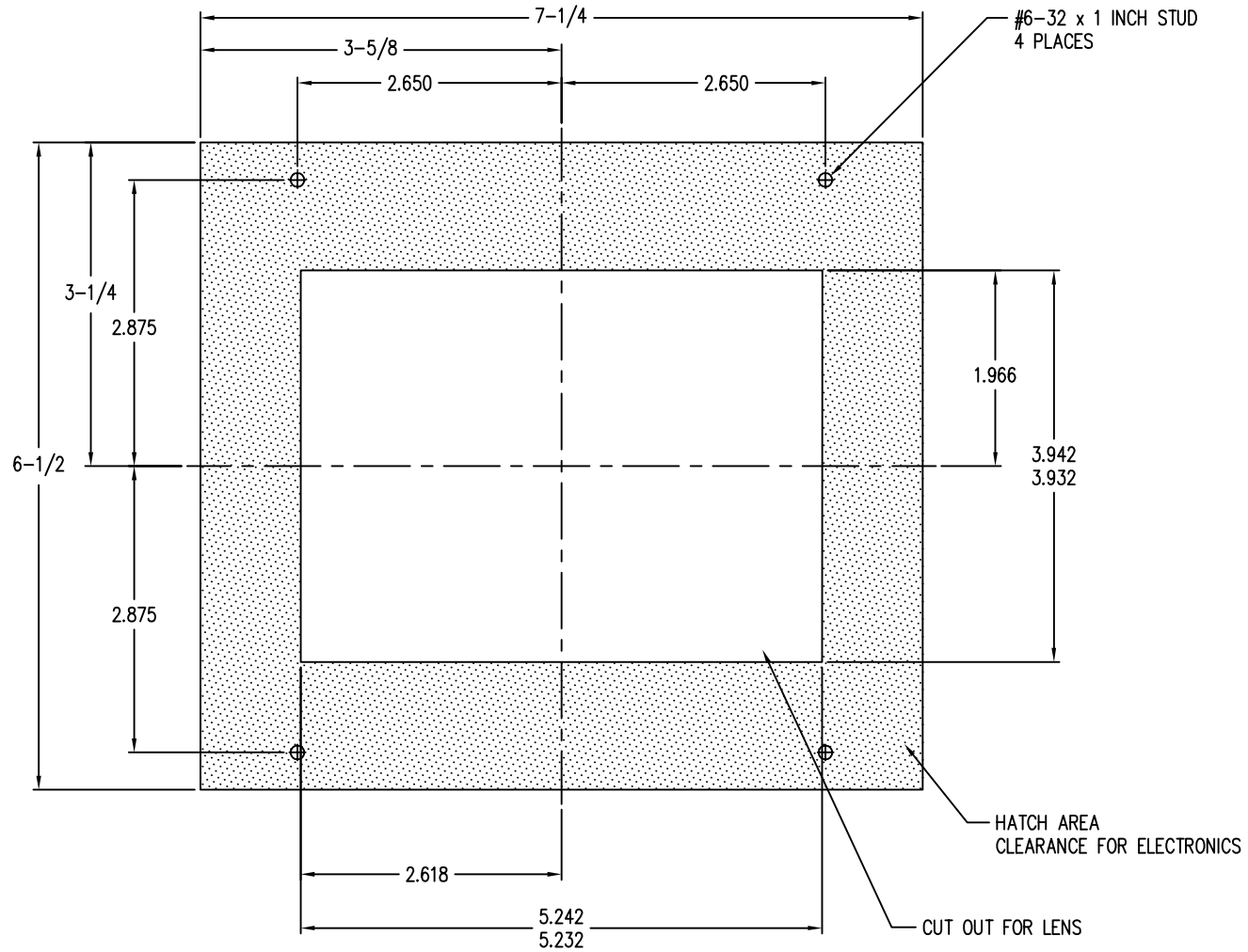


LENS NUMBER:	BOARD # & REV:
APPROVED BY:	
Signature: _____	
Date: _____	
Company: _____	

DATE DRAWN: 10/18/2011	LAST DATE REVISED 10/4/2018	SCALE NTS	PART #
DRAWN BY: RNT	TOLERANCE UNLESS OTHERWISE SPECIFIED:		 C. E. ELECTRONICS, INC. 2107 Industrial Drive Bryan, Ohio 43506 (419) 636-6705
REQUESTED BY:	TOLERANCE FOR CUTOUT (WINDOW):		
TITLE: 6.5 DIMENSIONAL DATA	DWG. NO. DD65-3	REV. A	

PP65-3

Ver. 1 Rel. 10/18/2011



LENS NUMBER:	BOARD # & REV:
APPROVED BY:	
Signature:	
Date:	
Company:	

DATE DRAWN: 10/18/2011	LAST DATE REVISED	SCALE NTS	PART #
DRAWN BY: RNT	TOLERANCE UNLESS OTHERWISE SPECIFIED:		
REQUESTED BY:	TOLERANCE FOR CUTOUT (WINDOW):		
TITLE: 6.5 PANEL PREP	DWG. NO. PP65-3	REV.	


C.E. ELECTRONICS, INC.
 2107 Industrial Drive
 Bryan, Ohio 43506
 (419) 636-6705