



C.E. Electronics, Inc.
 2107 Industrial Drive
 Bryan, OH 43506
 PH (419) 636-6705 FX (419) 636-2516
 www.cseelectronics.com

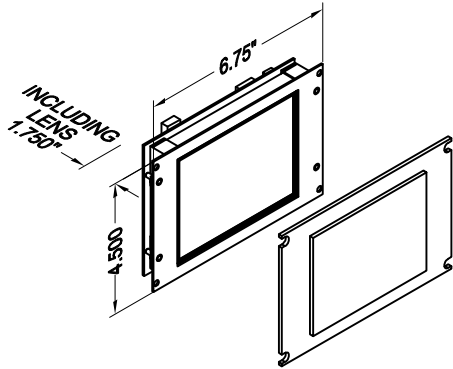
OMN57-BXX

Ver. 3 Rel. 4/03/2014

MINI PI™

5.7" Mini

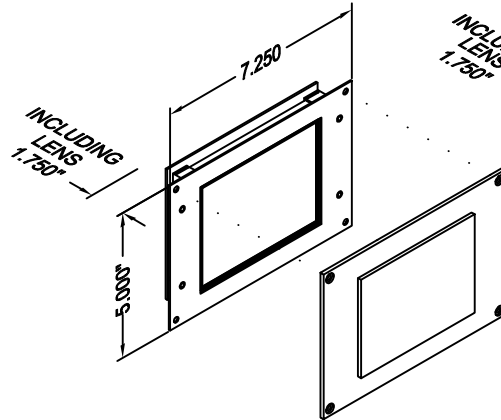
The Mini PI is a flexible position indicator which can be customized for any building or corporation. This customization can reflect architectural elements, color schemes, and corporate identity. Within this customization, information can be presented to passengers regarding the elevator's current position and direction, arrival arrows along with priority messages from the controller. It's also designed to be a destination type display showing floors served when in destination mode. They are full color, have simple voice options and are USB updatable. These units also have a non-movement blanking to help preserve backlight life.



SMALL

PANEL PREP

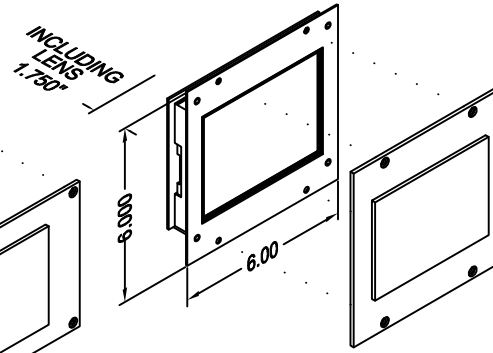
AS VIEWED FROM FRONT



HORIZONTAL

PANEL PREP

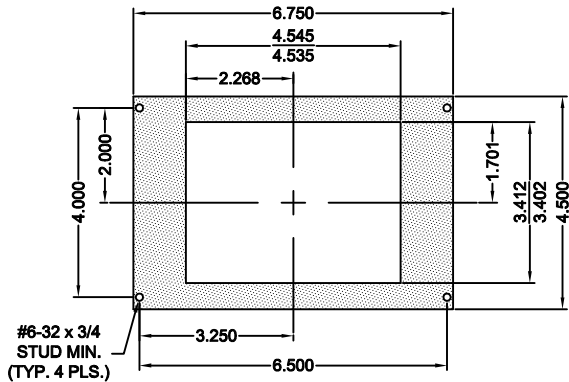
AS VIEWED FROM FRONT



VERTICAL

PANEL PREP

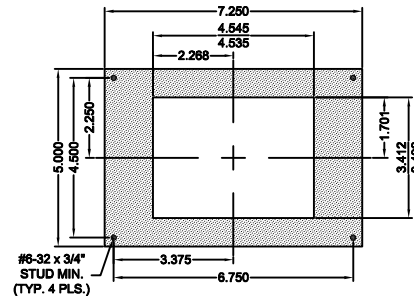
AS VIEWED FROM FRONT



SMALL

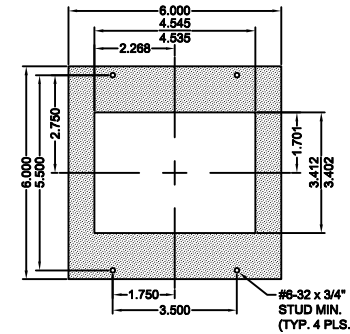
OMN57-BSX RELATED DRAWINGS	
DESCRIPTION	DRAWING NAME
PANEL PREP.	PP57-3
DETAIL DIM.	DD57-3

* STANDARD PART *



HORIZONTAL

OMN57-BHX RELATED DRAWINGS	
DESCRIPTION	DRAWING NAME
PANEL PREP.	PP57-1
DETAIL DIM.	DD57-1



VERTICAL

OMN57-BVX RELATED DRAWINGS	
DESCRIPTION	DRAWING NAME
PANEL PREP.	PP57-2
DETAIL DIM.	DD57-2

Typical Applications

- Car operating panel
- Car transom
- Lobby / arrival arrows
- Destination Display
- Message

Features:

- Simple voice
- Passing chime output
- Self test
- USB Updatable
- Low profile
- Destination Display
- Backlight saver function / default on
- Otis RSL input

NOTE:

Standard lens: add .125".

Depth includes room for reasonable wiring space.

~Some features may not be available for your system. Please check with your manufacture or engineering for special features. ~

TO ORDER: - OMN57 - BXX

"H" = HORIZONTAL

"V" = VERTICAL

"S" = SMALL

"X" = NO SPEAKER

"S" = SPEAKER

"G" = GONG SPEAKER