



OMN43-BXX

Ver. 6 Rel. 11/21/2016

OTIS

4.3 INCH Mini

The Mini is a flexible information indicator which can be customized for any building or corporation. This customization can reflect architectural elements, color schemes, and corporate identity. Within this customization, information can be presented to passengers regarding the elevator's current position and direction, arrival arrows along with priority messages from the controller. It's also designed to be a destination type display showing floors served when in destination mode. These units also have a non-movement blanking to help preserve backlight life.

Typical Applications

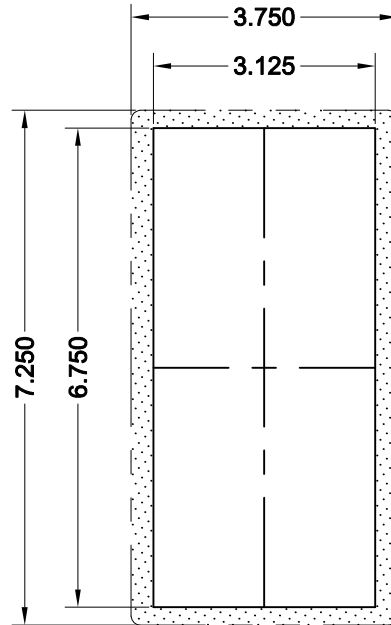
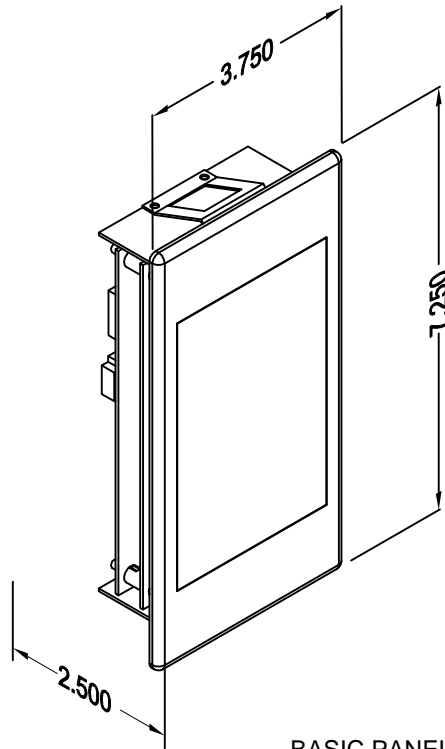
- Car operating panel
- Car transom
- Lobby/arrival
- Destination Display
- Messaging

Features:

- Passing chime output
- Self testing
- USB Updatable
- Low profile
- Destination Display
- Backlight saver function / default on
- Otis RSL input

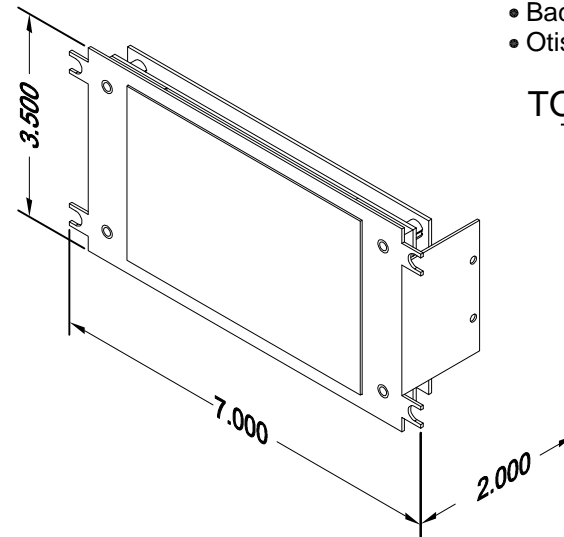
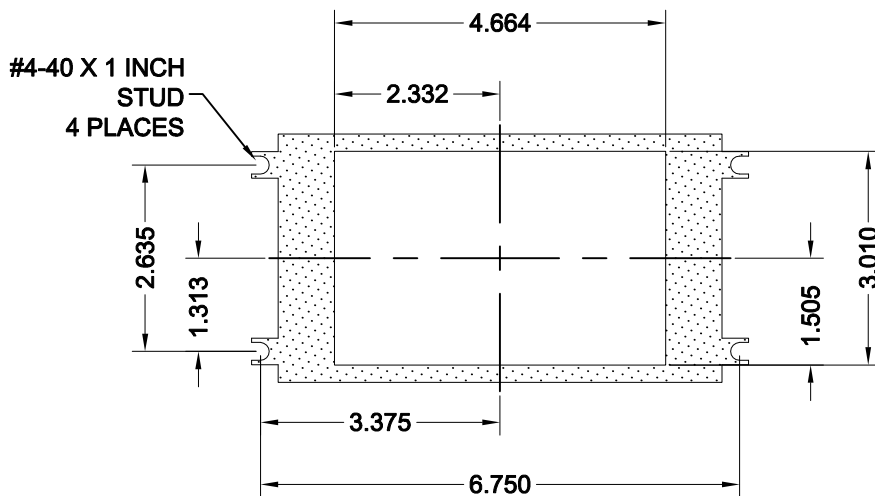
TO ORDER: - OMN43 - B X X

"1" = BASIC
 "2" = SNAP IN STAINLESS
 "V" = VERTICAL
 "H" = HORIZONTAL



SNAP-IN PANEL PREP (VERTICAL)
 ROTATE 90° FOR HORIZONTAL

BASIC PANEL PREP (HORIZONTAL)
 ROTATE 90° FOR VERTICAL



Some features may not be available for your system. Please check with manufacture for special features.

BASIC RELATED DRAWINGS	
DESCRIPTION	DRAWING NAME
PANEL PREP.	PP43-1
DETAIL DIM.	DD43-1
SNAP-IN RELATED DRAWINGS	
DESCRIPTION	DRAWING NAME
PANEL PREP.	PP43-2
DETAIL DIM.	DD43-2