

OMN104-ACX

10.4" MAX



OTIS

10.4" MAX

The Max is a flexible information indicator which can be customized for any building or corporation. This customization can reflect architectural elements, color schemes, with a full 256 color TFT screen and corporate identity. Within this customization, information can be presented to passengers regarding the elevator's current position and direction, arrival arrows along with priority messages from the controller. It's also designed to be a destination type display showing floors served when in destination mode. These units also have a non-movement selectable time blanking to help preserve backlight life.

TYPICAL APPLICATIONS:

- > Car Operating Panel
- > Car Transom
- > Lobby/Arrival
- > Destination Display
- > Messaging

FEATURES:

- > Passing Chime Output
- > Self Testing
- > Low Voltage
- > Backlight Saver Function
/ Default on 30 minutes
- > USB Updatable
- > Otis RSL / EMS inputs

OTIS

Otis Elevator Company

Newberry Road

Bloomfield, CT

Ph: 860.676.6000

www.otisworldwide.com

Otis Worldwide



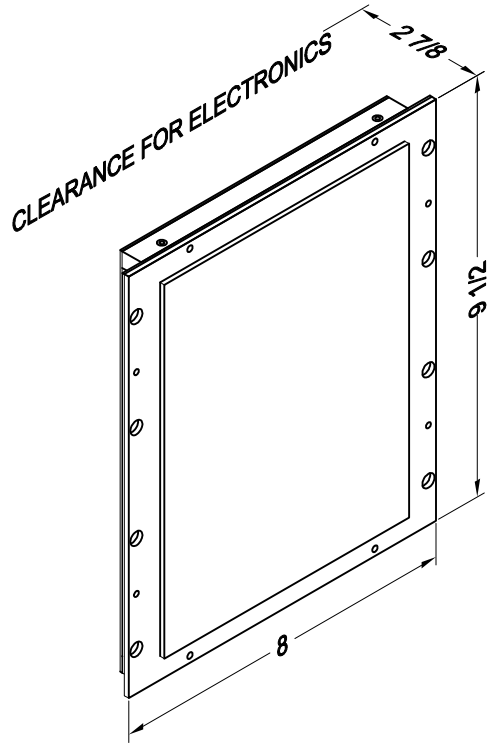


OMN104-ACX

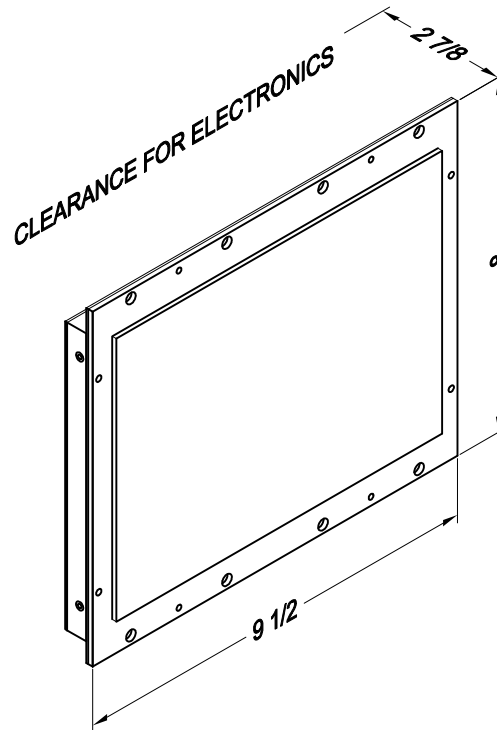
Ver. 3 Rel. 03/05/2012

OTIS

VERTICAL



HORIZONTAL



10.4" Max

The Max is a flexible information indicator which can be customized for any building or corporation. This customization can reflect architectural elements, color schemes, with a full 256 color TFT screen and corporate identity. Within this customization, information can be presented to passengers regarding the elevator's current position and direction, arrival arrows along with priority messages from the controller. It's also designed to be a destination type display showing floors served when in destination mode. These units also have a non-movement selectable time blanking to help preserve backlight life.

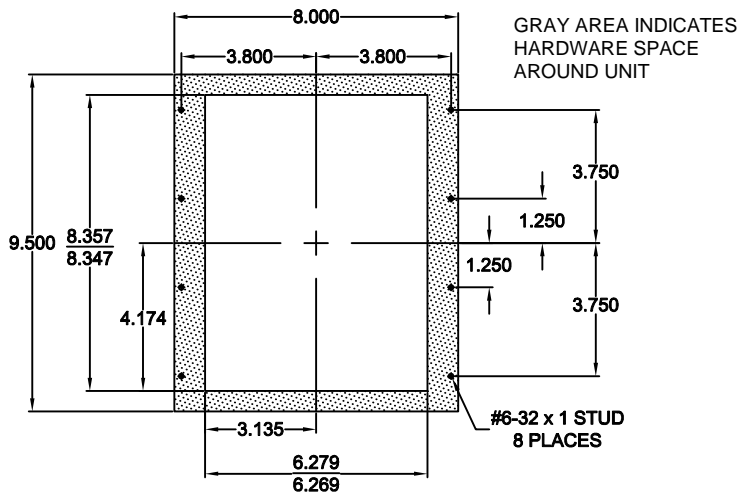
Typical Applications

- Car operating panel
- Car transom
- Lobby/arrival
- Destination Display
- Messaging

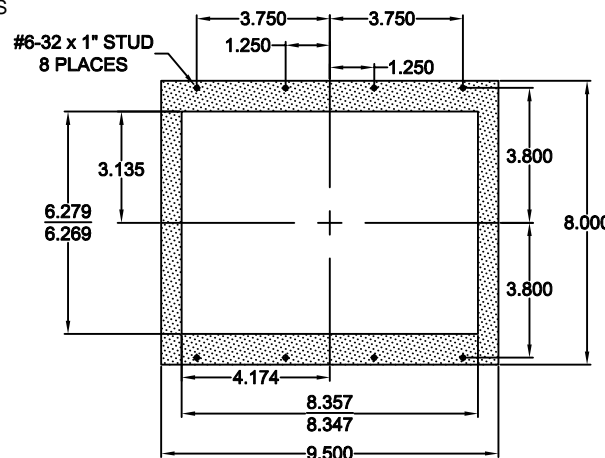
Features:

- Passing chime output
- Self testing
- Low voltage
- Backlight saver function / default on 30 min.
- USB up datable
- Otis RSL / EMS inputs

PANEL PREP



PANEL PREP



TO ORDER: - OMN104 - ACX

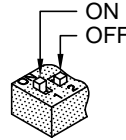
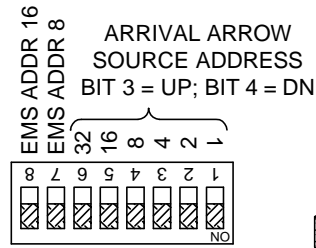
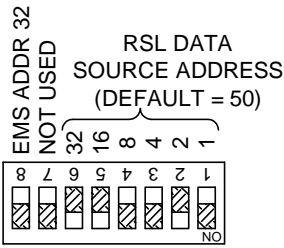
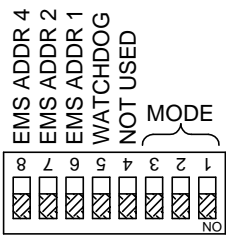
"H" = HORIZONTAL
 "V" = VERTICAL

HORIZONTAL RELATED DRAWINGS	
DESCRIPTION	DRAWING NAME
PANEL PREP.	PP104-12
DETAIL DIM.	DD104-12
VERTICAL RELATED DRAWINGS	
DESCRIPTION	DRAWING NAME
PANEL PREP.	PP104-13
DETAIL DIM.	DD104-13

~ Some features may not be available for your system. Please check with your manufacture or engineering for special features. ~

OMN104

JOB# _____



CE3564 ___ ARM CODE VERSION _____

CE3249 ___ MINI CODE VERSION _____

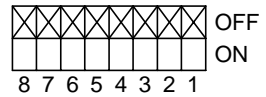
DESIGN VERSION _____

AUDIO VERSION _____

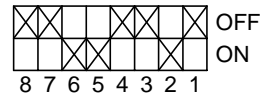
CRCG _____ OCDL CRC _____

CRCA _____ ODAA CRC _____

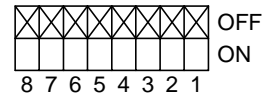
S1 DEFAULT SETTINGS



S2 DEFAULT SETTINGS



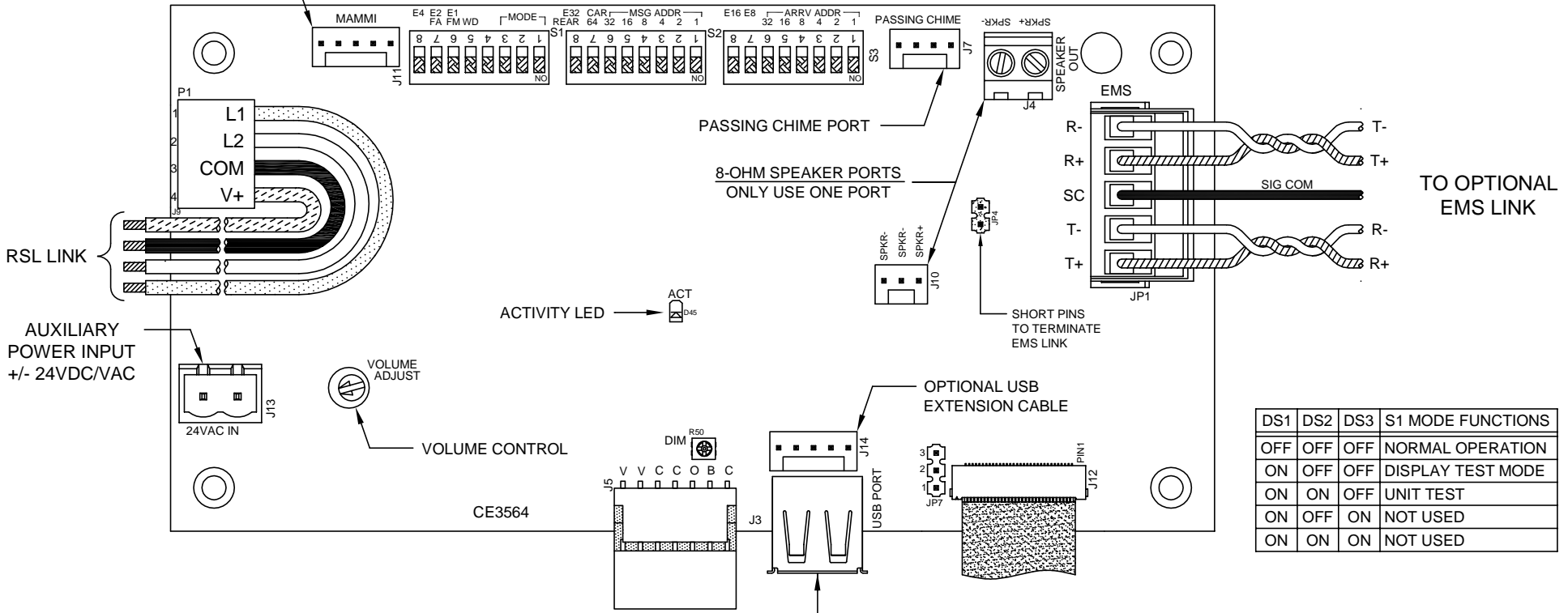
S3 DEFAULT SETTINGS



EMS ADDRESS _____						
EXAMPLE: EMS ADDR 37	ON (32)	OFF (0)	OFF(0)	ON (4)	OFF (0)	ON (1)
SWITCH (BIT VALUE)	S2-8 (32)	S3-8 (16)	S3-7 (8)	S1-8 (4)	S1-7 (2)	S1-6 (1)

32+4+1=37

MESSAGE MODULE PORT



DS1	DS2	DS3	S1 MODE FUNCTIONS
OFF	OFF	OFF	NORMAL OPERATION
ON	OFF	OFF	DISPLAY TEST MODE
ON	ON	OFF	UNIT TEST
ON	OFF	ON	NOT USED
ON	ON	ON	NOT USED

NOTE: TYPICAL CURRENT DRAW IS 500 mA

USB PORT FOR PROGRAM UPDATES

DATE DRAWN: 11/02/11	DRAWN BY: DAC	REQUESTED BY: TE	<p>C.E. ELECTRONICS, INC. 2107 Industrial Drive Bryan, Ohio 43506 (419) 636-6705</p>
BOARD NUMBER: 3249, 3564	LAST DATE REVISED: -	APPROVED BY:	
PRODUCT OMN104 MINI-TFT DISPLAY	DWG. NO. OMNTFT_01	REV: -	

The serial link must contain the following Otis data at the specified addresses for the display to work properly. Select the RSL Data address by setting S2, DIP switches 1-6 using the binary number for the desired address. The board reads five continuous addresses beginning with the address determined by the DIP switch setting. For example, if the DIP switch is set to address 50 (default), the board reads the bits at addresses 50-54.

DIP switch address - selected by the S2 DIP switch on the unit (Default 50):

Bit 1 - FDO	Front Door Open	>>>>>>	Either of these will activate the play voice strobe,
Bit 2 - RDO	Rear Door Open	>>>>>>	but also control which lantern inputs are read.
Bit 3 - Not Used			
Bit 4 - LPT	Landing Passing Tone		Passing Chime

DIP switch address +1 (Default 51):

Bit 3 - CUML	Car Up Motion Lamp	Travel Up Arrow
Bit 4 - CDML	Car Down Motion Lamp	Travel Down Arrow

DIP switch address +2 (Default 52):

Bit 1 - SESL	Fire Hat Jewel in COP	<u>Priority</u>
Bit 2 - FSL/RFSL	Fire Service Lamp	1
Bit 3 - FNDG/RNDG	Front/Rear Nudging	2
Bit 4 - ISCL	Independent Service Lamp	3
		4

DIP switch address +3 (Default 53):

Bit 1 - OLS	Overload Lamp	5
Bit 2 - Available	Message Six	6
Bit 3 - Available	Message Seven	7
Bit 4 - Available	Message Eight	8

DIP switch address +4 (Default 54):

Bit 3 and bit 4 contain Lantern UP and Lantern DOWN data when the arrival arrow address on S3 is set to zero.

NOTE: At DIP switch address +1 and +4, bits 1 and 2 are not used. Also, the messages listed at DIP switch address +2 and +3 are the default messages, but any signal can be used to trigger a message at the corresponding bit location.

Set the EMS Address (if used) using the following DIP switches in a binary format: S1-6 (1), S1-7 (2), S1-8 (4), S3-7 (8), S3-8 (16), and S2-8 (32).

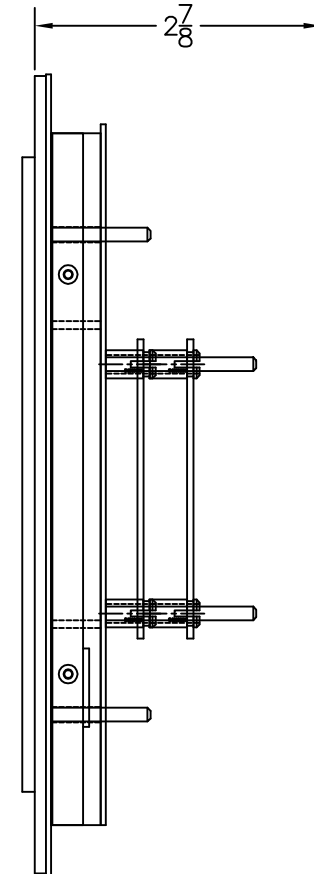
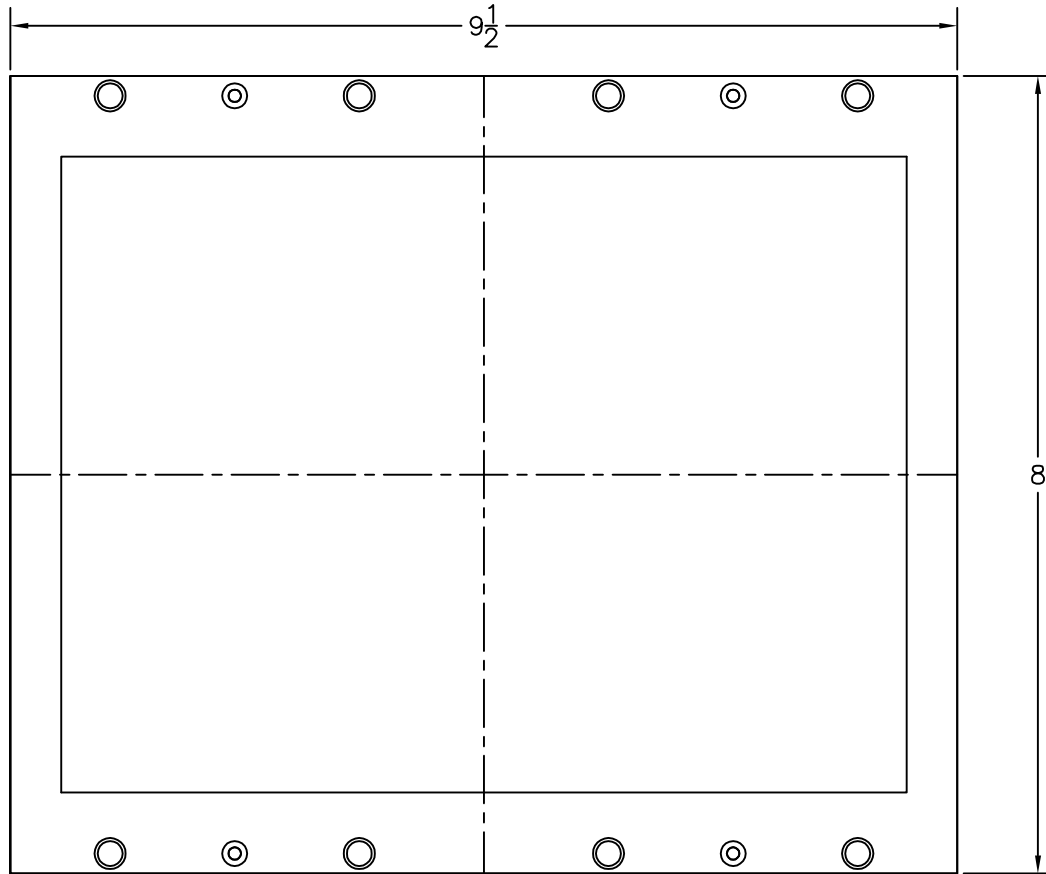
Signal Name	GEN2 - E311M/E411M - GEM/MVS - E335M	LRVF - 211M/LVM
FDO	437	181
RDO	438	182
LPT	393	137
CUML	468	212
CDML	467	211
FSL	387	131
RFSL	416	160
FNDG	441	185
RNDG	442	186
FSILC	-	195
ISCL	389	133
OLS	396	140
PFL	397	141
EQL	383	127
CDLU	380	124
CDLD	378	122
RCDLU	401	145
RCDLD	399	143
CDLU2	754	259
CDLD2	755	258
RCDLU2	756	261
RCDLD2	757	260

NOTE: The CDLX2 signal is not HLSET dependent and is preferred for CE fixtures.


For destination-based systems, please contact C.E. Electronics Customer Service (419-636-6705) for more information.

DD104-12

Ver. 1 Rel. 12/20/2011

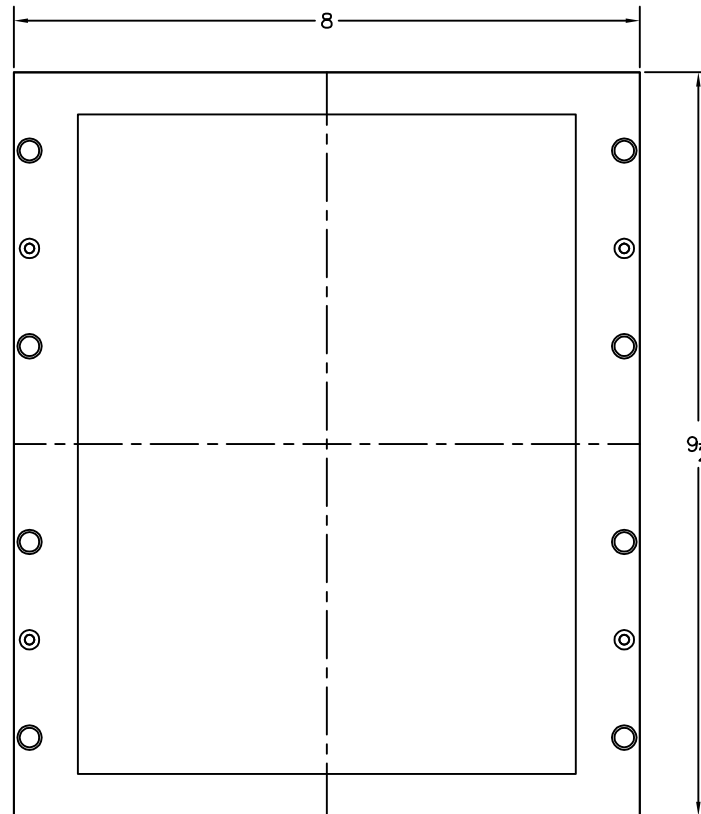
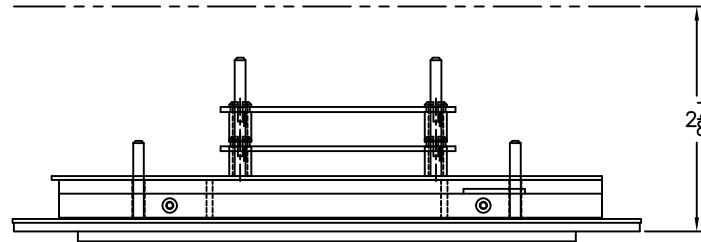


LENS NUMBER:	BOARD # & REV:
APPROVED BY:	
Signature: _____	
Date: _____	
Company: _____	


DATE DRAWN: 12/19/2011	LAST DATE REVISED 3/05/2012	SCALE NONE	PART #:
DRAWN BY: DWS	TOLERANCE UNLESS OTHERWISE SPECIFIED: +0.015, -0.015	 C.E. ELECTRONICS, INC. 2107 Industrial Drive Bryan, Ohio 43506 (419) 636-6705	
REQUESTED BY:	TOLERANCE FOR CUTOUT (WINDOW): +0.020, -0.000		
TITLE: DETAIL DIM FOR EMN104-ACH		DWG. NO. DD104-12	REV: A

DD104-13

Ver. 1 Rel. 12/20/2011



LENS NUMBER:	BOARD # & REV:
APPROVED BY:	
Signature: _____	
Date: _____	
Company: _____	

DATE DRAWN: 12/19/2011	LAST DATE REVISED 3/05/2012	SCALE NONE	PART #:
DRAWN BY: DWS	TOLERANCE UNLESS OTHERWISE SPECIFIED: +0.015, -0.015		 C.E. ELECTRONICS, INC. 2107 Industrial Drive Bryan, Ohio 43506 (419) 636-6705
REQUESTED BY:	TOLERANCE FOR CUTOUT (WINDOW): +0.020, -0.000		
TITLE: DETAIL DIM FOR EMN104-ACV			DWG. NO. DD104-13
			REV: A