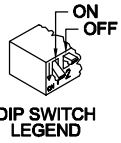
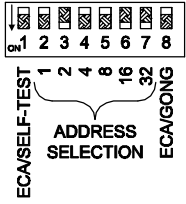
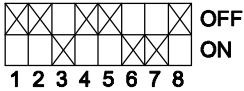


DIP SWITCH DETAIL



DEFAULT SETTINGS



THE EEPROM IS USED TO DISPLAY DIFFERENT CHARACTERS THAN ARE RECEIVED. USE THE "OCDL.EXE" PROGRAM TO CREATE EEPROM DATA.

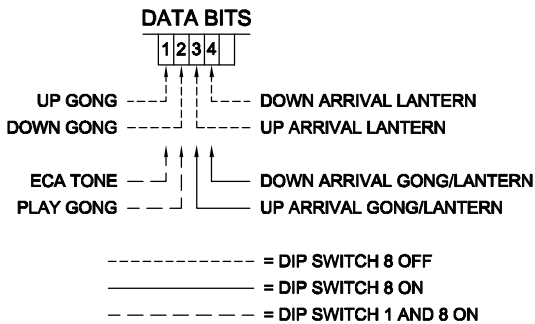
GONG VOLUME CONTROL AND DIP SWITCH ARE RIGHT-ANGLE DEVICES AND ARE MOUNTED ON THE FRONT OF THE BOARD.

CHART TO SELECT ADDRESS WITH DIP SWITCH

DIP SWITCH #	VALUE					ADDRESS
	32	16	8	4	2	
7	6	5	4	3	2	ADDRESS
0	0	0	0	0	0	INVALID
0	0	0	0	0	0	INVALID
0	0	0	0	0	0	INVALID
0	0	0	0	0	0	INVALID
0	0	0	1	0	0	ADDRESS #4
0	0	0	1	0	1	ADDRESS #5
0	0	0	1	1	0	ADDRESS #6
0	0	0	1	1	1	ADDRESS #7
0	0	1	0	0	0	ADDRESS #8
0	0	1	0	0	1	ADDRESS #9
0	0	1	0	1	0	ADDRESS #10
0	0	1	0	1	1	ADDRESS #11
0	0	1	1	0	0	ADDRESS #12
0	0	1	1	0	1	ADDRESS #13
0	0	1	1	1	0	ADDRESS #14
0	0	1	1	1	1	ADDRESS #15
0	1	0	0	0	0	ADDRESS #16
0	1	0	0	0	1	ADDRESS #17
0	1	0	0	1	0	ADDRESS #18
0	1	0	0	1	1	ADDRESS #19
0	1	0	1	0	0	ADDRESS #20
0	1	0	1	0	1	ADDRESS #21
0	1	0	1	1	0	ADDRESS #22
0	1	0	1	1	1	ADDRESS #23
0	1	1	0	0	0	ADDRESS #24
0	1	1	0	0	1	ADDRESS #25
0	1	1	0	1	0	ADDRESS #26
0	1	1	0	1	1	ADDRESS #27
0	1	1	1	0	0	ADDRESS #28
0	1	1	1	0	1	ADDRESS #29
0	1	1	1	1	0	ADDRESS #30
0	1	1	1	1	1	ADDRESS #31
1	0	0	0	0	0	ADDRESS #32
1	0	0	0	0	1	ADDRESS #33
1	0	0	0	1	0	ADDRESS #34
1	0	0	0	1	1	ADDRESS #35
1	0	0	1	0	0	ADDRESS #36
1	0	0	1	0	1	ADDRESS #37
1	0	0	1	1	0	ADDRESS #38
1	0	0	1	1	1	ADDRESS #39
1	0	1	0	0	0	ADDRESS #40
1	0	1	0	0	1	ADDRESS #41
1	0	1	0	1	0	ADDRESS #42
1	0	1	0	1	1	ADDRESS #43
1	0	1	1	0	0	ADDRESS #44
1	0	1	1	0	1	ADDRESS #45
1	0	1	1	1	0	ADDRESS #46
1	0	1	1	1	1	ADDRESS #47
1	1	0	0	0	0	ADDRESS #48
1	1	0	0	0	1	ADDRESS #49
1	1	0	0	1	0	ADDRESS #50
1	1	0	0	1	1	ADDRESS #51
1	1	0	1	0	0	ADDRESS #52
1	1	0	1	0	1	ADDRESS #53
1	1	0	1	1	0	ADDRESS #54
1	1	0	1	1	1	ADDRESS #55
1	1	1	0	0	0	ADDRESS #56
1	1	1	0	0	1	ADDRESS #57
1	1	1	0	1	0	ADDRESS #58
1	1	1	0	1	1	ADDRESS #59
1	1	1	1	0	0	ADDRESS #60
1	1	1	1	0	1	ADDRESS #61
1	1	1	1	1	0	ADDRESS #62
1	1	1	1	1	1	ADDRESS #63

CODE VERSION _____

BOARD VERSION CE3164 _____



DIP1	DIP8	FUNCTION
1	0	SELF-TEST MODE
0	0	GONG USES BIT 1 UP (SINGLE) AND BIT 2 DOWN (DOUBLE)
0	1	GONG USES BIT 3 UP AND BIT 4 DOWN (BOTH SINGLE)
1	1	ECA MODE

The following Otis data must be furnished at the specified addresses for the Otis Serial Indicator to work properly. The address is selected by setting DIP switches 2-7 as shown on the back of this page. The board reads the address determined by the DIP switch setting. For example, if the DIP switch is set to address 50, the board will read the bits at address 50.

At DIP switch address—selected by the DIP switch on the unit (Default 50):

Normal Operation

DIP switch 1 puts the unit in self-test mode.

DIP switch 1 and DIP switch 8 OFF:

- Bit 1—Up Gong (Single)
- Bit 2—Down Gong (Double)
- Bit 3—Up Arrival Arrow/Lantern
- Bit 4—Down Arrival Arrow/Lantern

DIP switch 1 OFF and DIP switch 8 ON:

- Bit 1—Not Used
- Bit 2—Not Used
- Bit 3—Up Arrival Arrow/Lantern and Up Gong (Single)
- Bit 4—Down Arrival Arrow/Lantern and Down Gong (Single)

ECA Operation

DIP switches 1 and 8 ON puts the unit in ECA Mode:

- Bit 1—ECA Tone
- Bit 2—Play Gong
- Bit 3—Up Arrival Arrow/Lantern (Single Gong)
- Bit 4—Down Arrival Arrow/Lantern (Double Gong)

The unit display can substitute different floor characters for the ones the controller sends, and it can switch between floor characters and ASCII characters for a message. To display alternative floor characters or messages, an EEPROM created using the OCDL.EXE program must be installed in the unit. Message characters alternate with floor characters every second.

Messages use the two addresses following the address set by the DIP switch.

DIP switch address +1 (Default 51): Priority

- | | | |
|-----------------|---------------------|---|
| Bit 1—FSL/RFSL | Fire Service Lamp | 1 |
| Bit 2—Available | Message Two | 2 |
| Bit 3—FNDG/RNDG | Front/Rear Nudging | 3 |
| Bit 4—ISCL | Independent Service | 4 |

DIP switch address +2 (Default 52):

- | | | |
|------------------|---------------|---|
| Bit 1—OLS | Overload Lamp | 5 |
| Bit 2— Available | Message Six | 6 |
| Bit 3— Available | Message Seven | 7 |
| Bit 4— Available | Message Eight | 8 |

NOTE: If messages are not programmed in the EEPROM, these two addresses are available for other devices, such as other position indicators.