



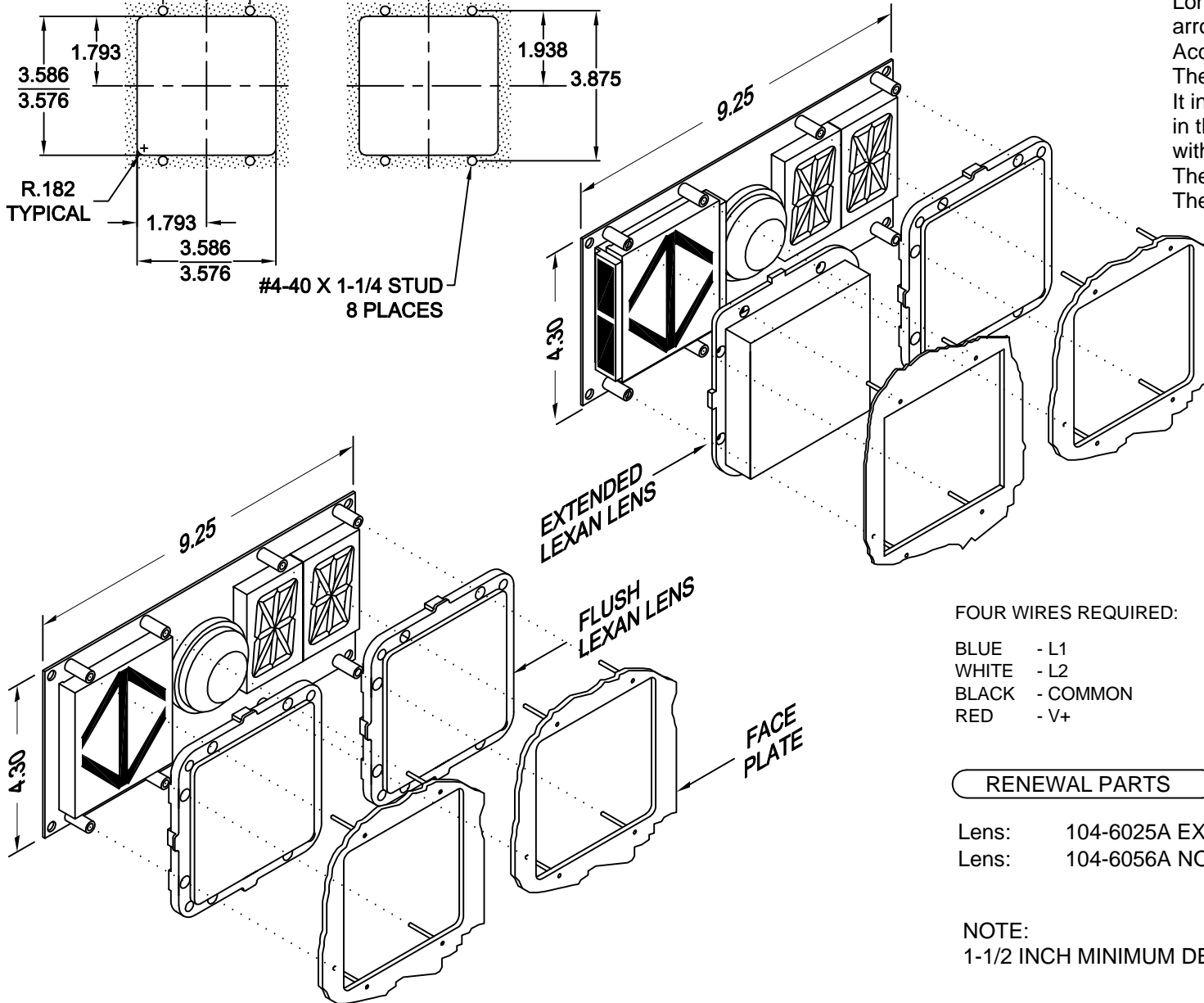
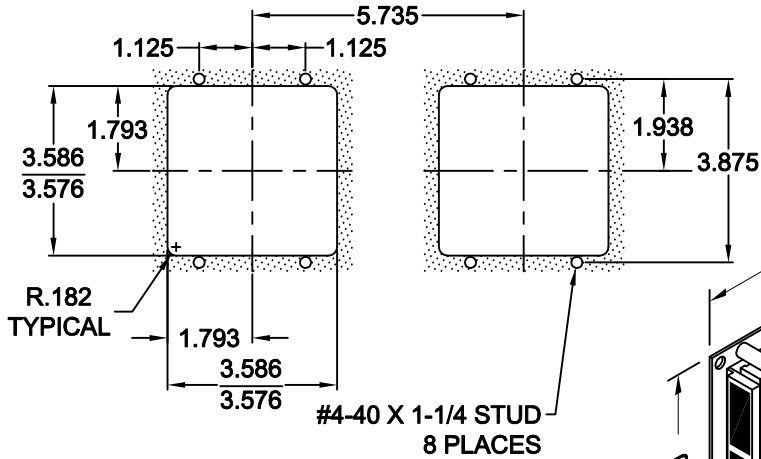
C.E. Electronics, Inc.  
 2107 Industrial Drive  
 Bryan, OH 43506  
 PH (419) 636-6705 FX (419) 636-2516  
 www.ccelectronics.com

# OHETC-XX

Ver. 6 Rel. 2/11/2019

OTIS

## PANEL PREPARATION



## OHETC-XX

### 3.0 INCH LED EXTENDED ARROW

Long life, solid state bi-color, white or blue arrow for lanterns, 100,000 hour rated life. Accepts existing signals over the Otis RSL link. The unit has a double digit 2 inch display. It includes a bi-color arrow which is green in the up direction and red in the down with matching side bars for 180° viewing. The unit is also equipped with an arrival gong. The programming is dip switch selectable.

### Typical Applications

- Hall and car lanterns
- P.I. combo w/180° Viewing angle

### Features

- Bi-color, solid white or blue 3 inch arrow
- 2 inch characters
- Solid side bar/arrow
- 180° viewing angle lantern
- 1 year factory warranty
- Conforms to ADAAG 4.10.4
- Includes gong
- RSL input
- ECA capable

### FOUR WIRES REQUIRED:

- BLUE - L1
- WHITE - L2
- BLACK - COMMON
- RED - V+

### TO ORDER - SPECIFY OHETC-XX

### RENEWAL PARTS

- Lens: 104-6025A EXT.
- Lens: 104-6056A NON EXT.

NOTE:  
 1-1/2 INCH MINIMUM DEPTH OF UNIT

E = EXTENDED  
 F = FLUSH

LED COLOR:  
 "R" = RED  
 "G" = GREEN  
 "B" = BLUE  
 "W" = WHITE