



C.E. Electronics, Inc.
 2107 Industrial Drive
 Bryan, OH 43506
 PH (419) 636-6705 FX (419) 636-2516
 www.cееlectronics.com

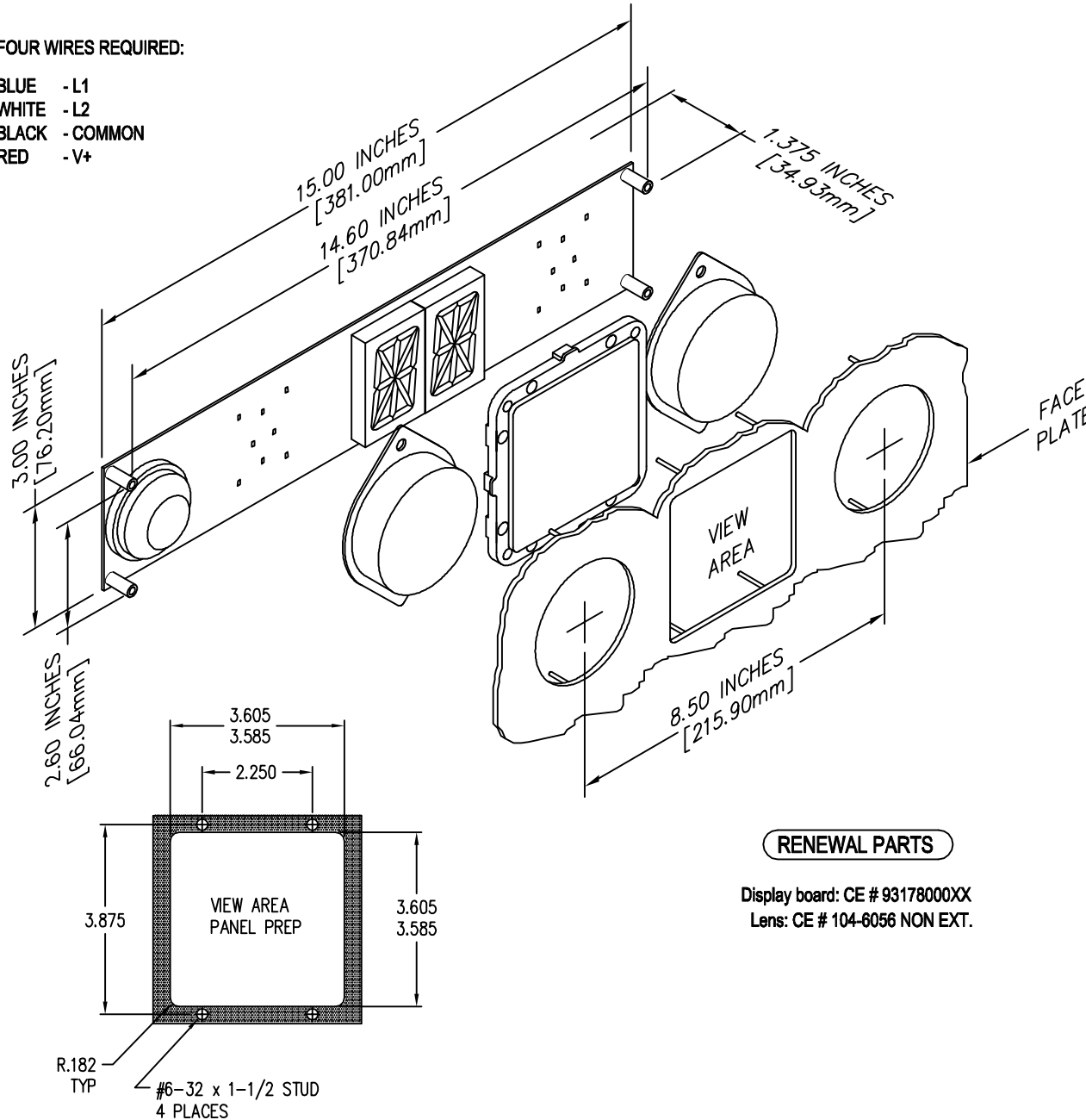
OHCTS-XXX

Ver. 8 Rel. 4/15/2021

OTIS

FOUR WIRES REQUIRED:

- BLUE - L1
- WHITE - L2
- BLACK - COMMON
- RED - V+



OHCTS-XXX

Long life, LED's for lanterns, 100,000 hour rated life. Accepts existing signals over the Otis RSL link. The unit has a double digit 2 inch display. It includes LED backlighting for hockey puck style lanterns. The unit is also equipped with an arrival gong. The programming is dip switch selectable.

Typical Applications

- Hall lanterns
- P.I. combo

Features

- 2 Inch characters
- 1 year factory warranty
- Conforms to ADAAG 4.10.4
- Includes gong
- RSL input
- ECA capable

TO ORDER - SPECIFY OHCTS-XXX

UP LED COLOR:

- "R" = RED
- "G" = GREEN
- "B" = BLUE
- "W" = WHITE

DOWN LED COLOR:

- "R" = RED
- "G" = GREEN
- "B" = BLUE
- "W" = WHITE

DIGIT PI COLOR:

- "R" = RED
- "G" = GREEN
- "B" = BLUE
- "W" = WHITE

RENEWAL PARTS

Display board: CE # 93178000XX
 Lens: CE # 104-6056 NON EXT.