



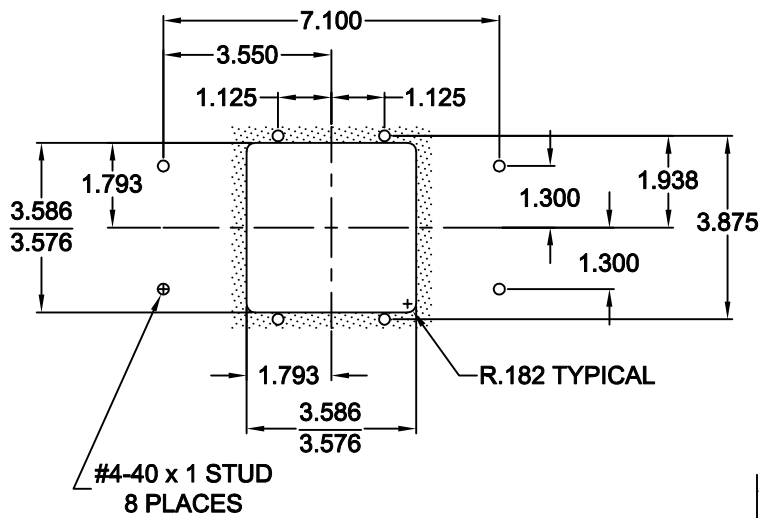
C.E. Electronics, Inc.
 2107 Industrial Drive
 Bryan, OH 43506
 PH (419) 636-6705 FX (419) 636-2516
 www.ccelectronics.com

OH911-XX

Ver. 5 Rel. 7/15/2013

OTIS

PANEL PREPARATION



FOUR WIRES REQUIRED:

- BLUE - L1
- WHITE - L2
- BLACK - COMMON
- RED - V+

OH911-X

3.0 INCH LED EXTENDED ARROW

Long life, solid state bi-color, white or blue arrow for lanterns, 100,000 hour rated life. Accepts existing signals over the Otis RSL link. It includes a bi-color arrow which is green in the up direction and red in the down with matching side bars for 180° viewing. The unit is also equipped with an arrival gong. The programming is dip switch selectable.

Typical Applications

- Hall and car lanterns
- P.I. combo w/180° Viewing angle

Features

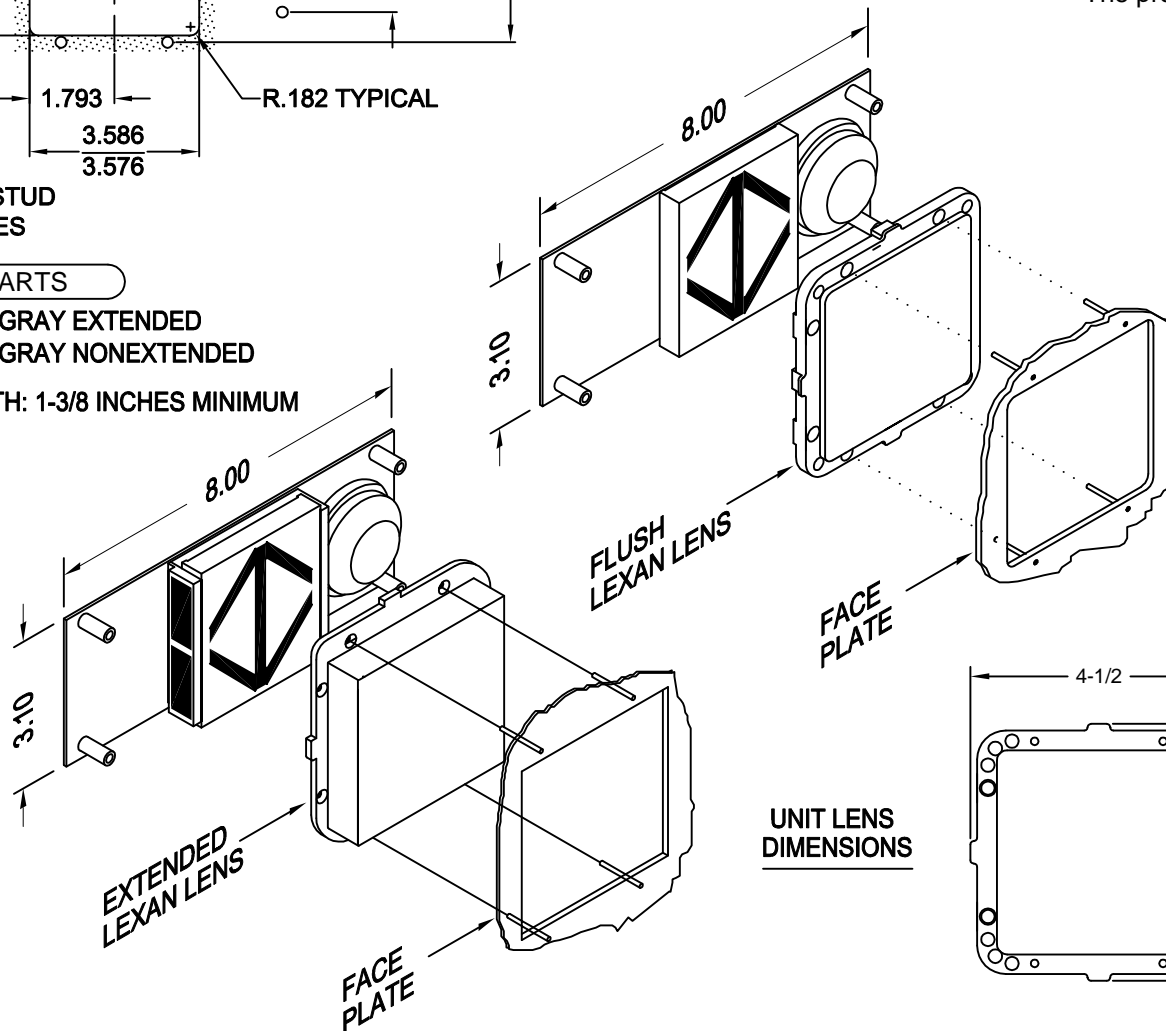
- Bi-color, solid white or solid blue 3 inch arrow
- 2 inch characters
- Solid side bar/arrow
- 180° viewing angle lantern
- 1 year factory warranty
- Conforms to ADAAG 4.10.4
- Includes gong
- RSL input
- ECA capable

RENEWAL PARTS

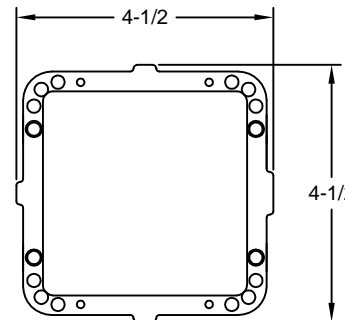
Lens: 104-6025A GRAY EXTENDED

Lens: 104-6056A GRAY NONEXTENDED

NOTE UNIT DEPTH: 1-3/8 INCHES MINIMUM



UNIT LENS DIMENSIONS



TO ORDER - SPECIFY OH911-XX

E = EXTENDED
 F = FLUSH

COLOR:

<BLANK> = BI-COLOR
 "B" = BLUE
 "W" = WHITE