

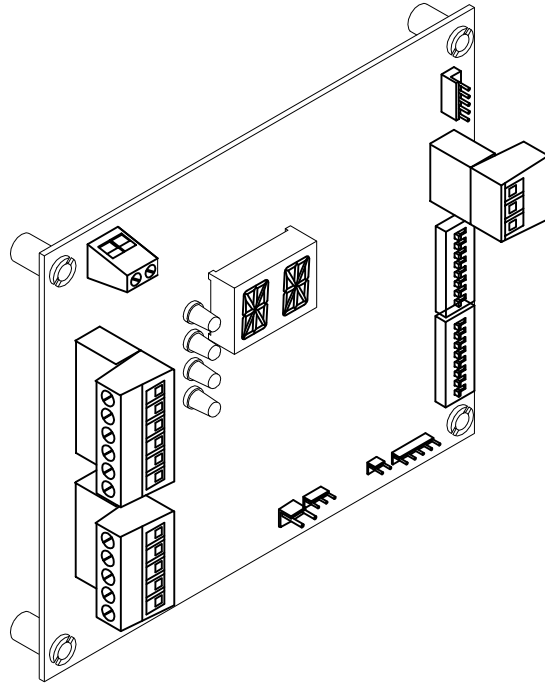


C.E. Electronics, Inc.
 2107 Industrial Drive
 Bryan, OH 43506
 PH (419) 636-6705 FX (419) 636-2516
 www.cseelectronics.com

OEMS

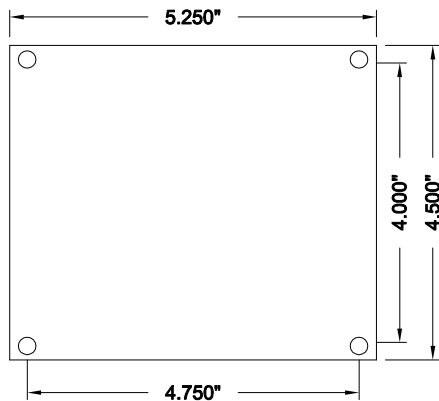
Ver. 2 Rel. 8/22/2019

OTIS®
 411 SERIES

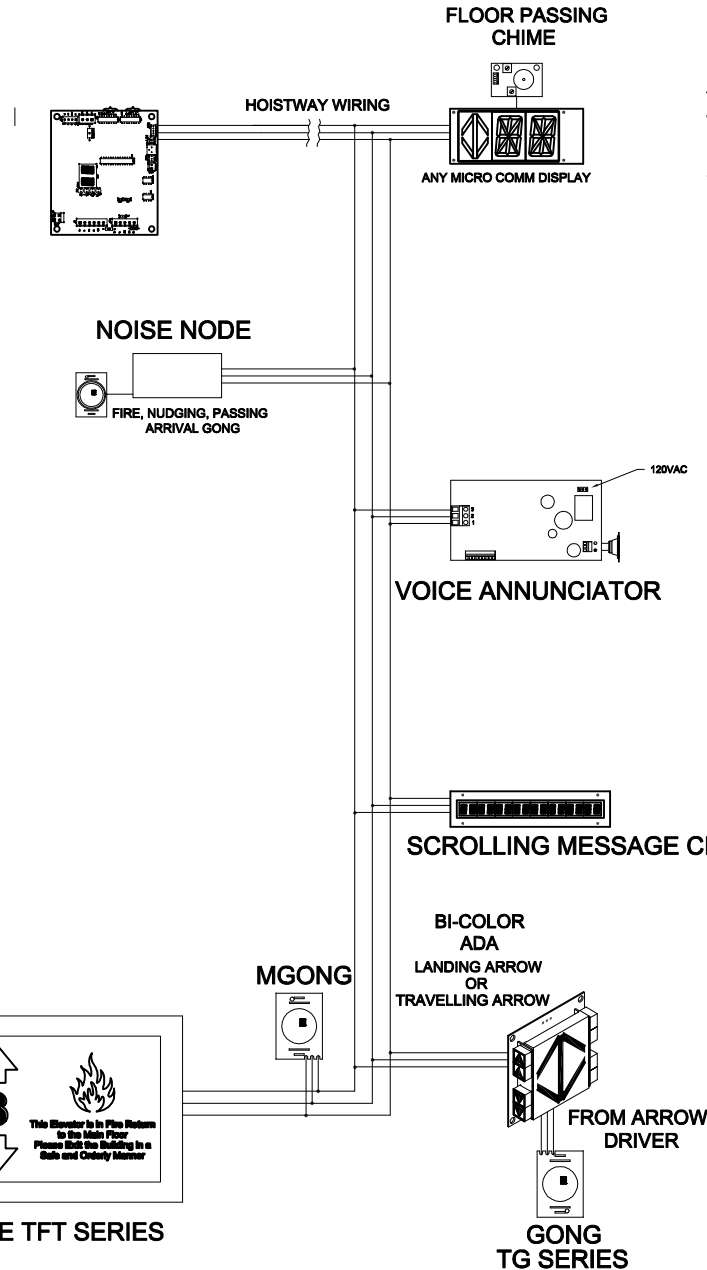


NOTE:

USE WITH OTIS 411 STYLE CONTROLLER INTERFACES TO THE CAR DATE LINK UNIT WIRES LIKE A RS5 CARD. AND TAKES SIGNALS FROM THE EMS LINK



MINIMUM DEPTH
 REQUIRED: 1.375"



OEMS OTIS INTERFACE CARD

A highly reliable, solid state interface card for Otis controllers. This card allows you to interface almost any Micro Comm display, voice module, and scrolling message module, directly to Otis 411 style controllers. This link also interfaces to the EMS communication link.

Features:

- 1 year factory warranty
- Conforms to ADAAG 4.10.4
- Includes gong
- Utilizes Micro Comm Displays
- Works Directly from Otis Controllers

TO ORDER - SPECIFY OEMS-X