

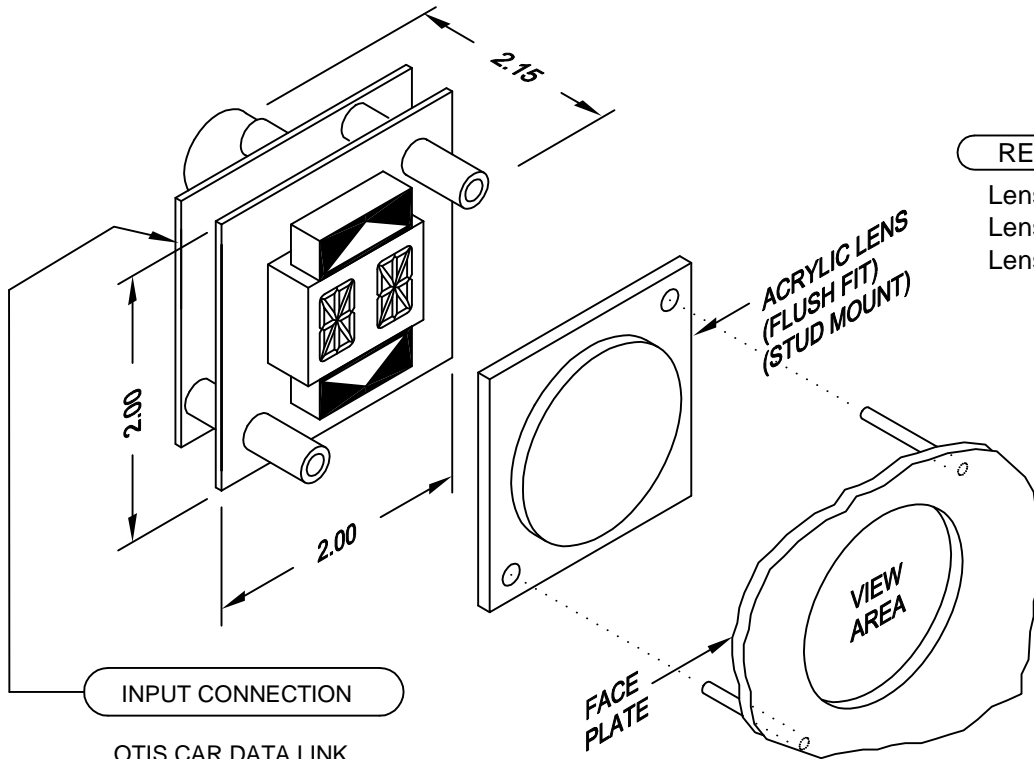


C.E. Electronics, Inc.
 2107 Industrial Drive
 Bryan, OH 43506
 PH (419) 636-6705 FX (419) 636-2516
 www.ccelectronics.com

OE205-XX

Ver. 5 Rel. 10/25/2016

OTIS



INPUT CONNECTION

OTIS CAR DATA LINK
 L1, L2, P, G

RENEWAL PARTS

- Lens: 104-0511 RED
- Lens: 104-6016 GRAY
- Lens: 104-9016 BLUE

OTIS 411 SERIES CONTROLLERS

REMOTE DISPLAY INDICATOR "RDI"

Segmented LED, digital indicator for floor position display, as well as car direction. Any alphanumeric character can be displayed in either single or double digit floor designations.

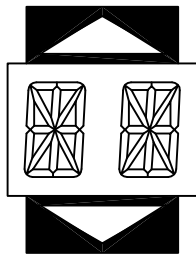
Typical Applications:

- Replacement for IEE rear projection bulb indicators for lobby and security panels. For limited space applications, such as hall station retrofits.

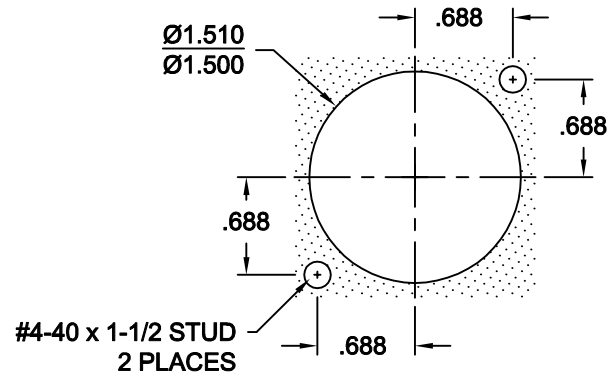
Features:

- Fast, 4-wire hookup
- Passing chime available on this unit
- For Otis Elevonic 411 type controller
- No RS5 card needed

PANEL PREPARATION



1/2 INCH CHARACTERS



TO ORDER - SPECIFY OE205 - X X

COLOR:

- "R" = RED SEGMENTS / RED ARROWS
- "G" = GREEN SEGMENTS / RED ARROWS
- "B" = BLUE SEGMENTS / BLUE ARROWS

LENS:

- "R" = RED
- "G" = GRAY
- "B" = BLUE
- "X" = NO LENS