



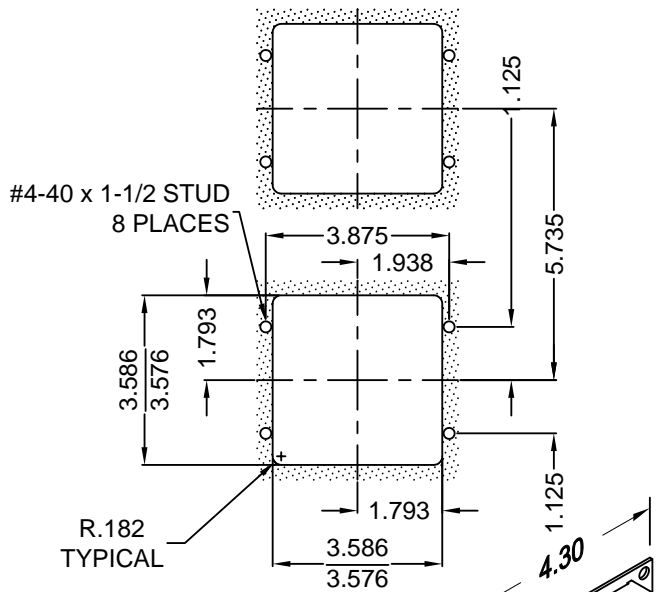
C.E. Electronics, Inc.
 2107 Industrial Drive
 Bryan, OH 43506
 PH (419) 636-6705 FX (419) 636-2516
 www.ceelectronics.com

MVETC-XX

Ver. 3 Rel. 2/20/2014

MICRO COMM[®]
 DISPLAYS

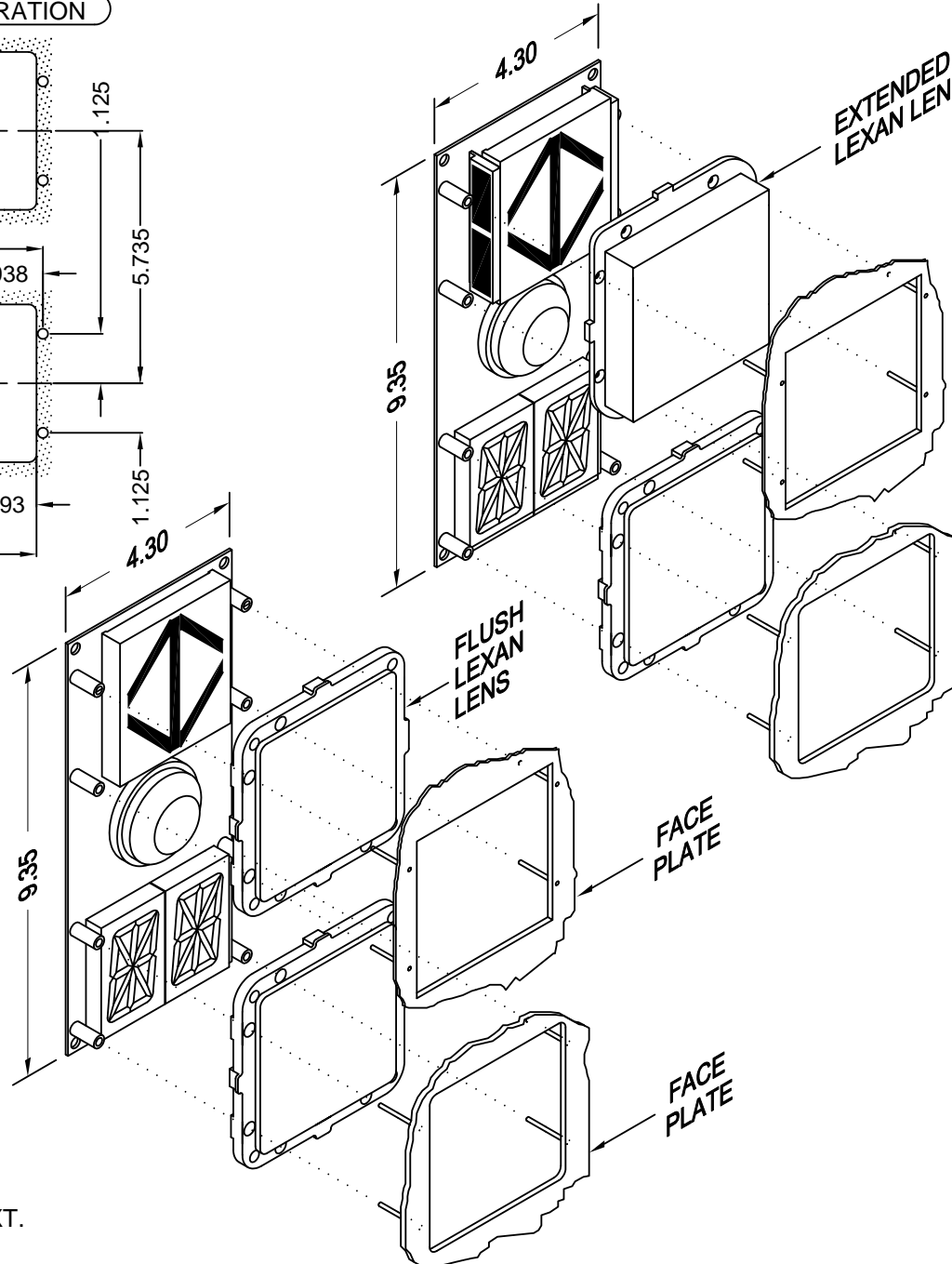
PANEL PREPARATION



NOTE:
 1-1/2 INCH MINIMUM
 DEPTH OF UNIT

RENEWAL PARTS

Lens: 104-6025A EXT.
 Lens: 104-6056A NON EXT.



MVETC-XX

3.0 INCH LED EXTENDED ARROW

Long life, solid state bi-color, solid white or solid blue arrow for lanterns, 100,000 hour rated life. Accepts existing signals over the Micro Comm link. The unit has a double digit 2 inch display with a 3 inch arrow. The unit is also equipped with an arrival gong. The programming is dip switch selectable.

Typical Applications

- Hall lanterns
- P.I. combo on extended version

Features

- Bi-color - red/green, solid white or solid blue 3 inch arrow
- 2 inch characters
- Solid side bar/arrow
- 1 year factory warranty
- Conforms to ADAAG 4.10.4
- Includes gong

TO ORDER - SPECIFY MVETC-XX

E = EXTENDED
 F = FLUSH

LED COLOR:

"R" = RED digits, bicolor arrow
 "G" = GREEN digits, bicolor arrow
 "B" = BLUE digits, blue lantern
 "W" = WHITE digits, white lantern