

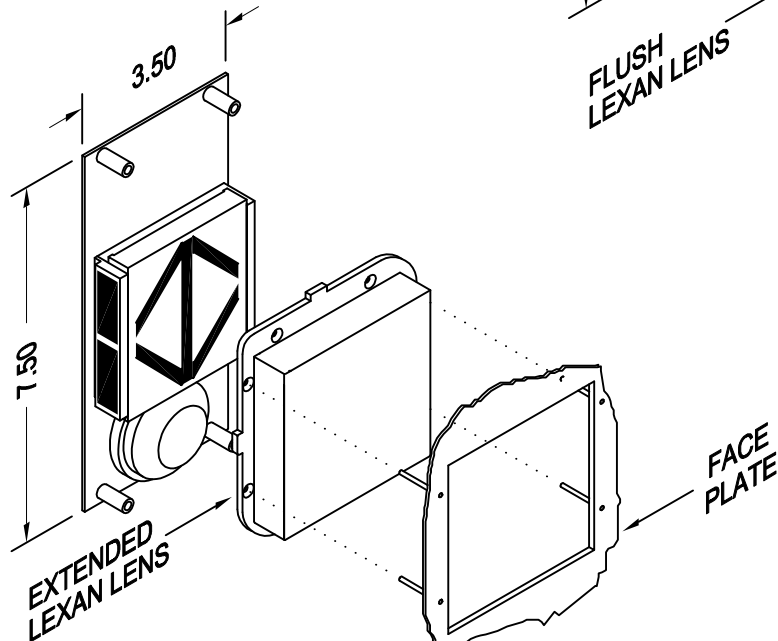
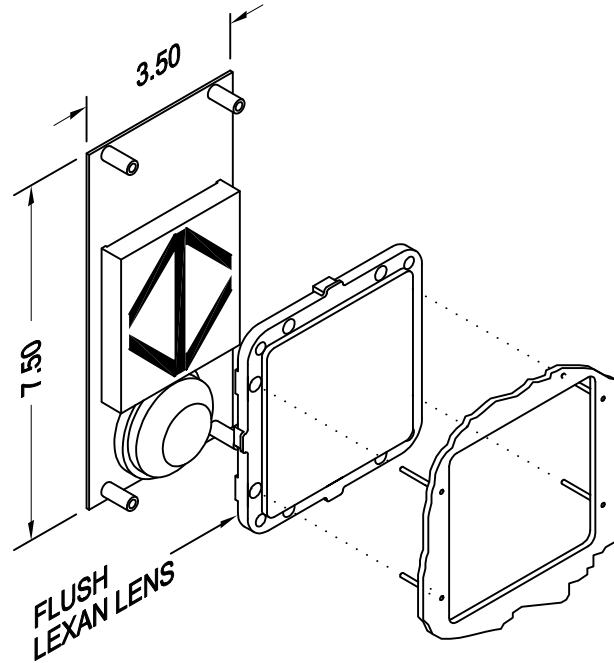
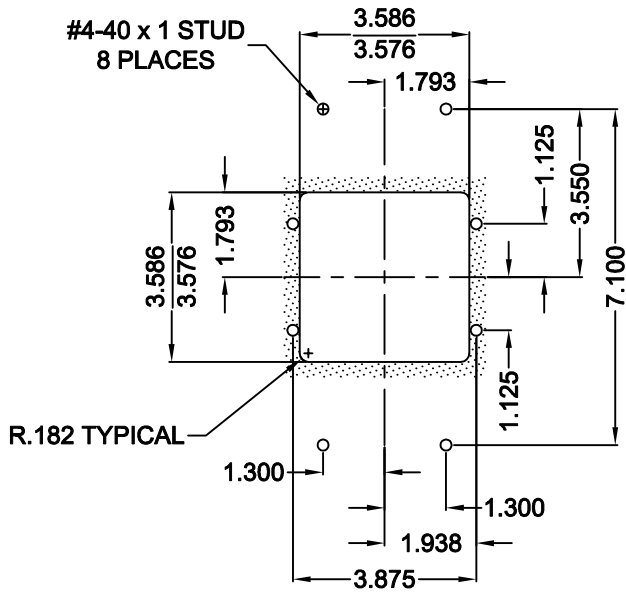


# MV911-XXX

Ver. 5 Rel. 10/29/2015

MICRO COMM<sup>®</sup>  
 DISPLAYS

## PANEL PREPARATION



## MV911-XXX

### 3.0 INCH LED EXTENDED ARROW

Long life, solid state bi-color, white or blue arrow for lanterns. Accepts MicroComm 3 wire. The bi-color arrow is green for up and red for down or blue up and down or white up and down.

#### Typical applications:

- Hall or car lanterns.
- P.I. combo w/180° Viewing angle

#### Features:

- Ultra-thin packaging
- Red down/green up solid blue or solid white
- Fast MicroComm 3-wire hookup
- Conforms to ADAAG 4.10.4
- Jamb mountable (Vertical style only)

#### TO ORDER - SPECIFY MV911-XXX

E = EXTENDED  
 F = FLUSH

LENS:  
 G = GRAY  
 X = NONE

COLOR:  
 <BLANK> = BI-COLOR  
 "B" = BLUE  
 "W" = WHITE

#### RENEWAL PARTS

Lens: 104-6025A EXT.  
 Lens: 104-6056A NON EXT.

NOTE:  
 1-3/8 INCH MINIMUM DEPTH OF UNIT