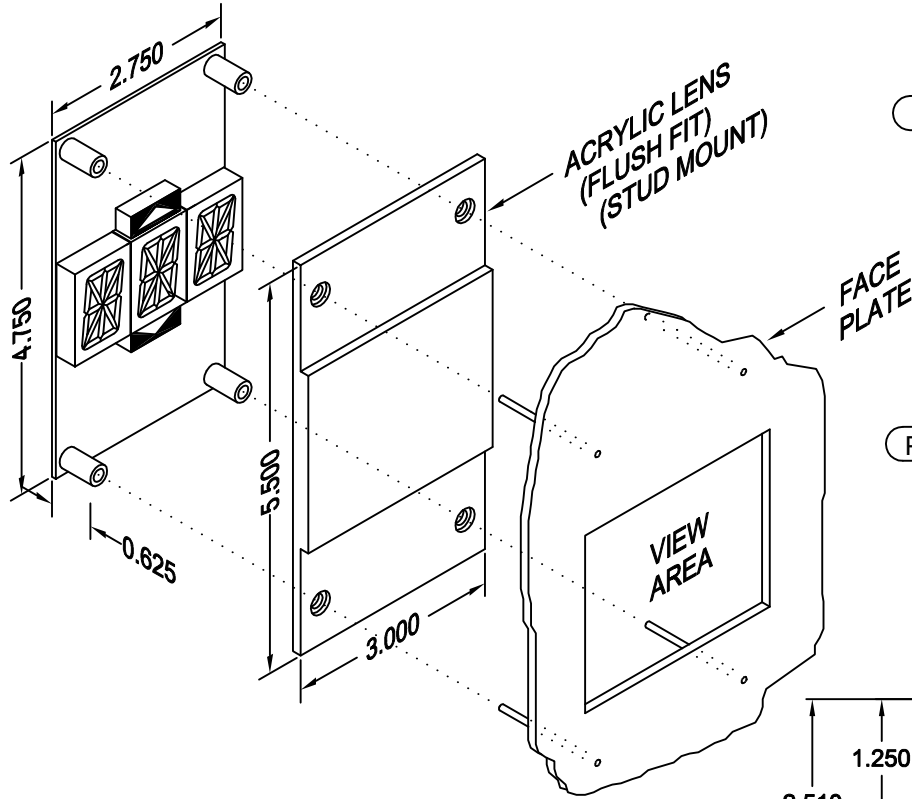




MV410-XXX

Ver. 3 Rel. 11/03/2016

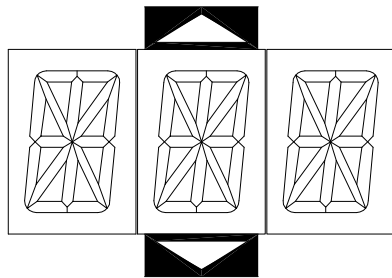
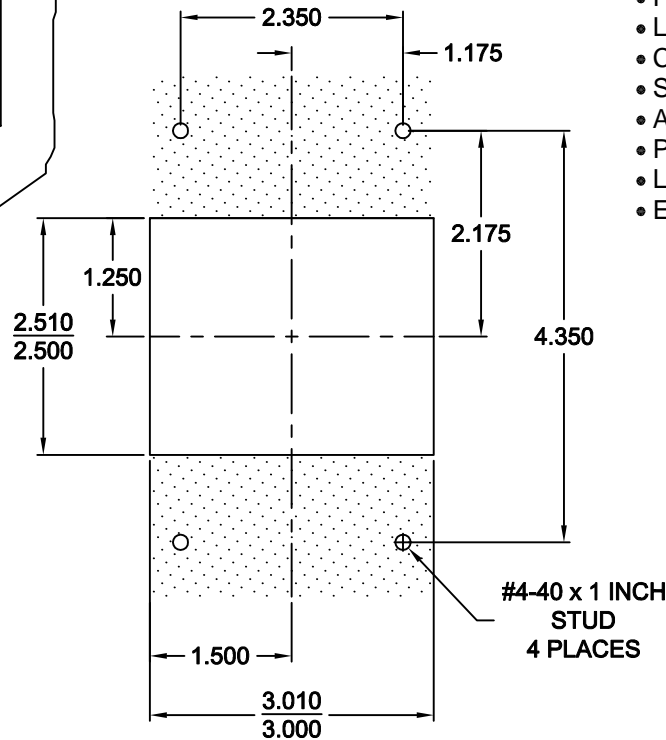
MICRO COMM[®]
 DISPLAYS



RENEWAL PARTS

- Lens: 104-5671 RED
- Lens: 104-6671 GRAY
- Lens: 104-9671 BLUE

PANEL PREPARATION



1 INCH CHARACTER

NOTE:

1. This is not a stand alone unit. Must be used in conjunction with a Micro Comm interface.
2. Red display with Red Lens ONLY

REMOTE DISPLAY INDICATOR "RDI"

Segmented LED, digital indicator for floor position display, as well as car direction. Any alphanumeric character can be displayed in either single or multiple digit floor designations.

Typical Applications

- Car-OP Panel
- Transom-car or Hall

Features

- Fast, 3-wire hookup
- Latched inputs
- Cross wire protected
- Self testing
- Alternate message
- Passing chime output
- Low profile
- Error detection and correction feature

TO ORDER - SPECIFY MV410 - X X X

COLOR:

- "RR" = RED / RED ARROWS
- "AR" = AMBER / RED ARROWS
- "GR" = GREEN / RED ARROWS
- "BR" = BLUE / RED ARROWS
- "WR" = WHITE / RED ARROWS
- "GG" = GREEN / GREEN ARROWS
- "BB" = BLUE / BLUE ARROWS
- "WW" = WHITE / WHITE ARROWS

LENS:

- "R" = RED
- "G" = GRAY
- "B" = BLUE
- "X" = NO LENS