

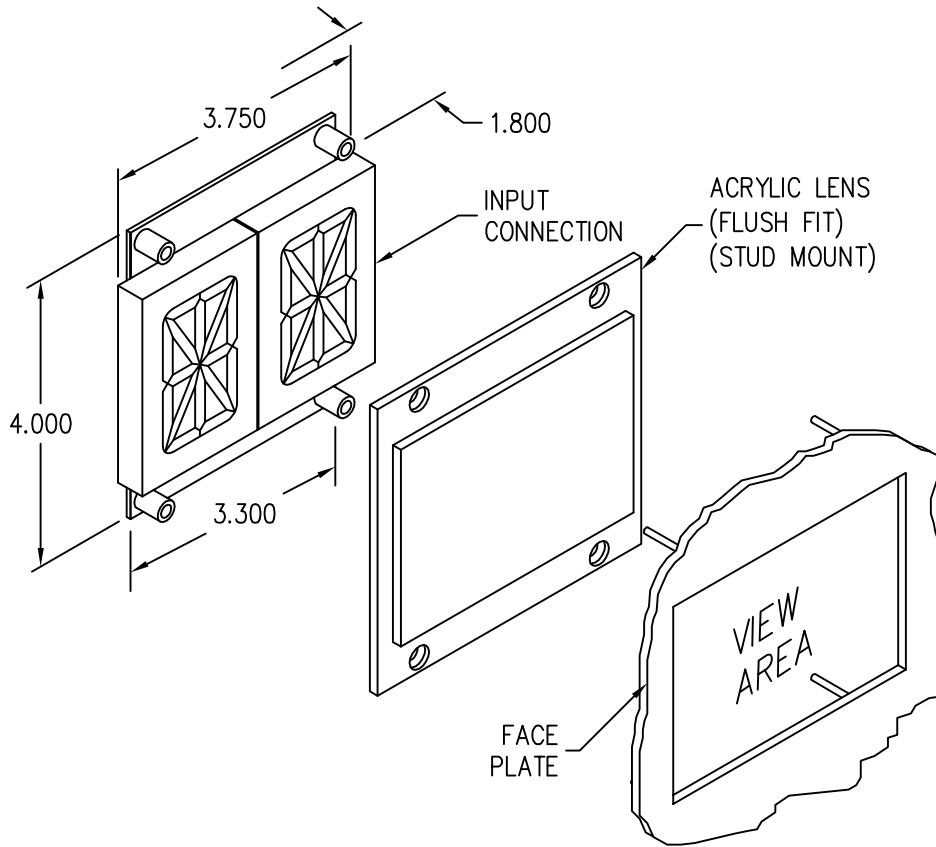


C.E. Electronics, Inc.  
 2107 Industrial Drive  
 Bryan, OH 43506  
 PH (419) 636-6705 FX (419) 636-2516  
 www.ceelectronics.com

# MV222-XX

Ver. 1 Rel. 8/29/2018

**MICRO COMM<sup>®</sup>**  
**DISPLAYS**



## REMOTE DISPLAY INDICATOR "RDI"

Segmented LED, digital indicator for floor position display. Any alphanumeric character can be displayed in either single or double digit floor designations.

### Typical Applications:

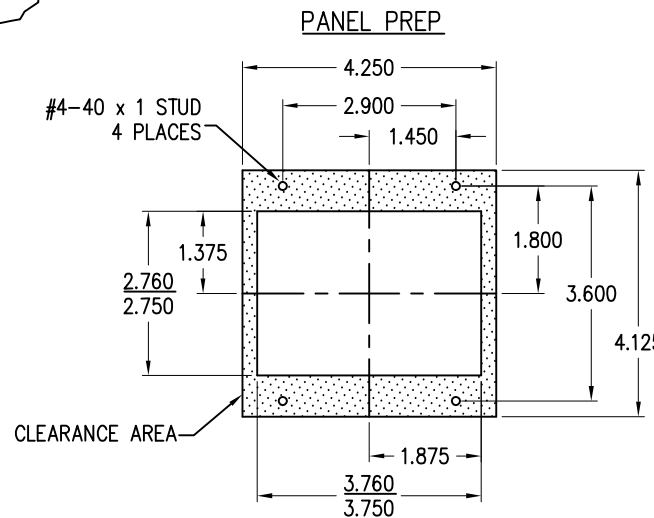
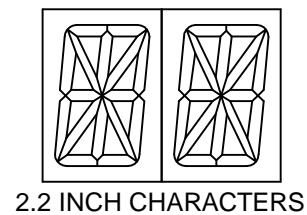
- Hall stations
- Lobby and security panels

### Features:

- Fast, 3-wire hookup
- Latched inputs
- Cross wire protected
- Self testing
- Alternate message
- Passing chime output
- Error detection and correction feature

### RENEWAL PARTS

- Lens: 104-5592 RED
- Lens: 104-6092 GRAY
- Lens: 104-9092 BLUE



TO ORDER: - SPECIFY MV222 - X X

STYLE:

"2" = 2.2 INCH CHARACTERS

COLOR:

"R" = RED

"G" = GREEN

"B" = BLUE

"W" = WHITE

LENS:

"R" = RED

"G" = GRAY

"B" = BLUE

"X" = NO LENS

NOTE:

1. This is not a stand alone unit. Must be used in conjunction with a Micro Comm interface.