

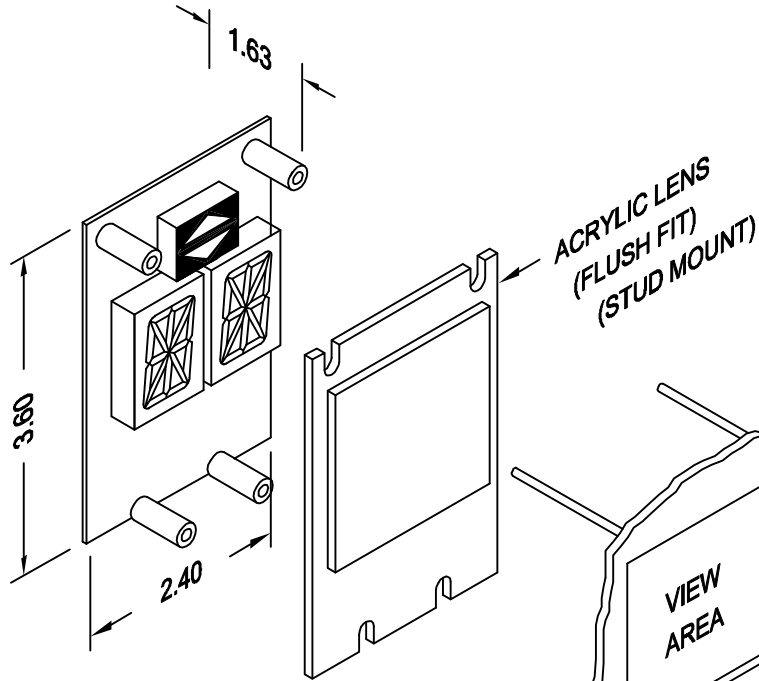


C.E. Electronics, Inc.
 2107 Industrial Drive
 Bryan, OH 43506
 PH (419) 636-6705 FX (419) 636-2516
 www.ceelectronics.com

MV210-XXX

Ver. 8 Rel. 6/18/2019

MICRO COMM[®]
 DISPLAYS



RENEWAL PARTS

- Lens: 104-0503 RED
- Lens: 104-6014 GRAY
- Lens: 104-9014 BLUE

REMOTE DISPLAY INDICATOR "RDI"

Segmented LED, digital indicator for floor position display, as well as car direction. Any alphanumeric character can be displayed in either single or double digit floor designations.

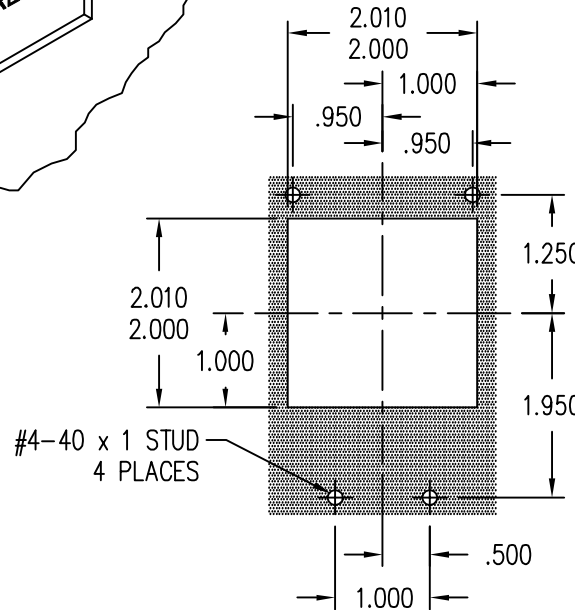
Typical Applications

- Hall stations
- Lobby and security panels

Features

- Fast, 3-wire hookup
- Latched inputs
- Cross wire protected
- Self testing
- Alternate message
- Passing chime output
- Error detection and correction feature

PANEL PREPARATION



TO ORDER - SPECIFY MV210 - X X X

COLOR:

- "RR" = RED CHARACTER, RED ARROW
- "AR" = AMBER CHARACTER, RED ARROW
- "GR" = GREEN CHARACTER, RED ARROW
- "BR" = BLUE CHARACTER, RED ARROW
- "WR" = WHITE CHARACTER, RED ARROW
- "GG" = GREEN CHARACTER, GREEN ARROW
- "BB" = BLUE CHARACTER, BLUE ARROW
- "WW" = WHITE CHARACTER, WHITE ARROW

LENS:

- "R" = RED
- "G" = GRAY
- "B" = BLUE
- "X" = NO LENS

NOTE:

1 INCH CHARACTER

1. This is not a stand alone unit. Must be used in conjunction with a Micro Comm interface.
2. Can not have Red Lens with a non-red display.

