



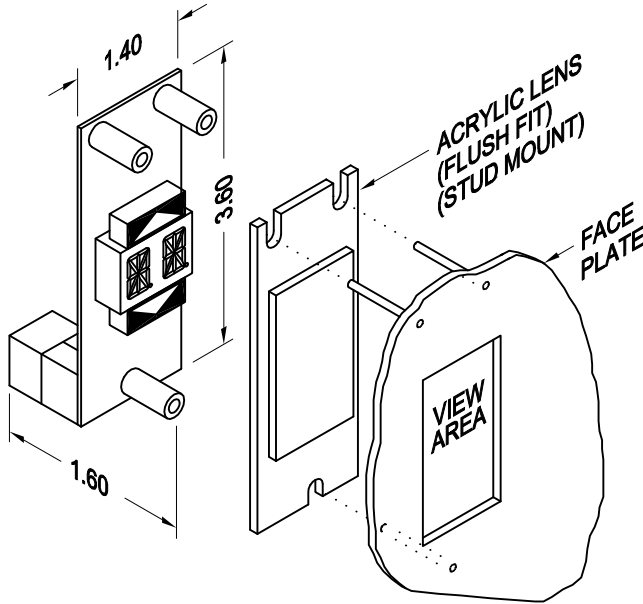
C.E. Electronics, Inc.
 2107 Industrial Drive
 Bryan, OH 43506
 PH (419) 636-6705 FX (419) 636-2516
 www.ccelectronics.com

MV105-XXX

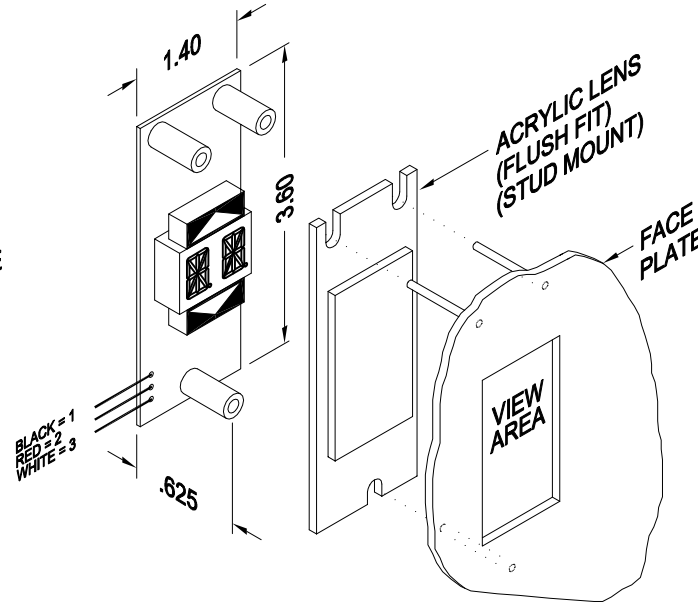
Ver. 7 Rel. 10/20/2016

MICRO COMM[®]
 DISPLAYS

FOR FLUSH MOUNT APPLICATIONS



FOR SURFACE MOUNT APPLICATIONS



REMOTE DISPLAY INDICATOR "RDI"

Segmented LED, digital indicator for floor position display, as well as car direction. Any alphanumeric character can be displayed in either single or double digit designations.

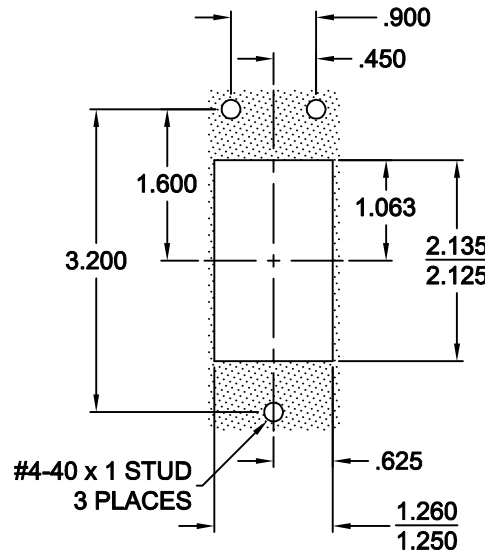
Typical Applications

- Hall stations
- Lobby and security panels

Features

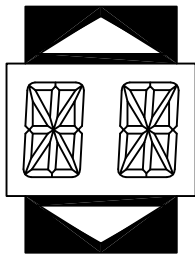
- Fast, 3-wire hookup
- Latched inputs
- Cross wire protected
- Self testing
- Alternate message
- Passing chime not available on this unit
- Error detection and correction feature

PANEL PREPARATION



RENEWAL PARTS

- Lens: 104-5605 RED
- Lens: 104-6005 GRAY
- Lens: 104-9005 BLUE



1/2 INCH CHARACTER

NOTE:

1. This is not a stand alone unit. Must be used in conjunction with a Micro Comm interface.

TO ORDER - SPECIFY MV105 - X X X

COLOR:

- "R" = RED SEGMENTS / RED ARROWS
- "G" = GREEN SEGMENTS / RED ARROWS
- "B" = BLUE SEGMENTS / BLUE ARROWS

CONNECTION TYPE:

- "W" = WIRES - SURFACE MOUNT
- "C" = CONNECTOR - FLUSH MOUNT

LENS:

- "R" = RED
- "G" = GRAY
- "B" = BLUE
- "X" = NO LENS