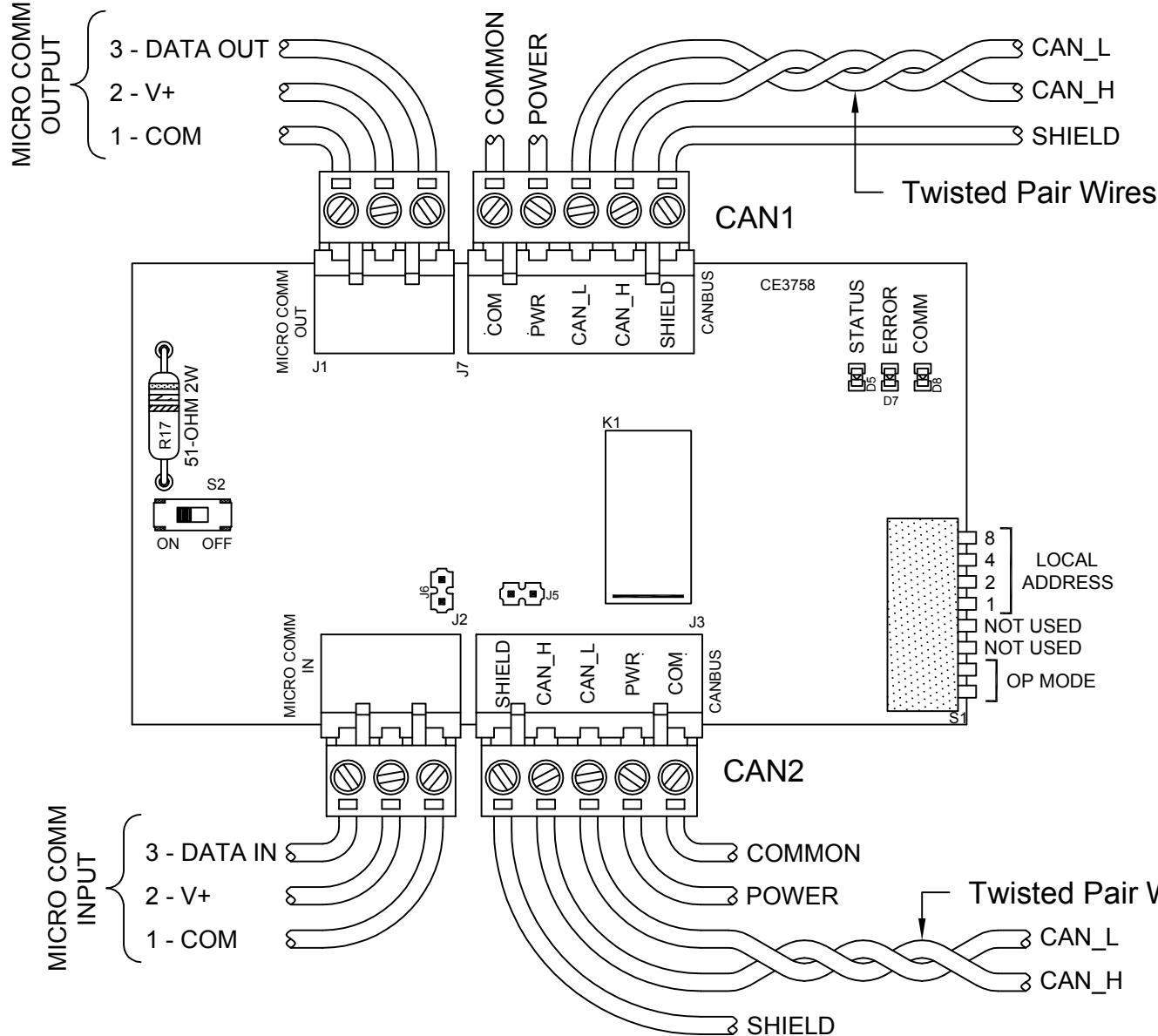


MTIME2-X

(Time Programming Board)

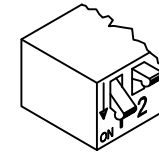
JOB# _____



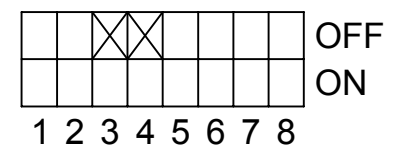
STATUS LED - GREEN
BLINKS TO SHOW THAT THE
PROCESSOR IS OPERATING

ERROR LED - RED
LIGHTS IF NO CAN DATA
RECEIVED IN 30 SECONDS

COMM LED - BLUE
FLASHES TO SHOW CAN
DATA SENT OR RECEIVED



DEFAULT SETTINGS

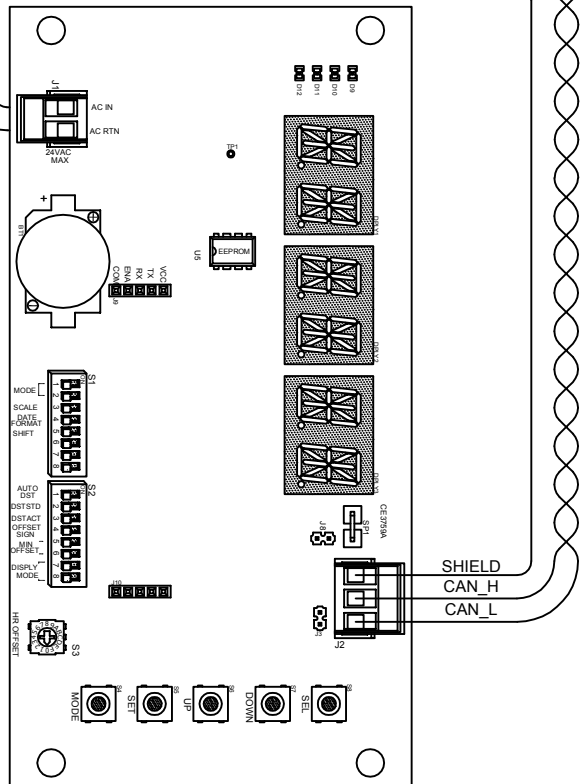
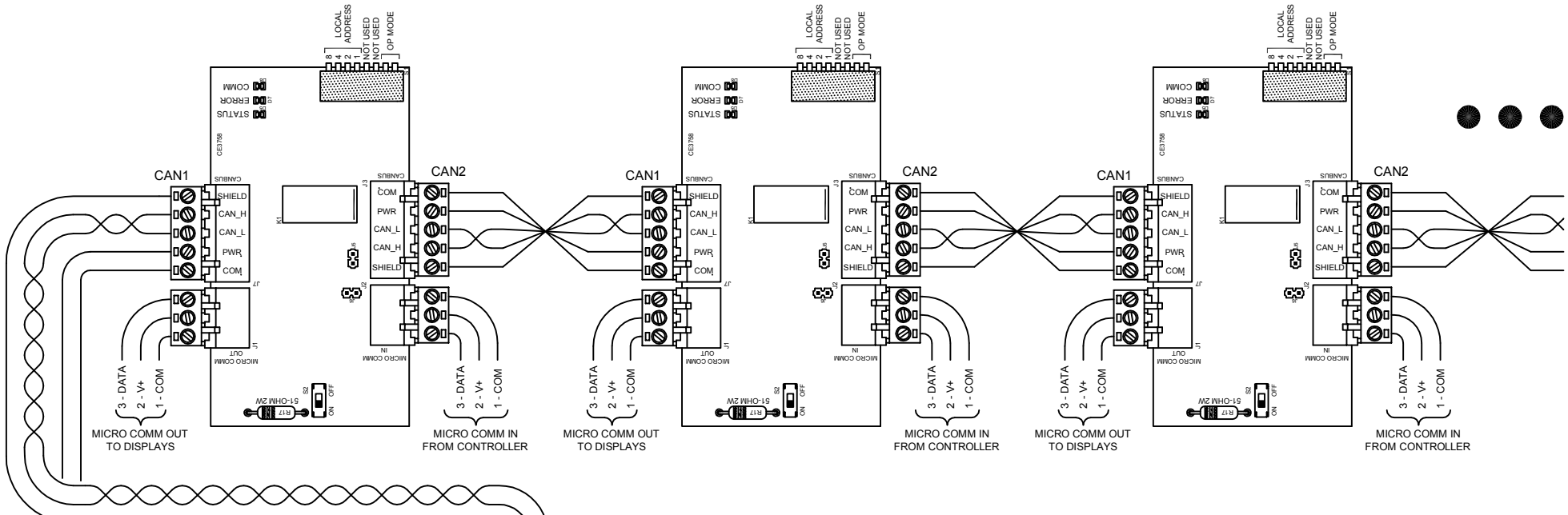


OP MODE	DS1	DS2
NORMAL	OFF	OFF
TEST	ON	OFF
REPEAT	OFF	ON

CODE VERSION _____

BOARD VERSION CE3758 _____

DATE DRAWN: 06/10/15	DRAWN BY: DAC	REQUESTED BY: KS	C.E. ELECTRONICS, INC. 2107 Industrial Drive Bryan, Ohio 43306 (419) 636-6705
BOARD NUMBER: 3758	LAST DATE REVISED: 07/24/15	APPROVED BY:	
PRODUCT TIME PROGRAMMING BOARD			
			REV: A



DATE DRAWN: 06/16/15	DRAWN BY: DAC	REQUESTED BY: KS	C.E. ELECTRONICS, INC. 2107 Industrial Drive Bryan, OH 43306 (419) 636-6705
BOARD NUMBER: 3758, 3759	LAST DATE REVISED: 07/24/15	APPROVED BY:	
PRODUCT MTIME2 CONNECTION EXAMPLE			
DWG. NO. MTIME2_04		REV. A	