

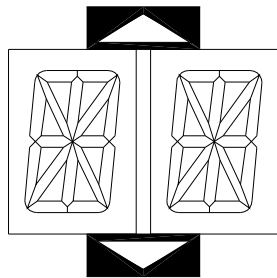
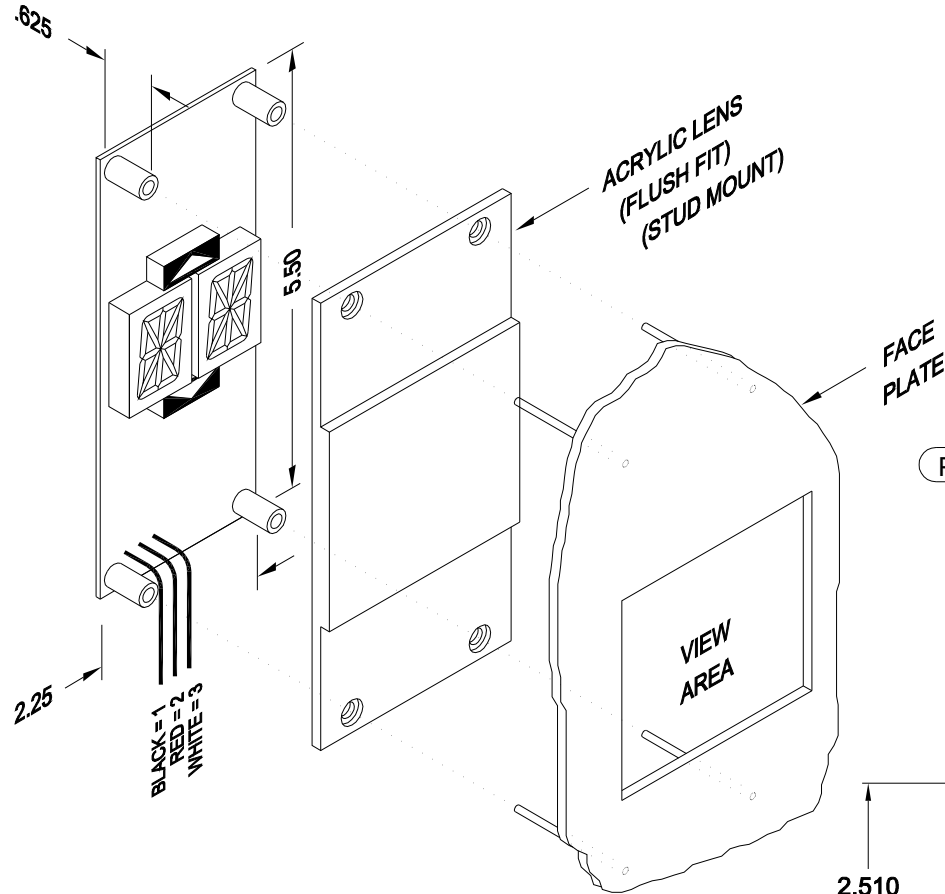


C.E. Electronics, Inc.  
 2107 Industrial Drive  
 Bryan, OH 43506  
 PH (419) 636-6705 FX (419) 636-2516  
 www.ccelectronics.com

# MSV21-XXX

Ver. 8 Rel. 10/19/2016

MICRO COMM<sup>®</sup>  
 DISPLAYS



1 INCH CHARACTER

## REMOTE DISPLAY INDICATOR "RDI"

Segmented LED, digital indicator for floor position display, as well as car direction. Any alphanumeric character can be displayed in either single or double digit floor designations.

### RENEWAL PARTS

- Lens: 104-0505 RED
- Lens: 104-6043 GRAY
- Lens: 104-9043 BLUE

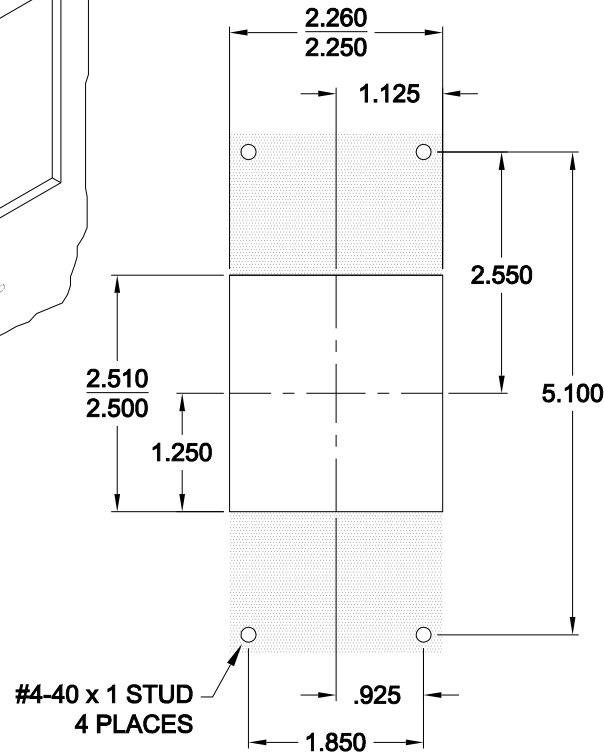
### Typical Applications:

- Car-OP Panel
- Transom-car or Hall
- Surface mount fixtures

### Features:

- Fast, 3-wire hookup
- Latched inputs
- Cross wire protected
- Self testing
- Alternate message
- Passing chime option by request only
- Error detection and correction feature

### PANEL PREPARATION



#4-40 x 1 STUD  
 4 PLACES

### TO ORDER - SPECIFY MSV21 - X X X

#### COLOR:

- "RR" = RED / RED ARROWS
- "AR" = AMBER / RED ARROWS
- "GR" = GREEN / RED ARROWS
- "BR" = BLUE / RED ARROWS
- "WR" = WHITE / RED ARROWS
- "GG" = GREEN / GREEN ARROWS
- "BB" = BLUE / BLUE ARROWS
- "WW" = WHITE / WHITE ARROWS

#### LENS:

- "R" = RED
- "G" = GRAY
- "B" = BLUE
- "X" = NO LENS

#### NOTE:

1. This is not a stand alone unit. Must be used in conjunction with a Micro Comm interface.
2. Can't have Red Lens with a non-red display