

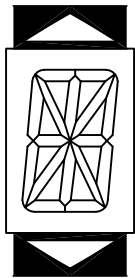
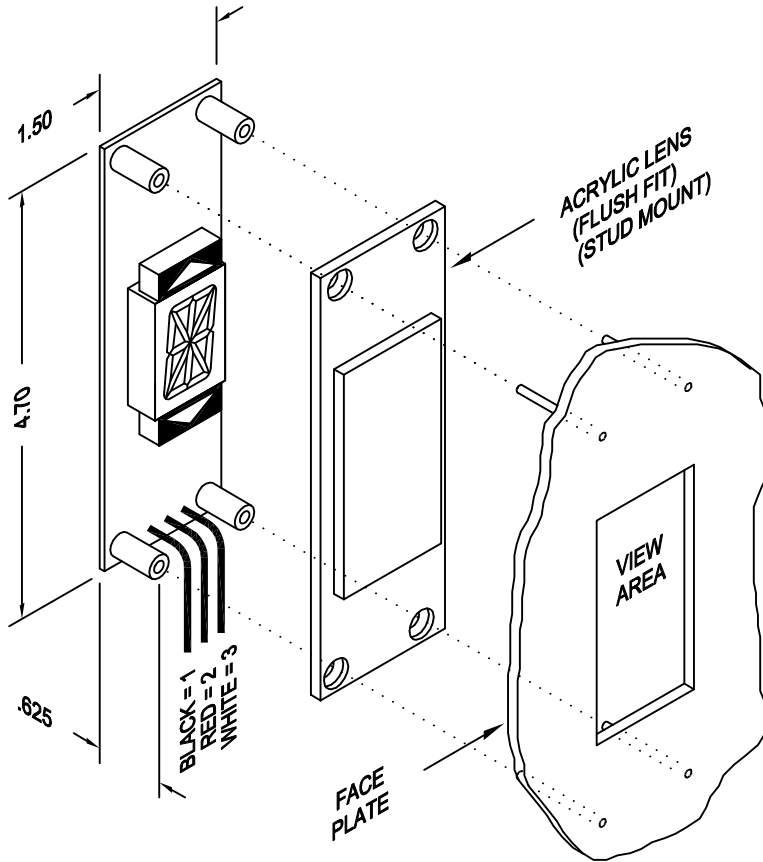


C.E. Electronics, Inc.
 2107 Industrial Drive
 Bryan, OH 43506
 PH (419) 636-6705 FX (419) 636-2516
 www.ccelectronics.com

MSV11-XXX

Ver. 6 Rel. 10/24/2016

MICRO COMM[®]
 DISPLAYS



1 INCH CHARACTER

NOTE:

1. This is not a stand alone unit. Must be used in conjunction with a Micro Comm interface.
2. Can not have Red Lens with a non-red display.

REMOTE DISPLAY INDICATOR "RDI"

Segmented LED, digital indicator for floor position display, as well as car direction. Any alphanumeric character can be displayed in single digit floor designations.

Typical Applications:

- Car-OP Panel
- Transom-car or Hall
- Surface mount fixtures

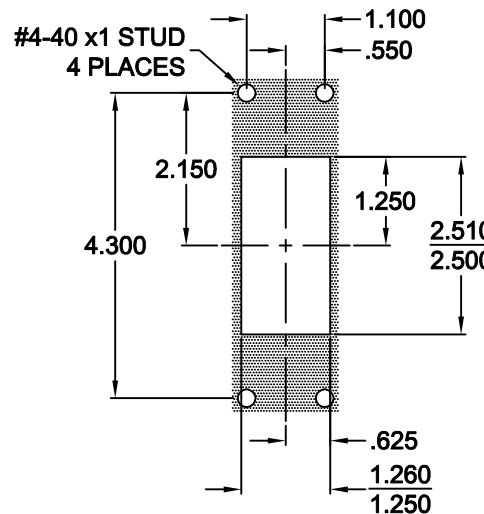
Features:

- Fast, 3-wire hookup
- Latched inputs
- Cross wire protected
- Self testing
- Alternate message
- Passing chime option by request only
- Error detection and correction feature

RENEWAL PARTS

- Lens: 104-5548 RED
- Lens: 104-6048 GRAY
- Lens: 104-9048 BLUE

PANEL PREPARATION



TO ORDER - SPECIFY MSV11 - X X X

COLOR:

- "RR" = RED CHARACTER, RED ARROW
- "AR" = AMBER CHARACTER, RED ARROW
- "GR" = GREEN CHARACTER, RED ARROW
- "BR" = BLUE CHARACTER, RED ARROW
- "WR" = WHITE CHARACTER, RED ARROW
- "GG" = GREEN CHARACTER, GREEN ARROW
- "BB" = BLUE CHARACTER, BLUE ARROW
- "WW" = WHITE CHARACTER, WHITE ARROW

LENS:

- "R" = RED
- "G" = GRAY
- "B" = BLUE
- "X" = NO LENS