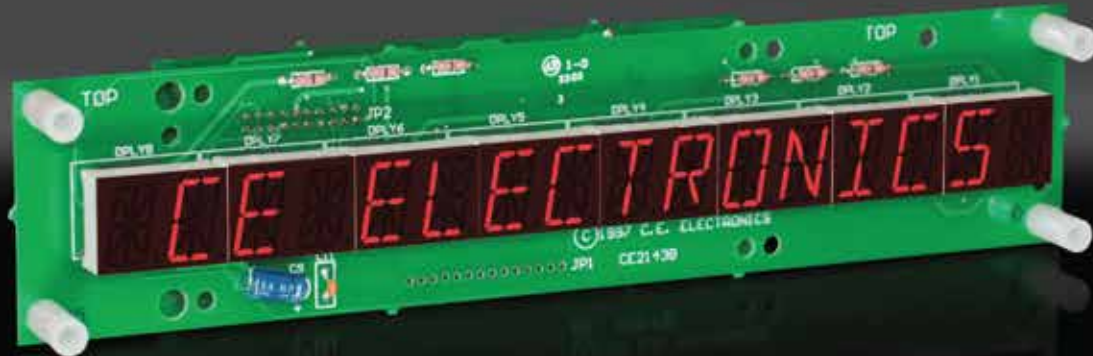


MSL05-XXXX SCROLLING MESSAGE DISPLAY



ACCESSORIES SCROLLING MESSAGE DISPLAY

Versatile scrolling message displays any alphanumeric characters within a .5 inch LED 16 digit screen. Various messages can be selected via binary inputs or through C.E.'s Micro Comm 3 wire network. When used with MTIME-X the time, date and temperature can be displayed as part of a message or it can be shown in a static format. The display is capable of 63 different messages (119 characters per message max). The display is capable of continuous scrolling or can be programmed to scroll in and stop then flash.

FEATURES:

- > 63 messages
- > Scrolling in/Scroll out
- > Continuous scroll
- > Adjustable flashing
- > Adjustable blanking
- > Binary inputs
- > 10-150VAC/DC inputs



C.E. Electronics, Inc.
C.E. Electronics, Ltd.
International Lift Equipment (ILE)

2107 Industrial Drive Bryan, OH 43506
Marlow, Bucks, UK
Highams Park, London, UK

ph: 419.636.6705

ph: +44 (0) 1628 487633
ph: 0208 527 9669

www.ceelectronics.com

www.ceelectronics.co.uk
www.ileweb.com



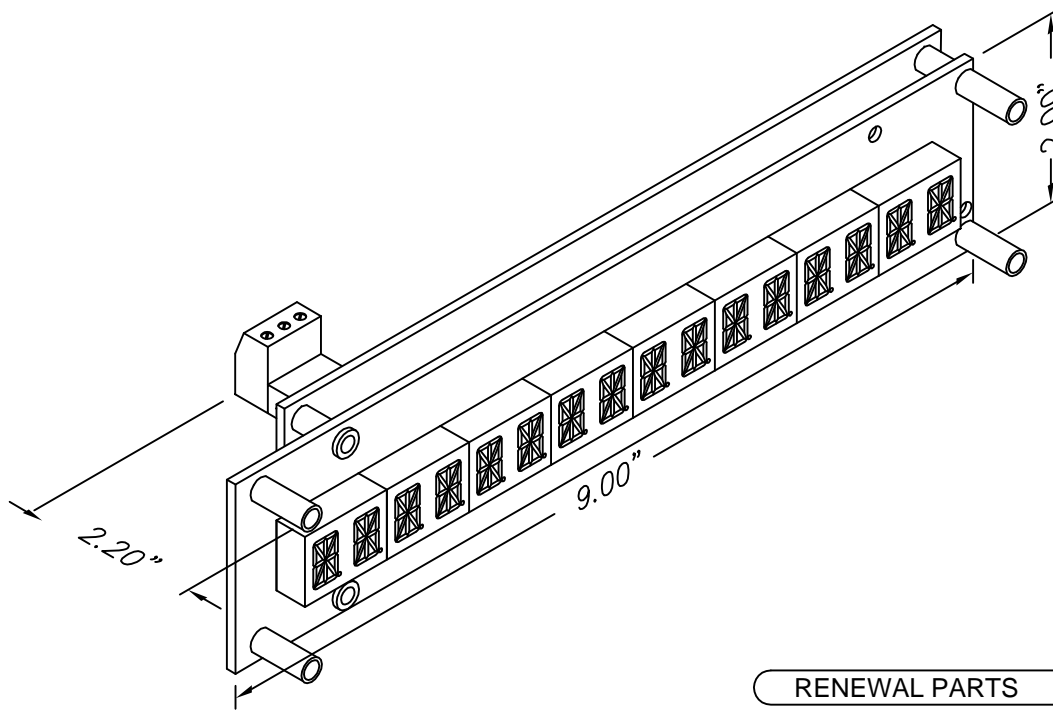


C.E. Electronics, Inc.
 2107 Industrial Drive
 Bryan, OH 43506
 PH (419) 636-6705 FX (419) 636-2516
 www.ceelectronics.com

MSL05-XXXX

Ver. 4 Rel. 4/02/2014

ACCESSORIES



RENEWAL PARTS

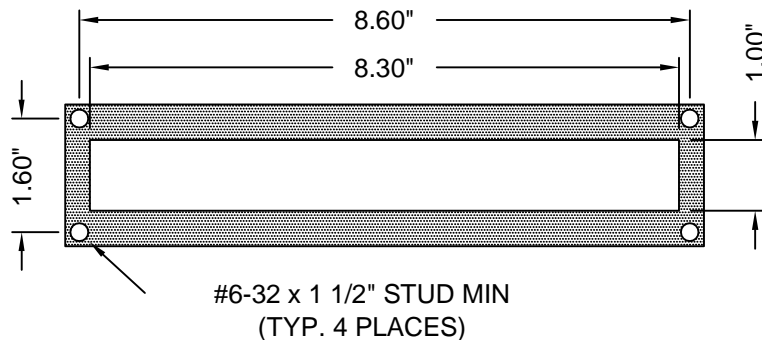
Lens: 104-5510 RED
 Lens: 104-6100 GRAY

SCROLLING MESSAGE DISPLAY

Versatile scrolling message displays any alphanumeric character within a .5 inch LED 16 digit screen. Various messages can be selected via binary inputs or through C.E.'s Micro Comm 3 wire network. When used with Mtime-x the time, date, and temperature can be displayed as part of a message or it can be shown in a static format. The display is capable of 63 different messages (119 characters per message max). The display is capable of continuous scrolling or can be programmed to scroll in and stop then flash.

Features:

- 63 messages
- Scroll in/Scroll out
- Continuous scroll
- Adjustable flashing
- Adjustable blanking
- Binary inputs
- 10-150VAC/DC inputs



TO ORDER - SPECIFY MSL05 - X X X X

COLOR:

"R" = RED
 "G" = GREEN
 "B" = BLUE

SIGNAL VOLTAGE:

"A" = POSITIVE 6-20VAC/DC, 24 VAC
 "B" = POSITIVE 24-48VDC, 48VAC
 "C" = POSITIVE 120VAC
 "D" = POSITIVE 125VDC
 "E" = NEGATIVE 6-20VDC
 "F" = NEGATIVE 24-48VDC
 "G" = NEGATIVE 125VDC
 "M" = MICRO COMM

LENS:

"R" = RED
 "G" = GRAY
 "X" = NO LENS

SIGNAL FORMAT:

"1" = SINGLE LINE / FLOOR
 "2" = BINARY
 "3" = UNITS & TENS
 "4" = GRAY CODE
 "5" = INVERTED BINARY
 "6" = SPECIAL
 "M" = MICRO COMM

NOTE:

If a special voltage is required, please consult factory.