

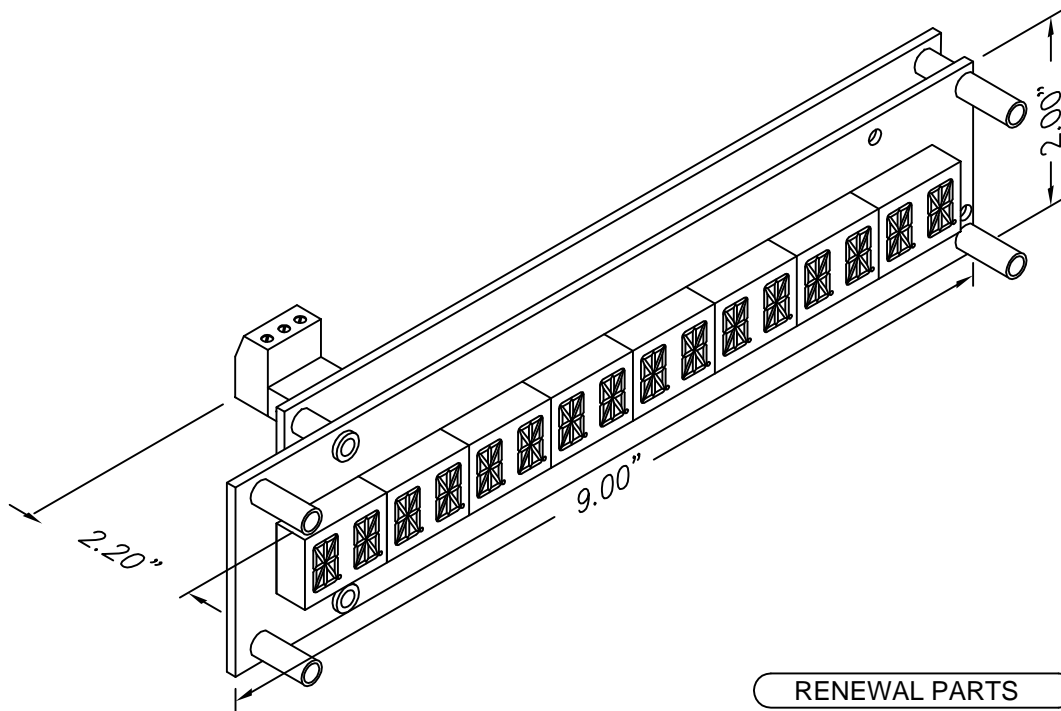


C.E. Electronics, Inc.  
 2107 Industrial Drive  
 Bryan, OH 43506  
 PH (419) 636-6705 FX (419) 636-2516  
 www.ceelectronics.com

# MSL05-XXXX

Ver. 4 Rel. 4/02/2014

ACCESSORIES



### RENEWAL PARTS

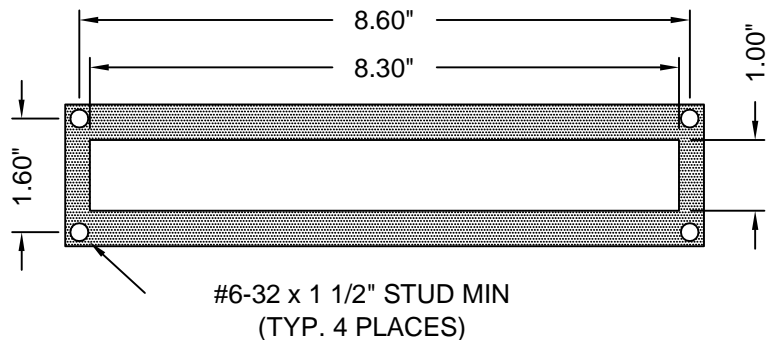
Lens: 104-5510 RED  
 Lens: 104-6100 GRAY

### SCROLLING MESSAGE DISPLAY

Versatile scrolling message displays any alphanumeric character within a .5 inch LED 16 digit screen. Various messages can be selected via binary inputs or through C.E.'s Micro Comm 3 wire network. When used with Mtime-x the time, date, and temperature can be displayed as part of a message or it can be shown in a static format. The display is capable of 63 different messages (119 characters per message max). The display is capable of continuous scrolling or can be programmed to scroll in and stop then flash.

### Features:

- 63 messages
- Scroll in/Scroll out
- Continuous scroll
- Adjustable flashing
- Adjustable blanking
- Binary inputs
- 10-150VAC/DC inputs



### TO ORDER - SPECIFY MSL05 - X X X X

#### COLOR:

"R" = RED  
 "G" = GREEN  
 "B" = BLUE

#### SIGNAL VOLTAGE:

"A" = POSITIVE 6-20VAC/DC, 24 VAC  
 "B" = POSITIVE 24-48VDC, 48VAC  
 "C" = POSITIVE 120VAC  
 "D" = POSITIVE 125VDC  
 "E" = NEGATIVE 6-20VDC  
 "F" = NEGATIVE 24-48VDC  
 "G" = NEGATIVE 125VDC  
 "M" = MICRO COMM

#### LENS:

"R" = RED  
 "G" = GRAY  
 "X" = NO LENS

#### SIGNAL FORMAT:

"1" = SINGLE LINE / FLOOR  
 "2" = BINARY  
 "3" = UNITS & TENS  
 "4" = GRAY CODE  
 "5" = INVERTED BINARY  
 "6" = SPECIAL  
 "M" = MICRO COMM

### NOTE:

If a special voltage is required, please consult factory.