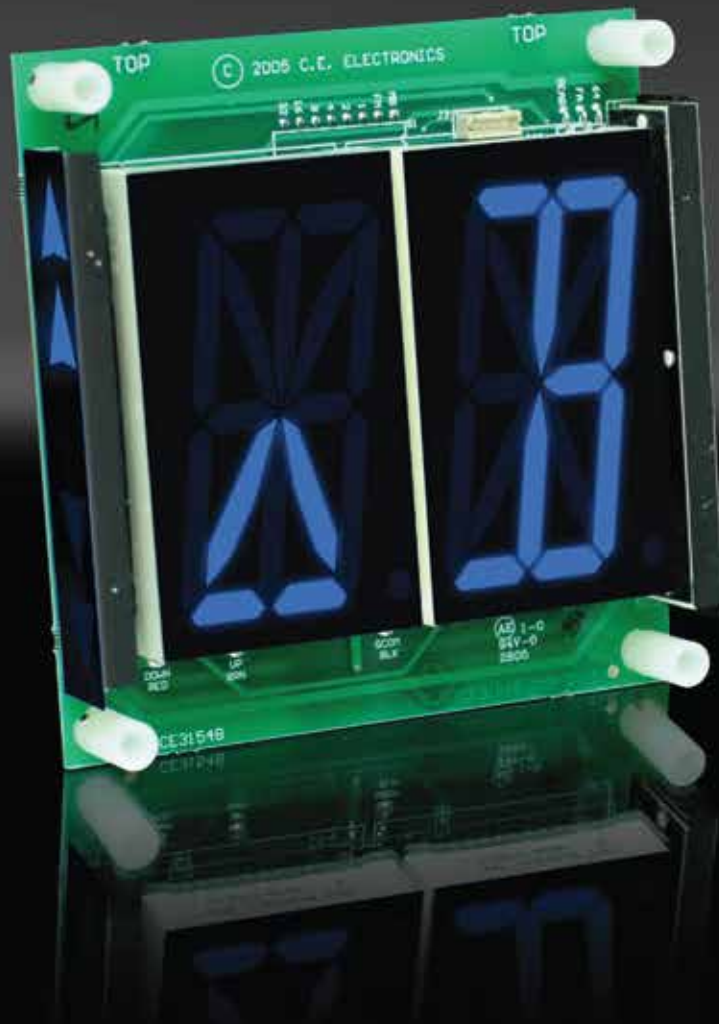




MS220A-XX

50mm SEGMENTED LED [2"] CHARACTERS



EUROPEAN SEGMENTED LED

Segmented LED, digital indicator for floor position display and direction with flashing side viewing arrows. Any alphanumeric character can be displayed.

TYPICAL APPLICATIONS:

- > Car-OP panel
- > Transom-car or hall

FEATURES:

- > Fast 3 wire hookup
- > Latched inputs
- > Self testing
- > Alternate message
- > Passing chime output
- > Error detection and correction



C.E. Electronics, Inc.

C.E. Electronics, Ltd.

International Lift Equipment (ILE)

2107 Industrial Drive Bryan, OH 43506

Marlow, Bucks, UK

Highams Park, London, UK

ph: 419.636.6705

ph: +44 (0) 1628 487633

ph: 0208 527 9669

www.cееlectronics.com

www.cееlectronics.co.uk

www.ileweb.com



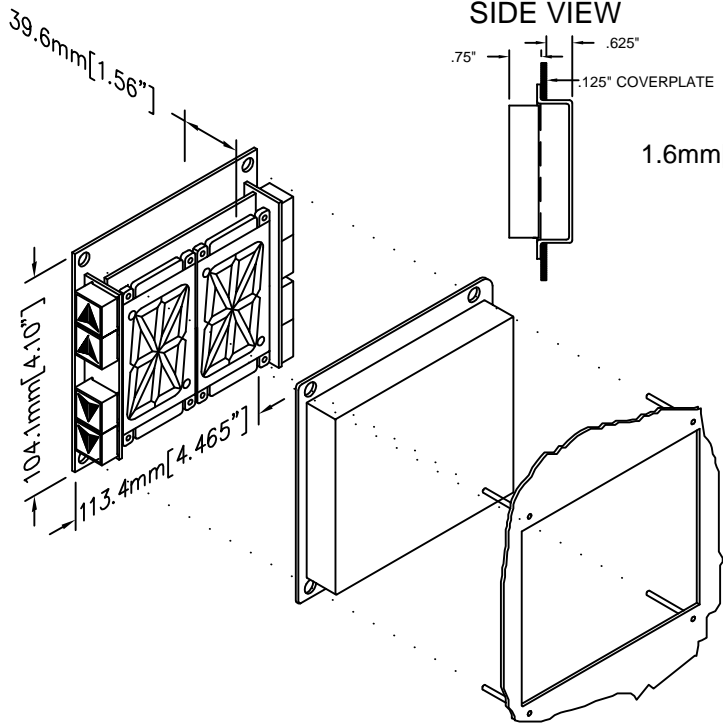


C.E. Electronics, Inc.
 2107 Industrial Drive
 Bryan, OH 43506
 PH (419) 636-6705 FX (419) 636-2516
 www.ccelectronics.com

MS220A-XX

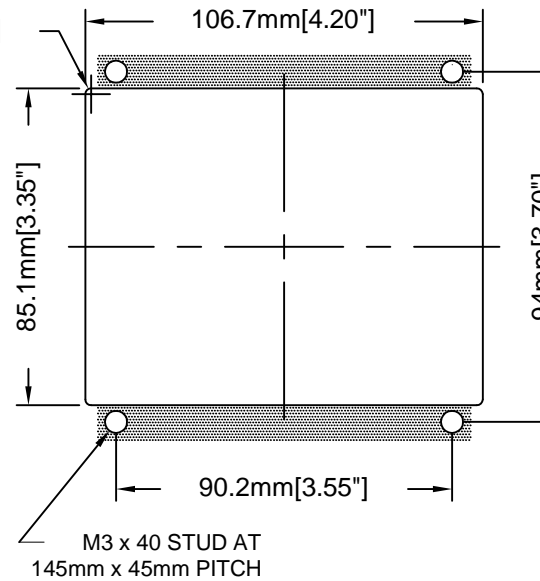
Ver. 1 Rel. 3/28/2014

EUROPEAN
 SERIES



SIDE VIEW

PANEL PREPARATION



CUTOUT TOLERANCE: +.50mm
 - 0.0

SEGMENTED LED

Segmented LED, digital indicator for floor position display and direction with side viewing arrows. Any alphanumeric character can be displayed.

Typical Applications:

- Car-OP Panel
- Transom-car or Hall

Features:

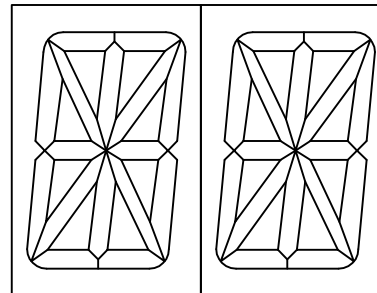
- Fast 3 wire hookup
- Latched inputs
- Self testing
- Alternate message
- Passing chime output
- Error detection and correction

RENEWAL PARTS

Lens: 104-6023 GRAY

INPUT CONNECTION

- ONLY THREE HOIST WIRES REQUIRED FROM "CCU" TO "RDI". PLUGGABLE TERMINAL BLOCK ACCOMMODATES A SECOND SET OF WIRES FOR "DAISY CHAINING" MULTIPLE RDI'S. NO ADDITIONAL UNIT POWER REQUIRED.



50mm [2"] CHARACTERS

TO ORDER - SPECIFY MS220A - X X

COLOR:

- "R" = RED CHARACTER, RED & GREEN ARROW
- "G" = GREEN CHARACTER, RED & GREEN ARROW
- "H" = GREEN CHARACTER, GREEN ARROW
- "B" = BLUE CHARACTER, BLUE ARROW
- "M" = BLUE CHARACTER, RED & GREEN ARROW
- "W" = WHITE CHARACTER, WHITE ARROW

LENS:

- "G" = GRAY
- "X" = NO LENS

NOTE:

1. This is not a stand alone unit. Must be used in conjunction with Micro Comm drivers.