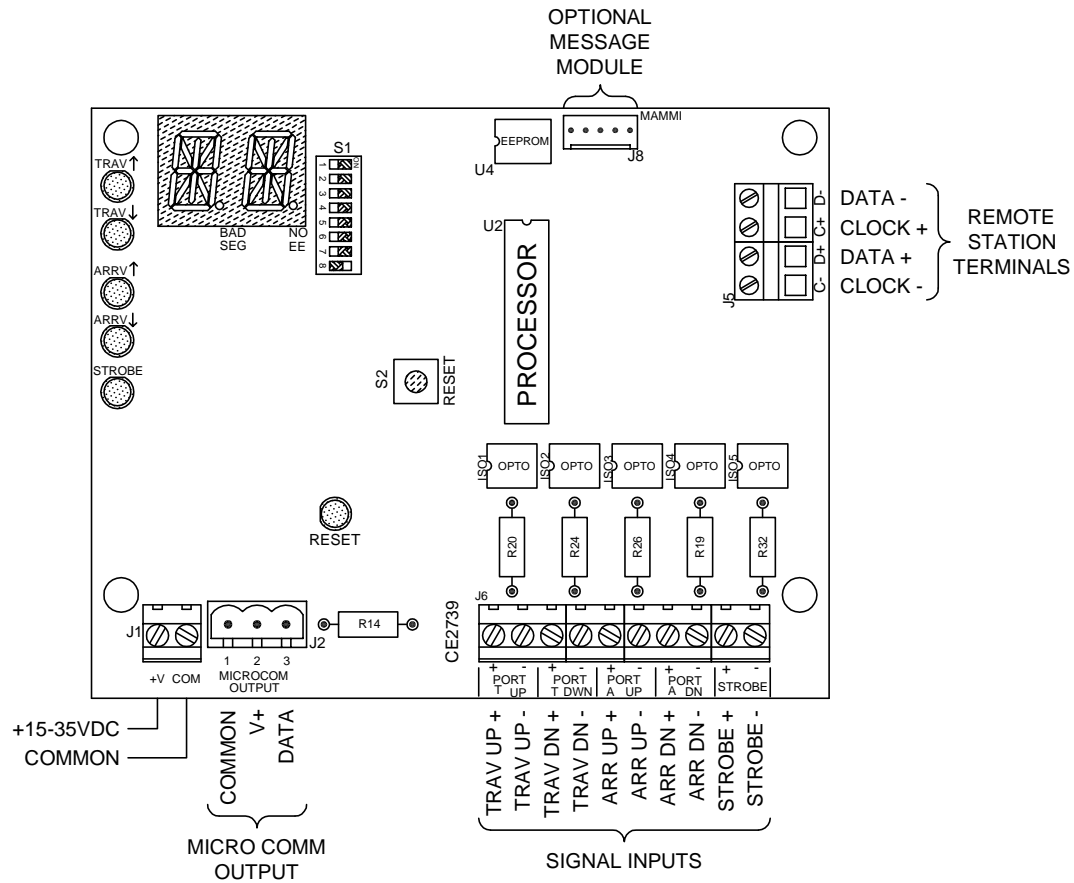


MOTIS-X

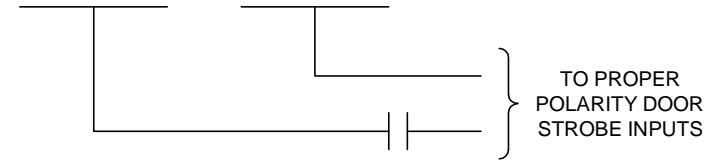
JOB# _____



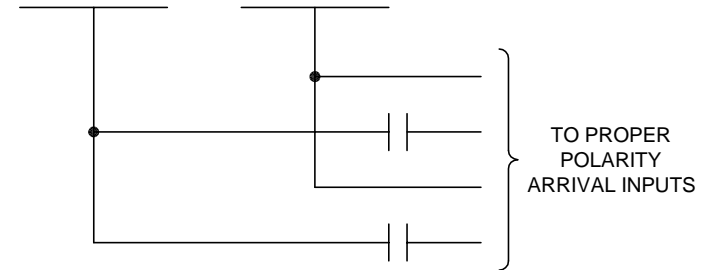
DATA -
CLOCK +
DATA +
CLOCK -

REMOTE STATION TERMINALS

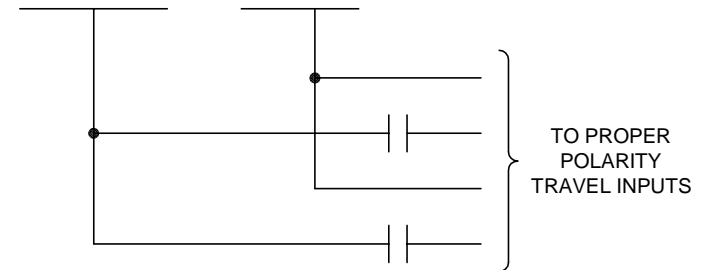
DOOR STROBE



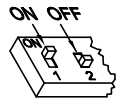
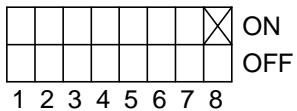
ARRIVAL INPUTS



TRAVEL INPUTS



DEFAULT SETTINGS



DIP SWITCH DETAIL

- 1 SELF-TEST MODE
- 2 SHOW MESSAGE
- 3 SHOW SCAN SLOT
- 4 READ REDUNDANCY
- 5 RESET IF CLOCK MISSING
- 6 PLAY STROBE INVERT
- 7 SLOW CLOCK INPUT
- 8 TX REDUNDANCY

CODE VERSION _____

BOARD VERSION CE2739 _____

DATE DRAWN: 08/10/06	DRAWN BY: DAC	REQUESTED BY: JK	C.E. ELECTRONICS, INC. 2107 Industrial Drive Bryan, Ohio 43306 (419) 636-6705
BOARD NUMBER: 2739	LAST DATE REVISED: -	APPROVED BY:	
PRODUCT MOTIS INTERFACE CARD			
DWG. NO. MOTIS007			REV: -