

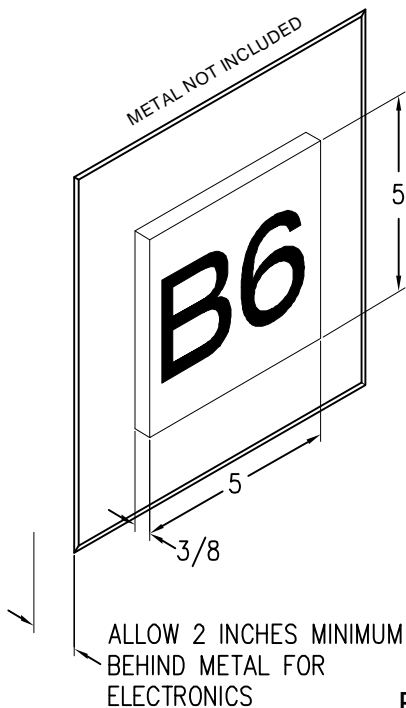


C.E. Electronics, Inc.
 2107 Industrial Drive
 Bryan, OH 43506
 PH (419) 636-6705 FX (419) 636-2516
 www.ceelectronics.com

MLBOX-XXX

Ver. 3 Rel. 6/14/2019

DESTINATION
 BASED



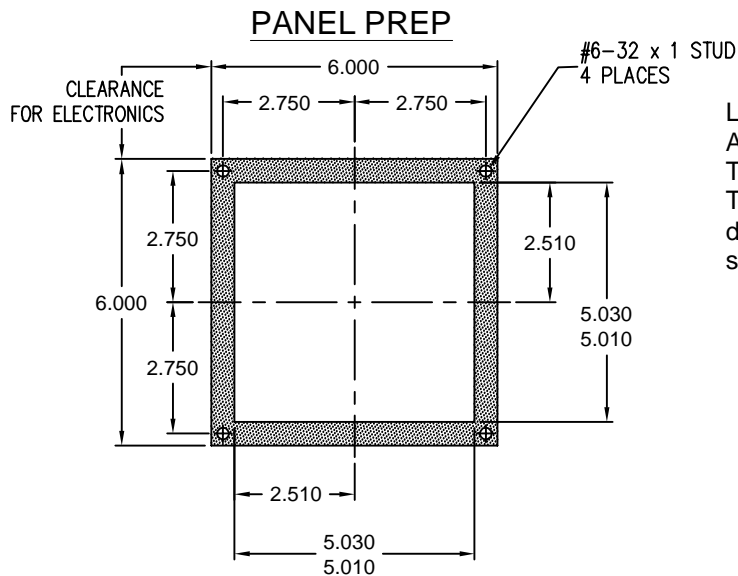
FRONT



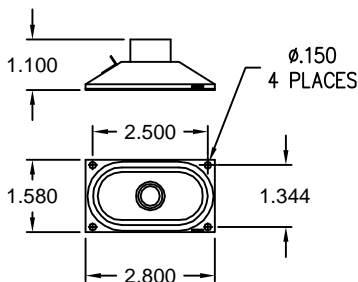
3 inch front letters
 INSIDE PN-11100233
 OUTSIDE PN-11100234

NOTE: Lead times vary and characters need to be specified.

~ Some features may not be available for your system. Please check with your manufacture or engineering for special features. ~



DESTINATION SPEAKER (9SPKRASY03)



MLBOX

LED EXTENDED DESTINATION CUBE

Long life, solid state LED's with a 100,000 hour rated life. Accepts existing signals over the MICRO COMM link. This has a raised lens giving you 180° viewing. The unit is also equipped with an arrival speaker and destination tones. The programming is dip switch selectable.

Typical Applications

- Hall/Destination Display
- 180° Viewing Angle

Features:

- 3" characters (Front View)
- 180° viewing angle lantern
- 1 year factory warranty
- Includes Speaker for tones (optional)
- MICRO COMM input
- Optional destination voice card - additional cost
 Note: when adding voice board, this will include our 9SPKRASY03 SPEAKER

TO ORDER: - SPECIFY MLBOX - X X X

"1" = 3" Characters

COLOR OPTIONS:

"W" = Warm White (main character) Red (down) Green (up)
 "A" = Amber (character) Red (down) Green (up)
 "B" = Blue (character) Red (down) Green (up)

"T" = Tones

"D" = Destination Voice w/Speaker