



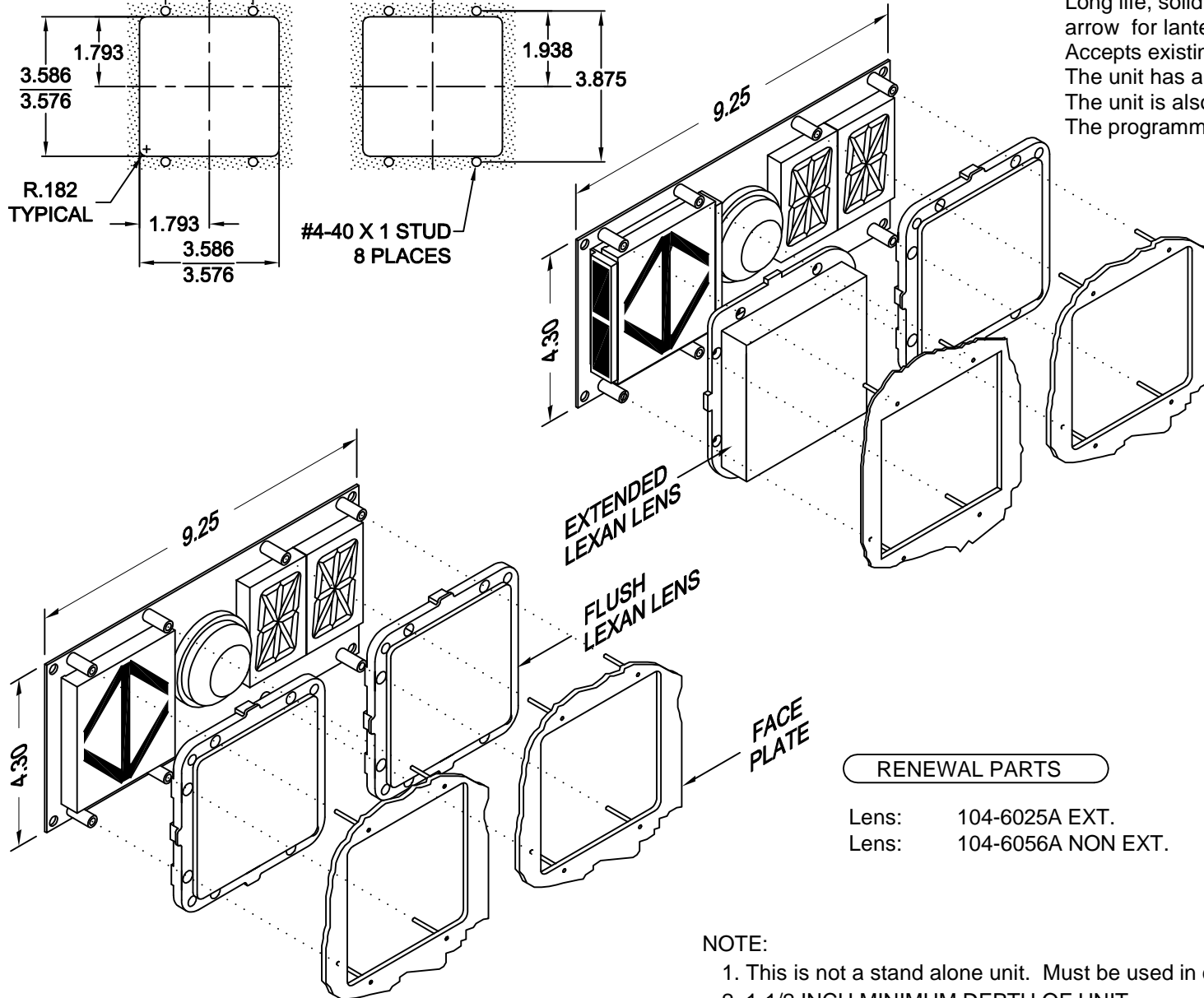
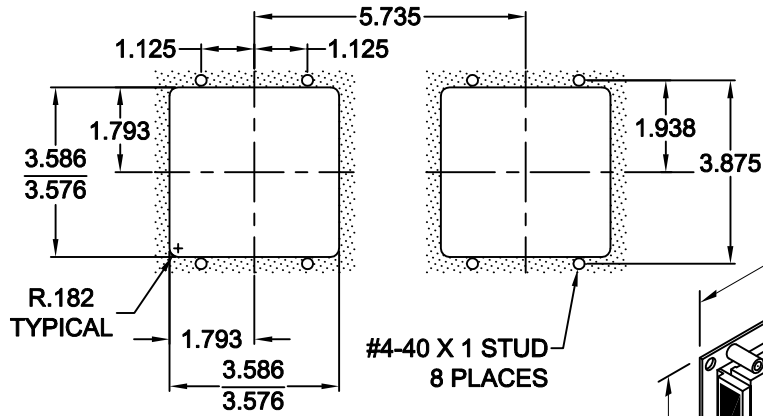
C.E. Electronics, Inc.  
 2107 Industrial Drive  
 Bryan, OH 43506  
 PH (419) 636-6705 FX (419) 636-2516  
 www.cееlectronics.com

# MHETC-XX

Ver. 7 Rel. 2/20/2014

MICRO COMM<sup>®</sup>  
 DISPLAYS

## PANEL PREPARATION



## MHETC-XX

### 3.0 INCH LED EXTENDED ARROW

Long life, solid state bi-color, solid white, solid blue arrow for lanterns, 100,000 hour rated life. Accepts existing signals over the Micro Comm link. The unit has a double digit 2 inch display with 3 inch arrow. The unit is also equipped with an arrival gong. The programming is dip switch selectable.

### Typical Applications

- Hall lanterns
- P.I. combo on extended version

### Features

- Bi-color red/green, solid blue or white 3 inch arrow
- 2 inch characters
- Solid side bar/arrow
- 1 year factory warranty
- Conforms to ADAAG 4.10.4
- Includes gong

### TO ORDER - SPECIFY MHETC-XX

E = EXTENDED  
 F = FLUSH

### RENEWAL PARTS

Lens: 104-6025A EXT.  
 Lens: 104-6056A NON EXT.

### LED COLOR:

"R" = RED digits, bicolor lantern  
 "G" = GREEN digits, bicolor lantern  
 "B" = BLUE digits, blue lantern  
 "W" = WHITE digits, white lantern

### NOTE:

1. This is not a stand alone unit. Must be used in conjunction with a Micro Comm interface.
2. 1-1/2 INCH MINIMUM DEPTH OF UNIT