



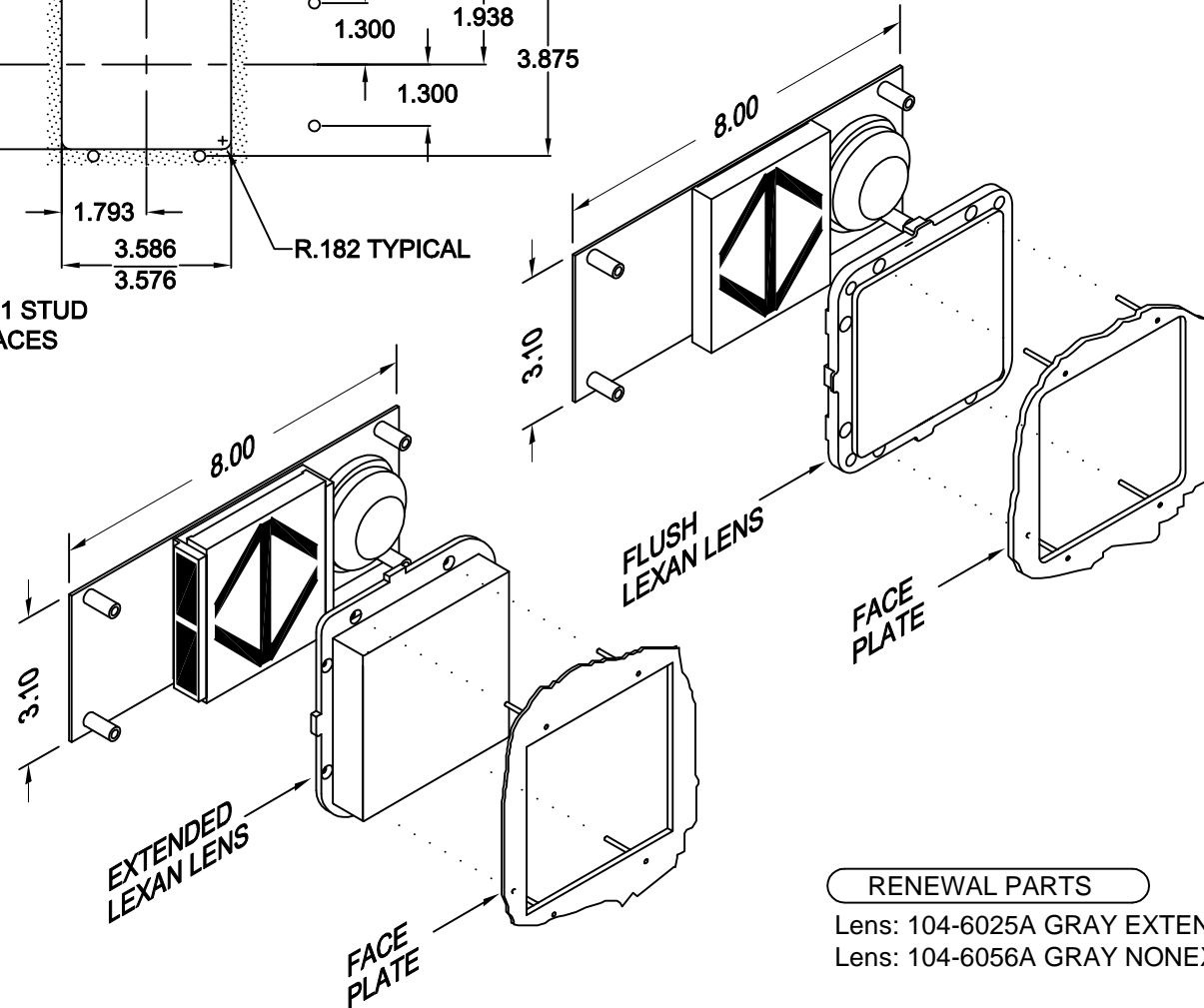
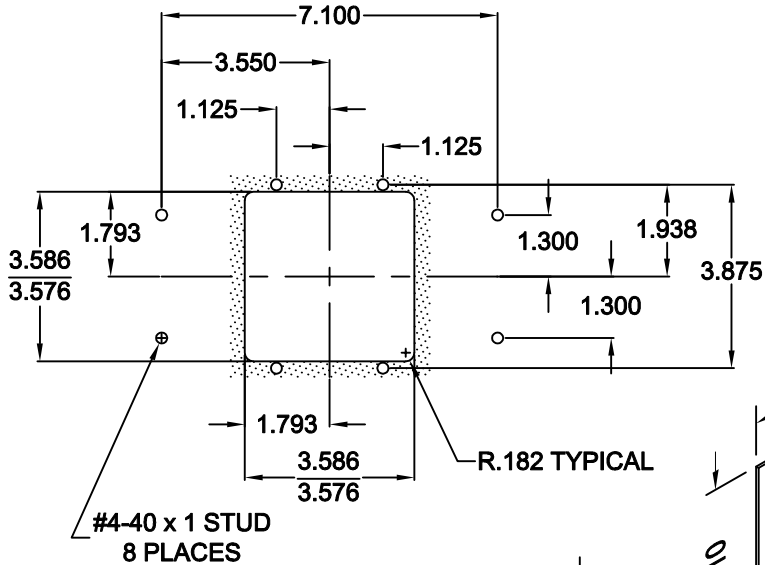
C.E. Electronics, Inc.
 2107 Industrial Drive
 Bryan, OH 43506
 PH (419) 636-6705 FX (419) 636-2516
 www.ceelectronics.com

MH911-XXX

Ver. 8 Rel. 11/03/2016

MICRO COMM[®]
 DISPLAYS

PANEL PREPARATION



MH911-XXX

3.0 INCH LED EXTENDED ARROW

Long life, solid state bi-color, blue or white arrow for lanterns. Accepts MicroComm 3 wire. The bi-color arrow is green for up and red for down or solid blue or solid white.

Typical applications:

- Hall or car lanterns.

Features:

- Ultra-thin packaging
- Red down/green up or solid blue, or solid white
- Fast MicroComm 3-wire hookup
- Conforms to ADAAG 4.10.4

TO ORDER - SPECIFY MH911-XXX

E = EXTENDED
 F = FLUSH

LENS:
 G = GRAY
 X = NONE

COLOR:
 <BLANK> = BI-COLOR
 "B" = BLUE
 "W" = WHITE

RENEWAL PARTS

Lens: 104-6025A GRAY EXTENDED
 Lens: 104-6056A GRAY NONEXTENDED

NOTE:

1. This is not a stand alone unit. Must be used in conjunction with a Micro Comm interface.
2. 1-3/8 INCH MINIMUM DEPTH OF UNIT